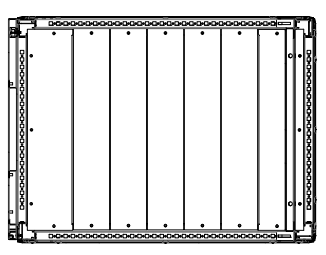
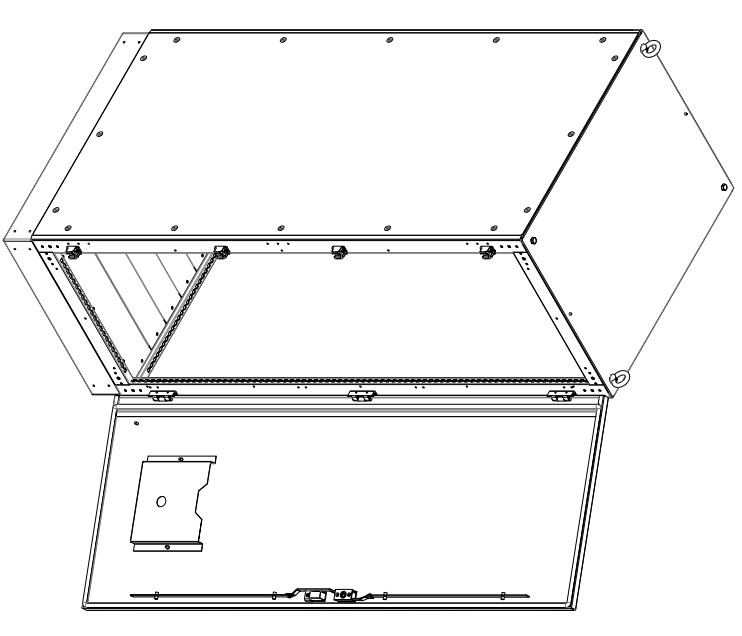
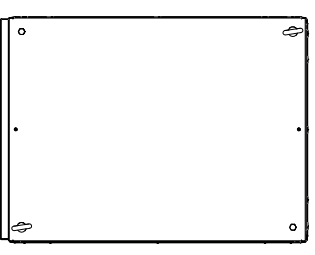


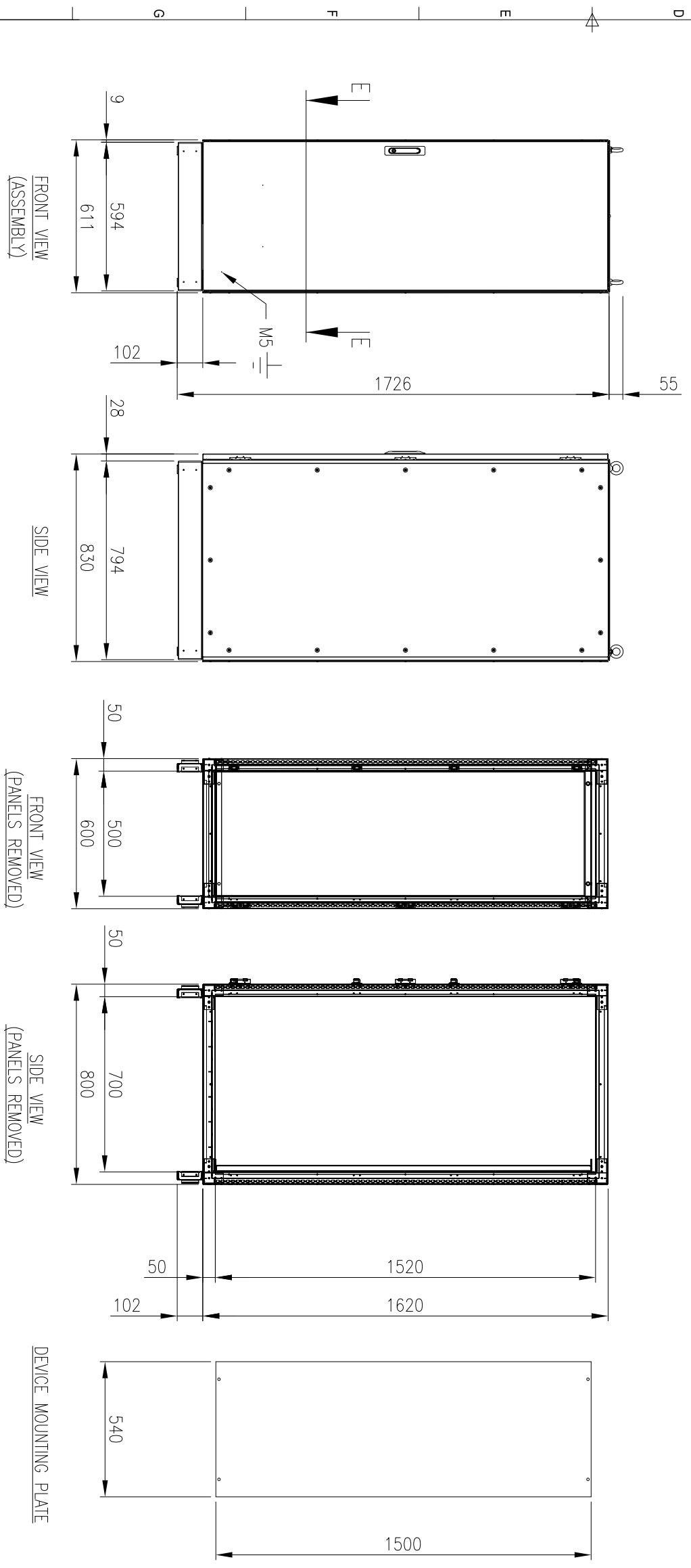
| RevNo | Revision note | Date | Signature | Checked |
|-------|------------------|--------|-----------|---------|
| 1 | GENERAL REVISION | 9/7/19 | IP | IP |



SECTION E-E



TOP VIEW



MATERIAL
 MAIN FRAME: 2.0mm GALVANISED STEEL PROFILE
 PANELS: 1.2mm POWDERCOATED GALVANISED SHEET
 DOOR: 2.0mm POWDERCOATED GALVANISED STEEL
 MOUNTING PLATE: 2.0mm GALVANISED STEEL SHEET
 SEAL: EPDM
 SURFACE TREATMENT: POWDER-COAT 80-120micron
 STANDARD COLOUR: RAL7035

PROTECTION: IP55 IK10
STANDARD: IEC62208, IEC/EN/AS60529

ORDERING INFORMATION:
 - ENCLOSURE: IP-MFS1626080
 - SIDE PANEL: IP-MFSP16280
 - MOUNTING PLATE: IP-MFSM16260
 - BASE: IP-MFSB6080

| Item# | Quantity | PartName, designation, material, dimension etc. | Article No./Reference | Scale |
|-------|----------|---|-----------------------|-------|
| IP | | 1620x600x800 STEEL FREESTANDING | | 1:20 |
| IP | | IP-MFS1626080 | | 1/1" |

© IP ENCLOSURES 2017.
 THIS DRAWING SHALL NOT BE COPIED OR REPRODUCED
 WITHOUT AUTHORISATION FROM IP ENCLOSURES.
 www.ipenclosures.com.au

