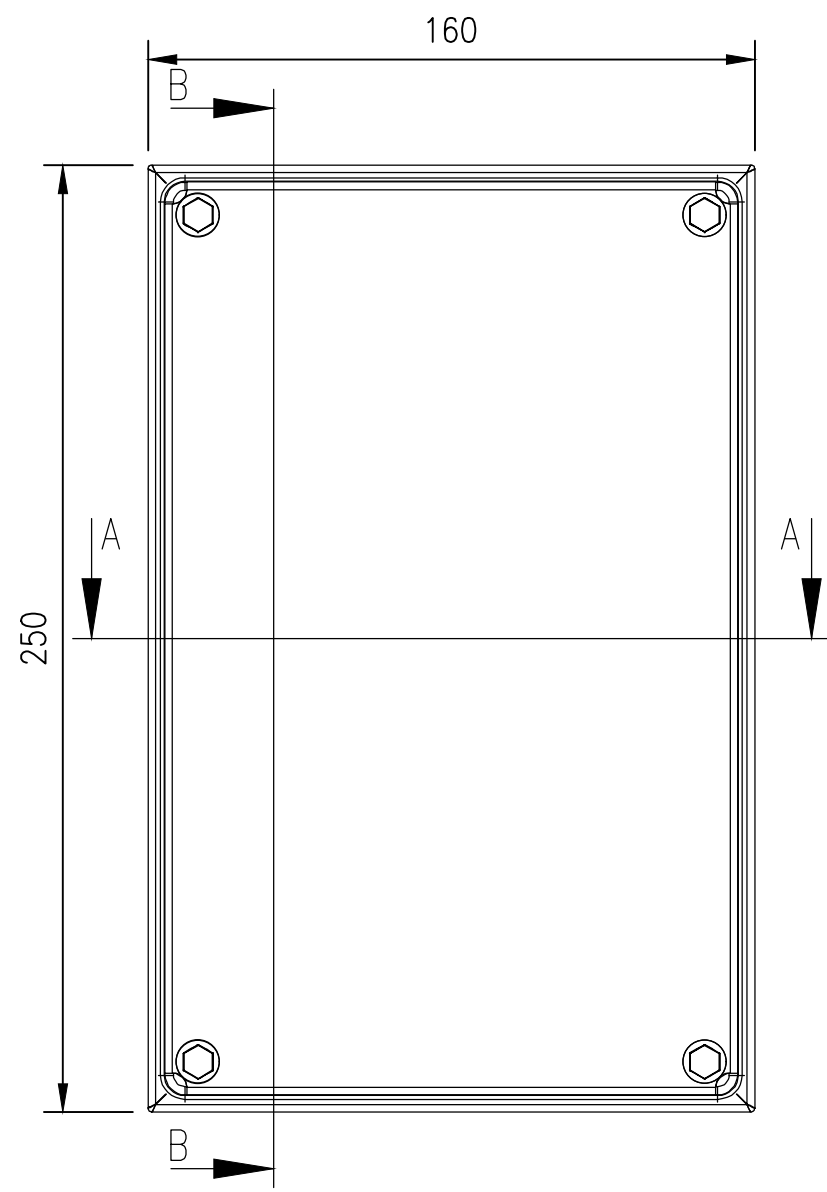
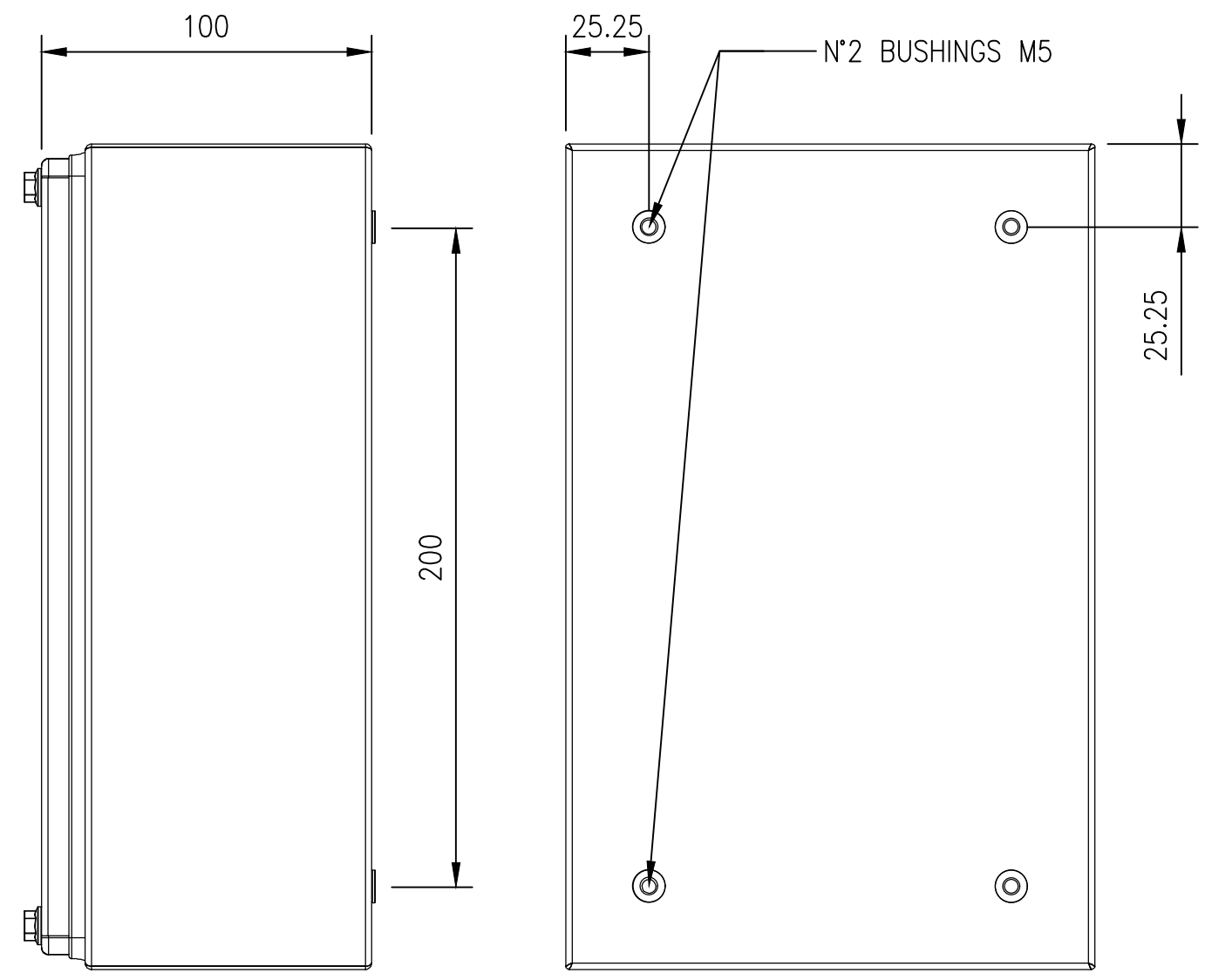


| RevNo | Revision note | Date | Signature | Checked |
|-------|------------------|------|-----------|---------|
| 0 | GENERAL REVISION | | IP | IP |

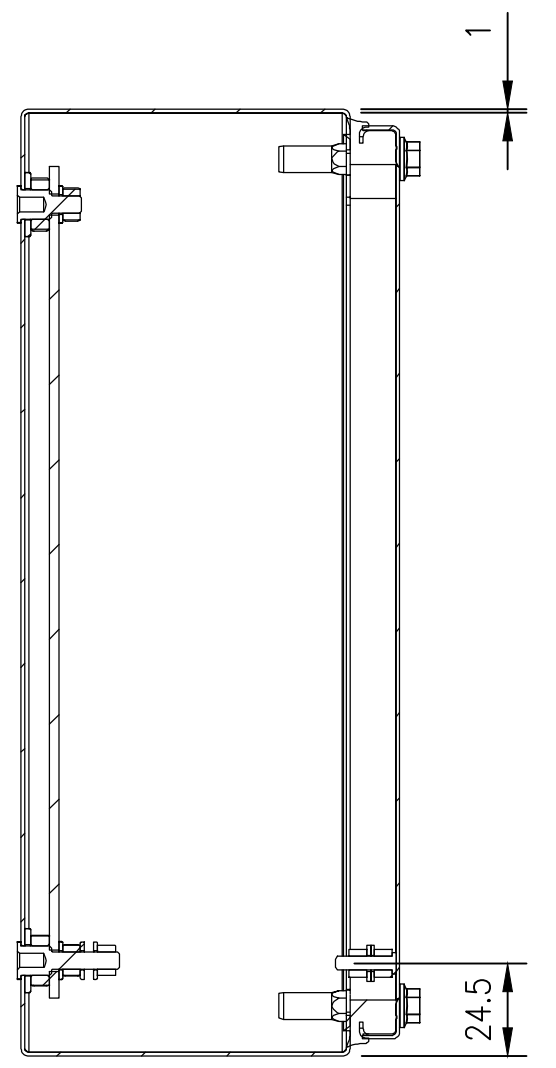


FRONT VIEW

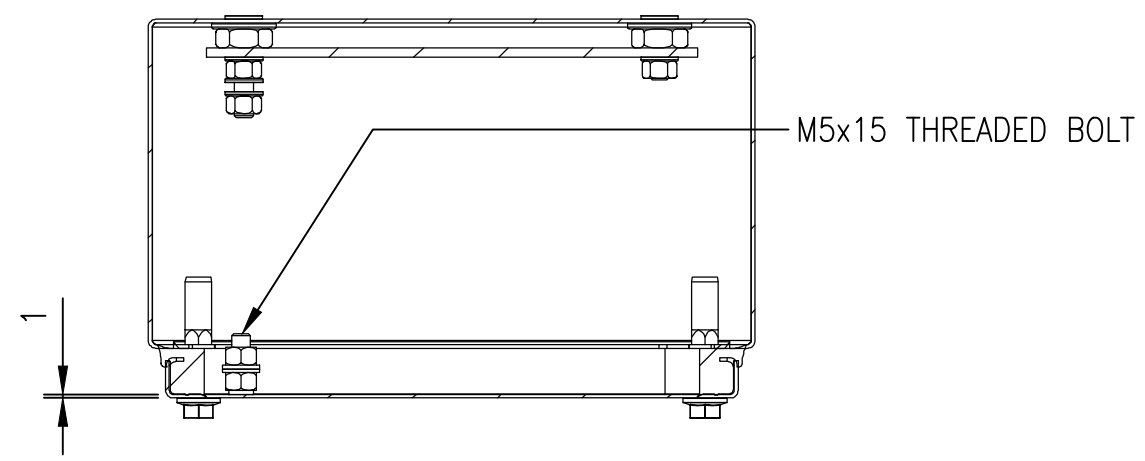


RIGHT SIDE VIEW

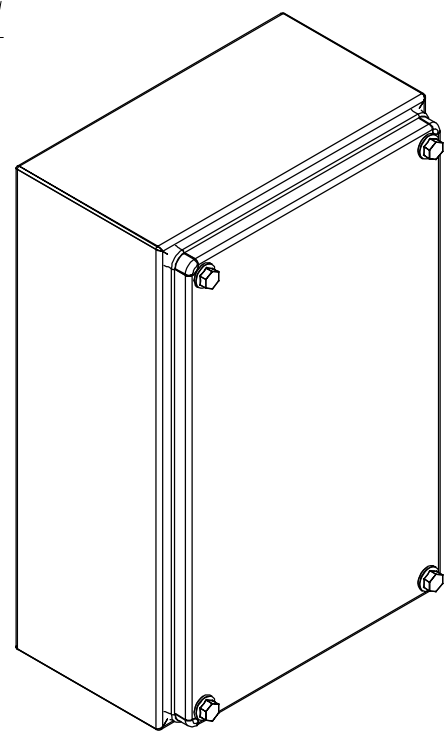
REAR VIEW



SECTION B-B



SECTION A-A



MATERIAL
 BODY: 1.0mm 304 STAINLESS STEEL
 COVER: 1.0mm 304 STAINLESS STEEL
 SEAL: BLUE SILICONE

PROTECTION: IP66 IK08, IP69K,
 NEMA TYPE 1, 12, 4, 4x

© IP ENCLOSURES 2023.
 THIS DRAWING SHALL NOT BE COPIED OR REPRODUCED
 WITHOUT AUTHORISATION FROM IP ENCLOSURES.
 www.ipenclosures.com.au

| Itemref | Quantity | Title/Name, designation, material, dimension etc | Article No./Reference |
|---------------------|----------|--|-----------------------------|
| IP | 1 | 250x160x100 IP69K TERMINAL BOX | IP-HTB2516 |
| Designed by IP | | Checked by IP | Approved by - date 17/04/23 |
| Filename IP-HTB2516 | | Date 17/04/23 | Scale 1:2 |
| Edition 0 | | Sheet 1/1 | |