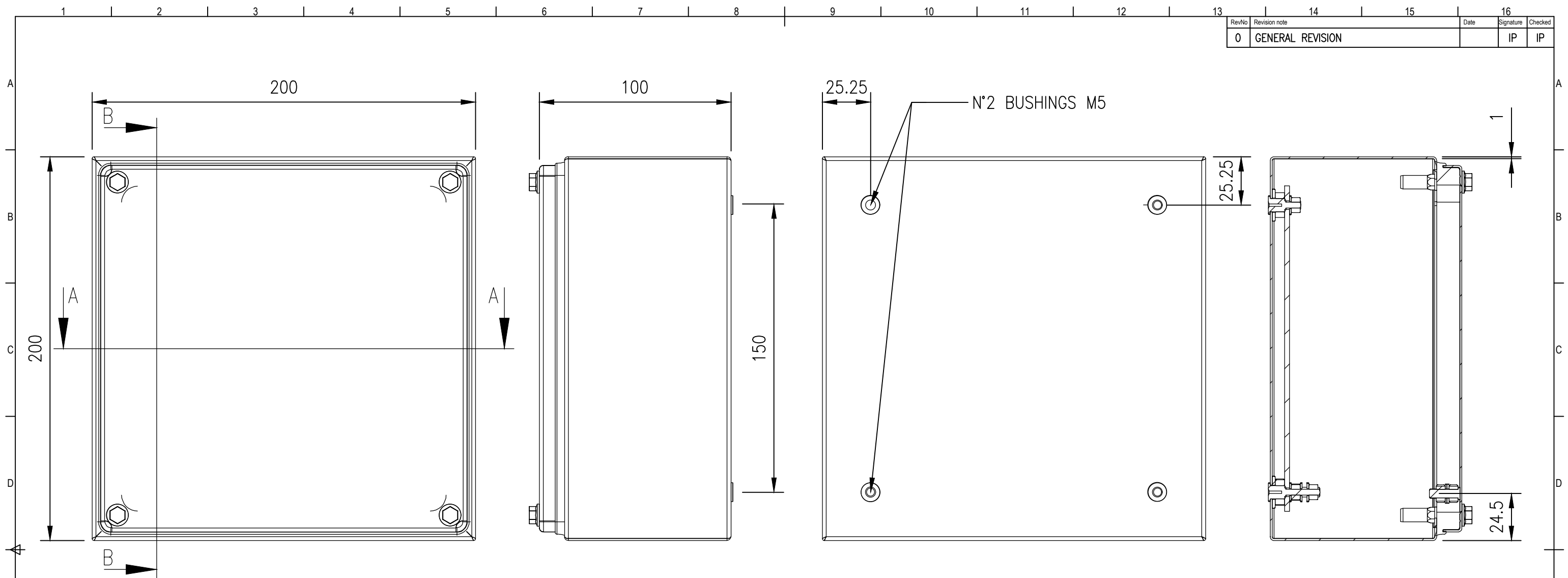


RevNo	Revision note	Date	Signature	Checked
0	GENERAL REVISION		IP	IP

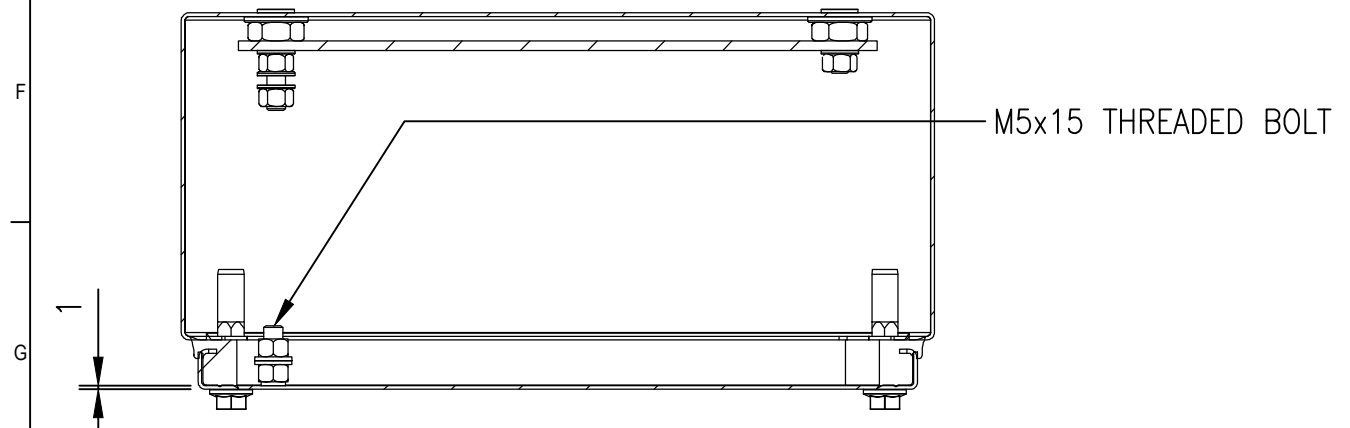


FRONT VIEW

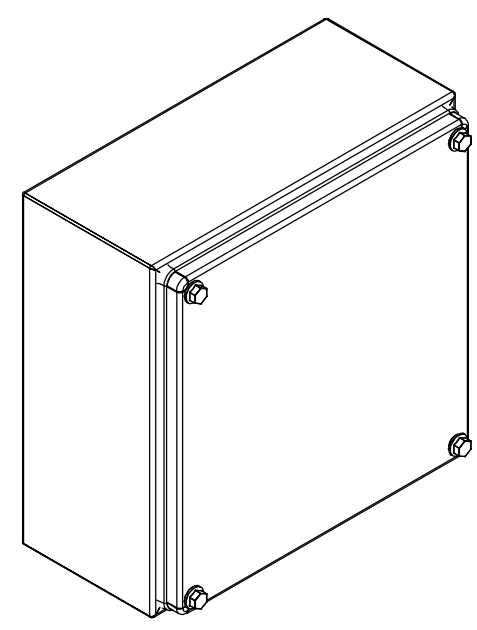
RIGHT SIDE VIEW

REAR VIEW

SECTION B-B



SECTION A-A



MATERIAL
 BODY: 1.0mm 304 STAINLESS STEEL
 COVER: 1.0mm 304 STAINLESS STEEL
 SEAL: BLUE SILICONE

PROTECTION: IP66 IK08, IP69K,
 NEMA TYPE 1, 12, 4, 4x

© IP ENCLOSURES 2023.
 THIS DRAWING SHALL NOT BE COPIED OR REPRODUCED
 WITHOUT AUTHORISATION FROM IP ENCLOSURES.
 www.ipenclosures.com.au

Itemref	Quantity	Title/Name, designation, material, dimension etc	Article No./Reference
IP	1	200x200x100 IP69K TERMINAL BOX	IP-HTB2020
Designed by	Checked by	Approved by - date	Filename
IP	IP	17/04/23	IP-HTB2020
Date	Scale	Edition	
17/04/23	1:2	0	
Sheet		Sheet	
1/1		1/1	