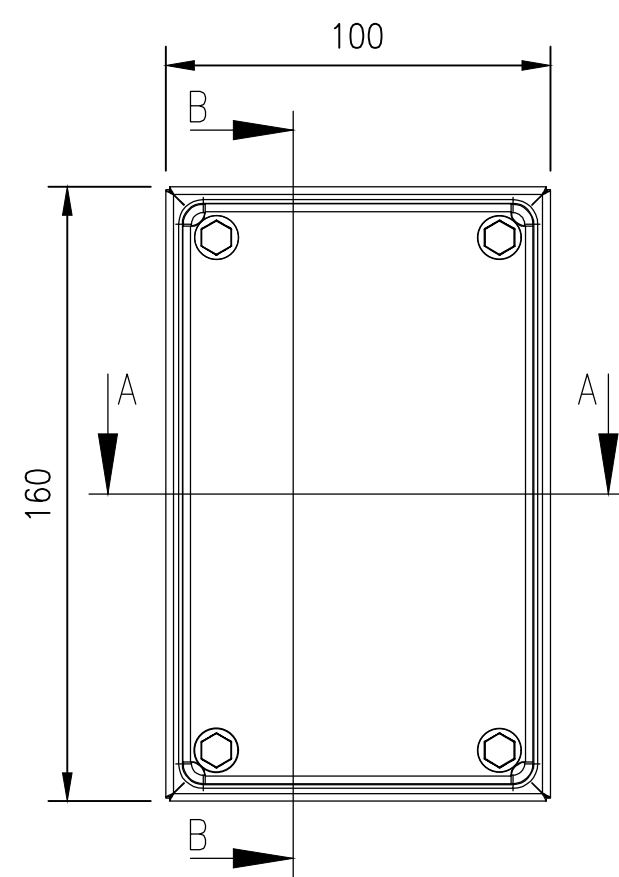
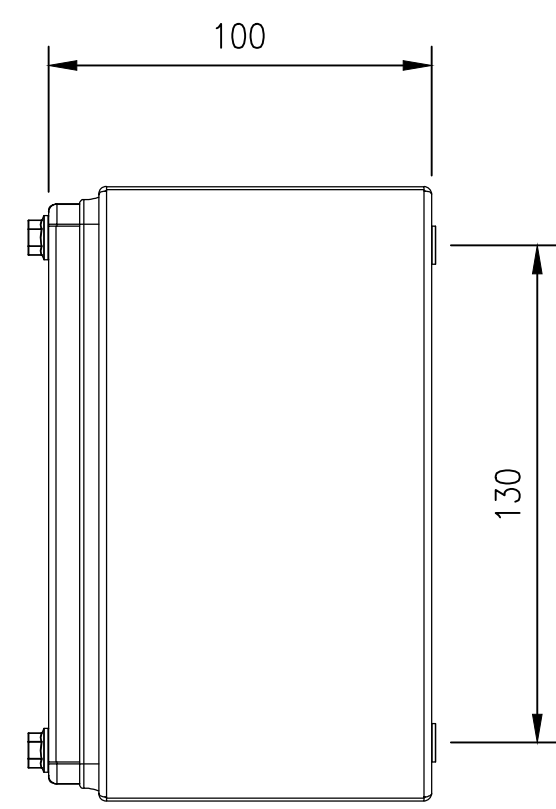


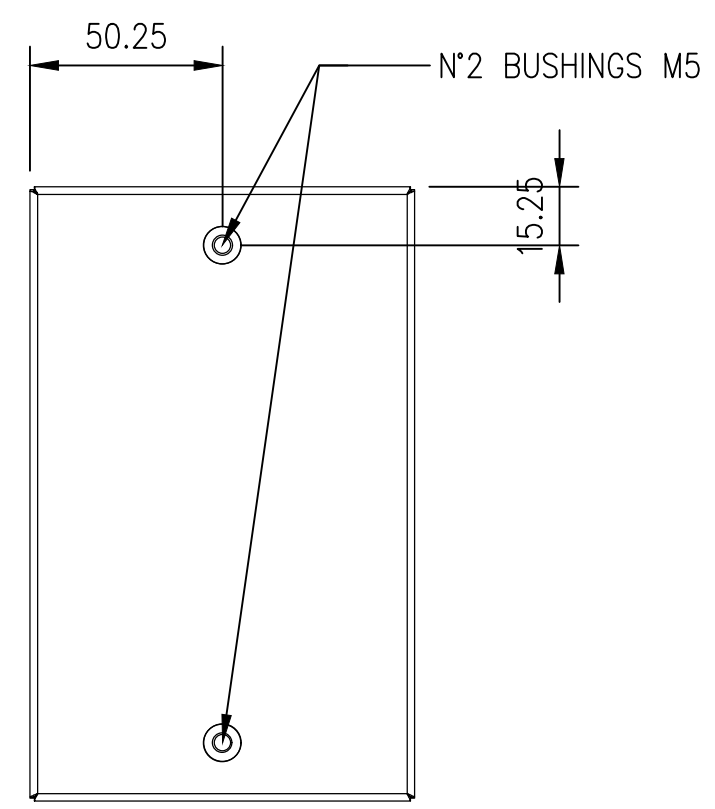
RevNo	Revision note	Date	Signature	Checked
0	GENERAL REVISION		IP	IP



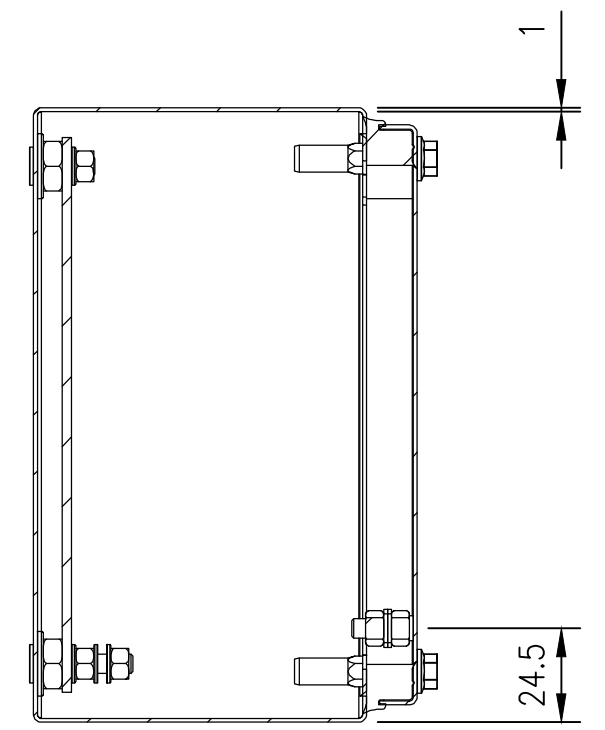
FRONT VIEW



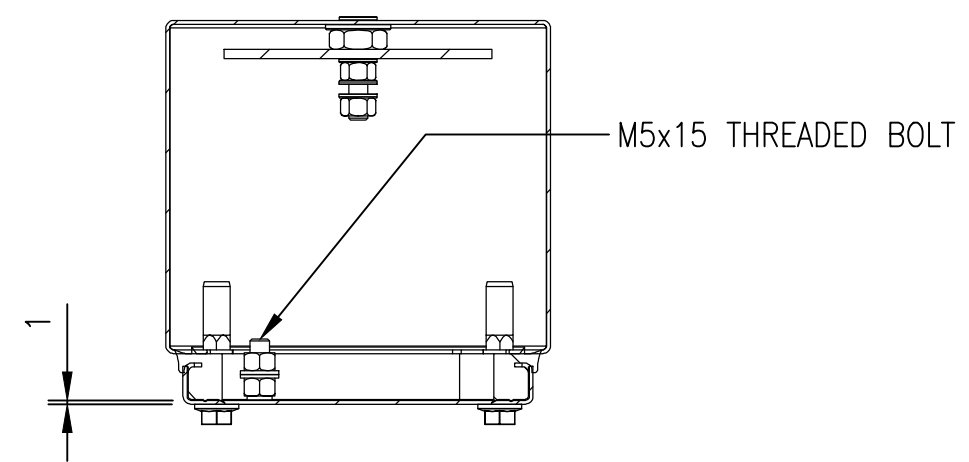
RIGHT SIDE VIEW



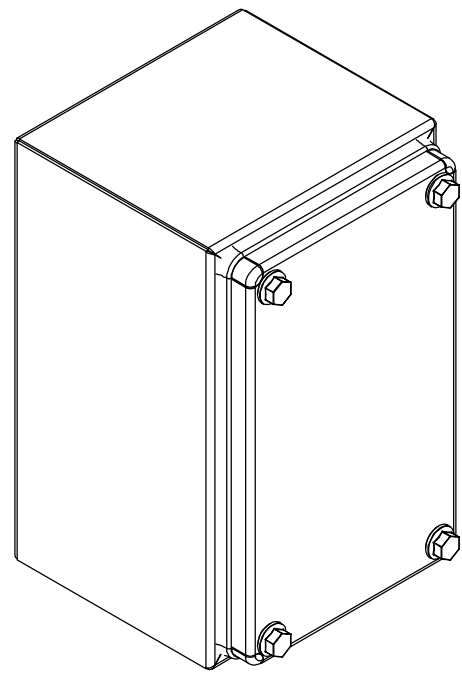
REAR VIEW



SECTION B-B



SECTION A-A



**MATERIAL**  
 BODY: 1.0mm 304 STAINLESS STEEL  
 COVER: 1.0mm 304 STAINLESS STEEL  
 SEAL: BLUE SILICONE

**PROTECTION:** IP66 IK08, IP69K,  
 NEMA TYPE 1, 12, 4, 4x

© IP ENCLOSURES 2023.  
 THIS DRAWING SHALL NOT BE COPIED OR REPRODUCED  
 WITHOUT AUTHORISATION FROM IP ENCLOSURES.  
 www.ipenclosures.com.au

Itemref	Quantity	Title/Name, designation, material, dimension etc	Article No./Reference
IP	1	160x100x100 IP69K TERMINAL BOX	IP-HTB1610
Designed by	Checked by	Approved by - date	Filename
IP	IP	04/04/23	IP-HTB1610
Date	Scale	Edition	
04/04/23	1:2	0	Sheet
IP-HTB1610		1	1/1