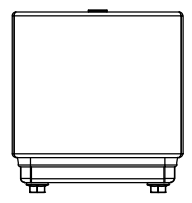
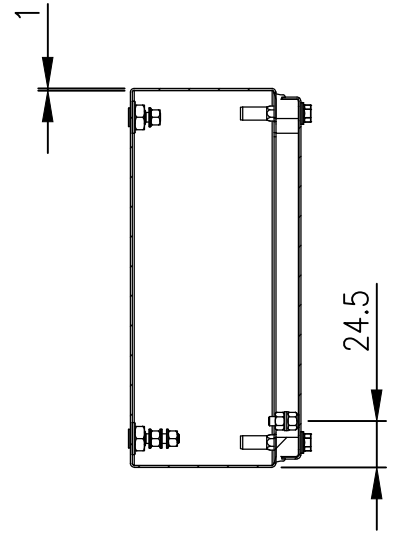
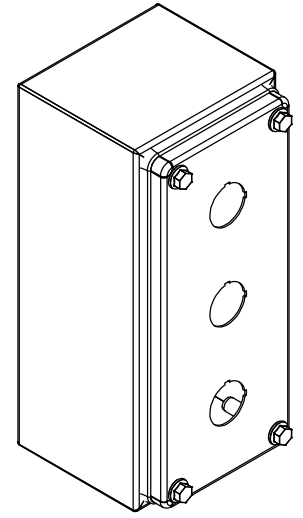


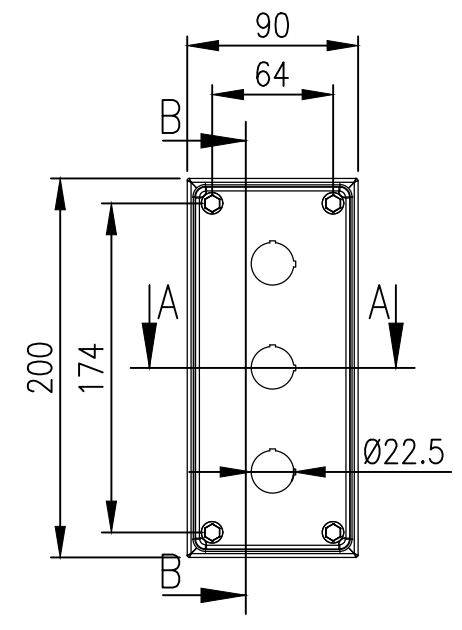
RevNo	Revision note	Date	Signature	Checked
0	GENERAL REVISION		IP	IP



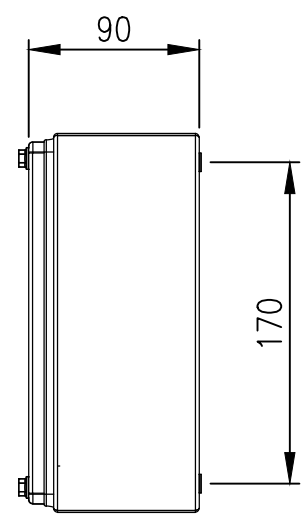
TOP VIEW



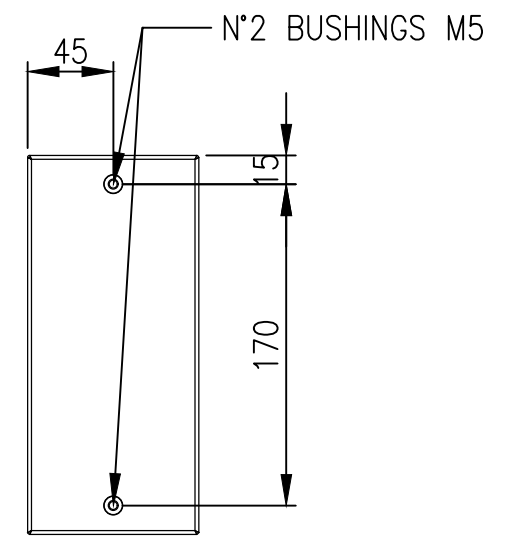
SECTION B-B



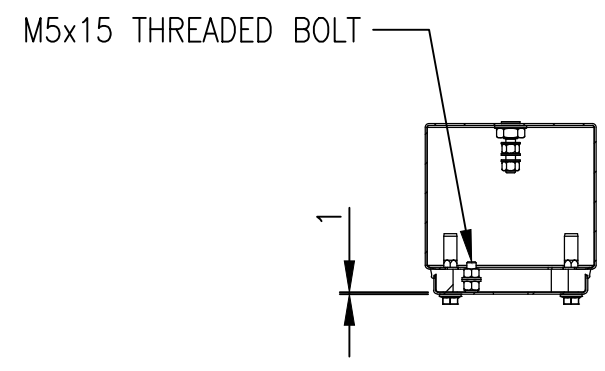
FRONT VIEW



RIGHT SIDE VIEW



REAR VIEW



BOTTOM VIEW

MATERIAL
 BODY: 1.0mm 304 STAINLESS STEEL
 COVER: 1.0mm 304 STAINLESS STEEL
 SEAL: BLUE SILICONE

PROTECTION: IP66 IK08, IP69K,
 NEMA TYPE 1, 12, 4, 4x

© IP ENCLOSURES 2023.
 THIS DRAWING SHALL NOT BE COPIED OR REPRODUCED
 WITHOUT AUTHORISATION FROM IP ENCLOSURES.
 www.ipenclosures.com.au

Itemref	Quantity	Title/Name, designation, material, dimension etc		Article No./Reference	
Designed by IP	Checked by IP	Approved by - date 21/03/23	Filename IP-HPB3	Date 21/03/23	Scale 1:4
			200x90x90 304SS PUSHBUTTON ENCLOSURE		
IP-HPB3			Edition 0	Sheet 1/1	