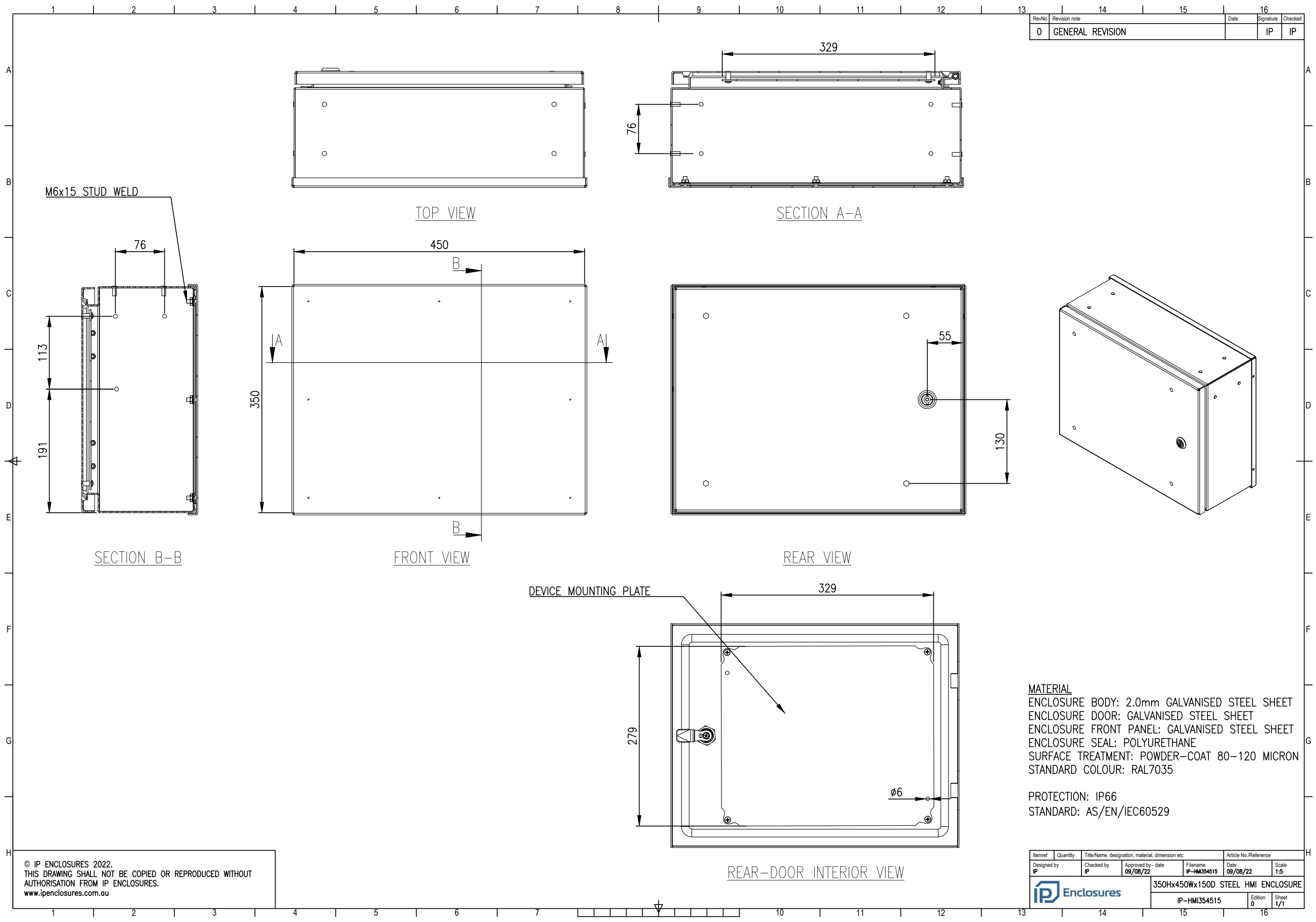


| RevNo | Revision note | Date | Signature | Checked |
|-------|------------------|------|-----------|---------|
| 0 | GENERAL REVISION | | IP | IP |



MATERIAL
ENCLOSURE BODY: 2.0mm GALVANISED STEEL SHEET
ENCLOSURE DOOR: GALVANISED STEEL SHEET
ENCLOSURE FRONT PANEL: GALVANISED STEEL SHEET
ENCLOSURE SEAL: POLYURETHANE
SURFACE TREATMENT: POWDER-COAT 80-120 MICRON
STANDARD COLOUR: RAL7035

PROTECTION: IP66
STANDARD: AS/EN/IEC60529

© IP ENCLOSURES 2022.
THIS DRAWING SHALL NOT BE COPIED OR REPRODUCED WITHOUT
AUTHORISATION FROM IP ENCLOSURES.
www.ipenclosures.com.au

| Itemref | Quantity | Title/Name, designation, material, dimension etc | Article No./Reference |
|-------------------|------------------|--|------------------------------------|
| Designed by IP | Checked by IP | Approved by - date 09/08/22 | Filename IP-HMI354515 |
| Date 09/08/22 | | Scale 1:5 | |
| IP Enclosures | | | 350Hx450Wx150D STEEL HMI ENCLOSURE |
| IP-HMI354515 | | | Edition 0 |
| | | | Sheet 1/1 |