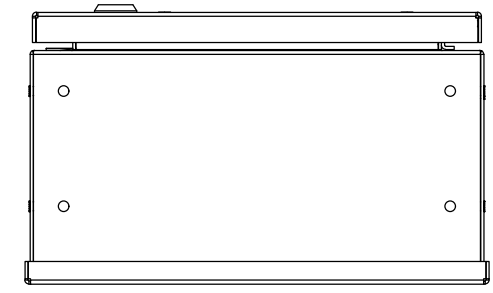
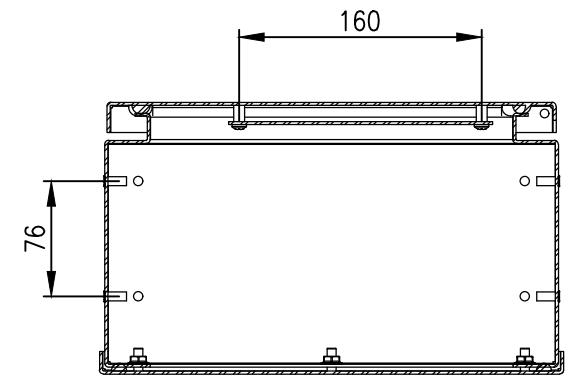


RevNo	Revision note	Date	Signature	Checked
0	GENERAL REVISION		IP	IP

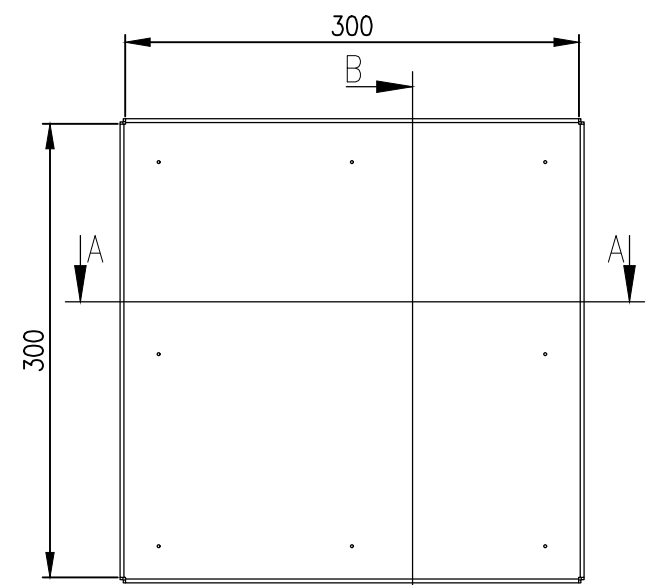
A
B
C
D
E
F
G
H



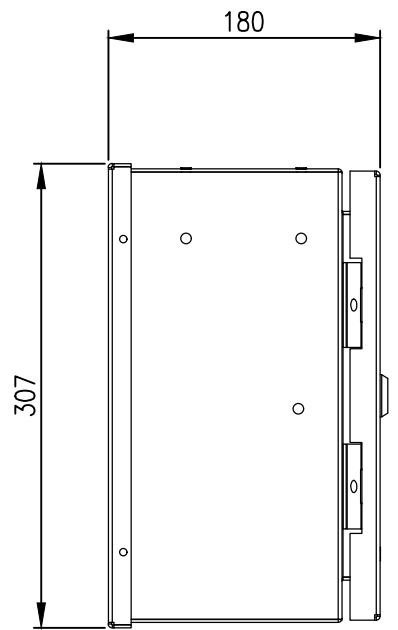
TOP VIEW



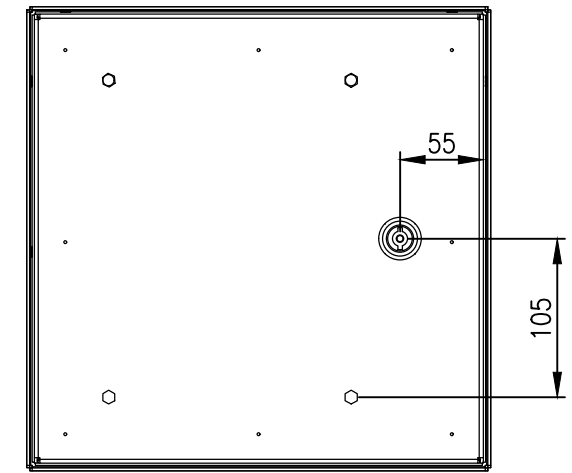
SECTION A-A



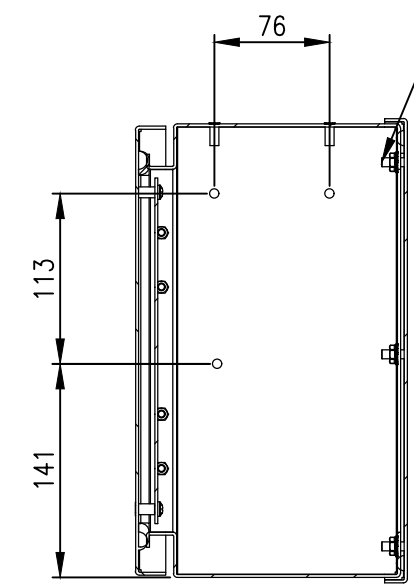
FRONT VIEW



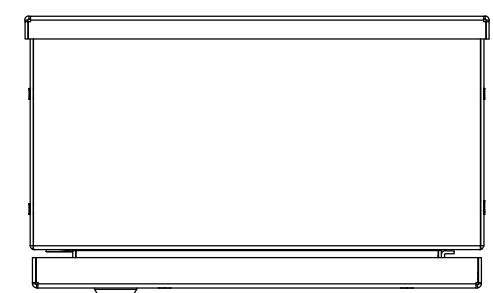
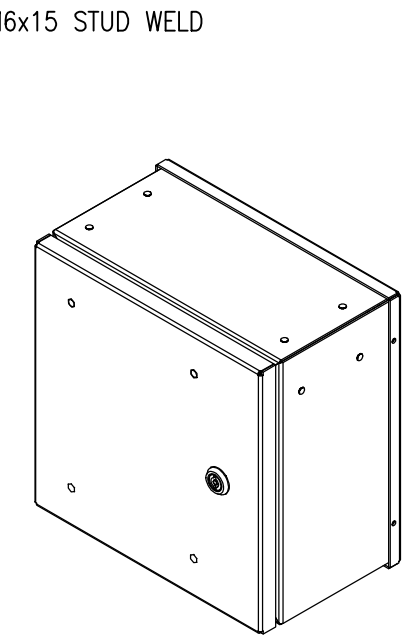
RIGHT SIDE VIEW



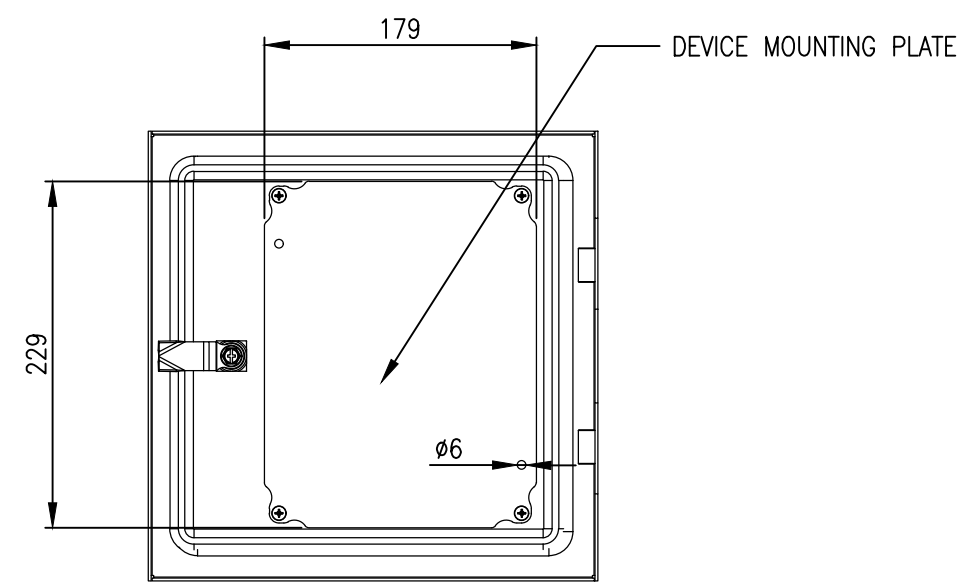
REAR-DOOR VIEW



SECTION B-B



BOTTOM VIEW



REAR-DOOR INTERIOR VIEW

MATERIAL
ENCLOSURE BODY: 2.0mm GALVANISED STEEL SHEET
ENCLOSURE DOOR: GALVANISED STEEL SHEET
ENCLOSURE FRONT PANEL: GALVANISED STEEL SHEET
ENCLOSURE SEAL: POLYURETHANE
SURFACE TREATMENT: POWDER-COAT 80-120 MICRON
STANDARD COLOUR: RAL7035

PROTECTION: IP66
STANDARD: AS/EN/IEC60529

© IP ENCLOSURES 2022.
THIS DRAWING SHALL NOT BE COPIED OR REPRODUCED WITHOUT
AUTHORISATION FROM IP ENCLOSURES.
www.ipenclosures.com.au

Itemref	Quantity	Title/Name, designation, material, dimension etc	Article No./Reference
IP	1	300Hx300Wx150D STEEL HMI ENCLOSURE	IP-HMI303015
Designed by	Checked by	Approved by - date	Filename Date Scale
IP	IP	09/08/22	IP-HMI303015 09/08/22 1:5
IP Enclosures			Edition Sheet
IP-HMI303015			0 1/1

A
B
C
D
E
F
G
H

1 2 3 4 5 6 7 8 9 10 11 12 13 14 15 16