

IP69K Hygienic Electrical Enclosure IP-H603821

STAINLESS STEEL | SLOPING ROOF | HYGIENIC
IP66 IK07 | IP69K | IECEX

600H x 380W x 210D
OVERALL HEIGHT: 720H

The IP Enclosures H range of IP69K Hygienic Food Grade Electrical Enclosures are designed to prevent contamination and are suitable for the food & beverage, pharmaceutical and other industries that require high hygienic standards. This range has obtained the prestigious IECEX certification, an international recognition for reliability in hazardous environments. The IECEX certification ensures that stainless steel enclosures are suitable for containing electrical, electronic or pneumatic components in hazardous environments. This range has been tested to ensure maximum operational safety in zones 1, 21, 2 and 22. Our full range of IP69K Hygienic Enclosures are made in Italy using the highest quality materials and processes.

Protection: IP66 IK07, IP69K, IECEX Ex eb IIC Gb (for gas), Ex tb IIIC Db (for dust)

Standards (& Conformities): DGUV EN1672-2, IEC/EN62208, IEC/EN/AS60529, ISO20653, EHEDG, RoHS, IEC60079



Material:

- Body: 1.5mm Grade 304 Stainless Steel
- Door: 1.5mm Grade 304 Stainless Steel
- Device Mounting Plate: Galvanised Steel Sheet (Optional: Stainless Steel)
- Seal: Blue Silicone FDA compliant

Enclosure Body: The robust monoblock body with 30° sloping roof is fabricated using 1.5mm Grade 304 Stainless Steel. It is designed to be completely smooth and without crevices and without concave angles to facilitate cleaning and avoid deposits. The body is designed to promote self draining for ease of hygienic cleaning.

Enclosure Door: The door is fabricated using 1.5mm Grade 304 Stainless Steel and includes specially cast internal hinges to allow for removal of the seals. The door is designed for a 115° opening with hinges on the right hand side.

Enclosure Seal: Blue silicone seal, FDA compliant for food production areas. Replaceable.

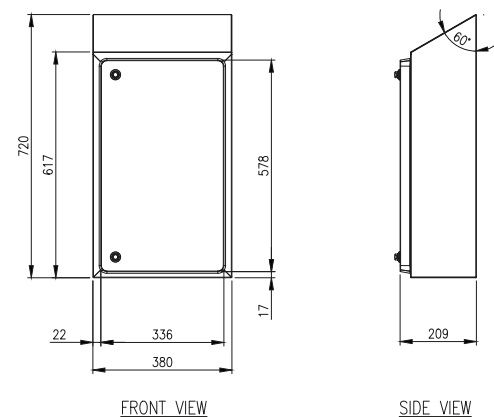
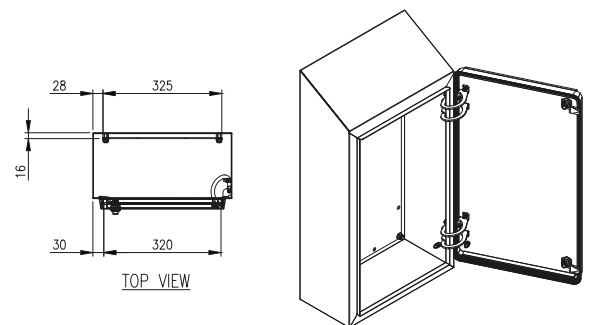
Enclosure Lock: IP69K Stainless Steel Hygiene lock with seal. Dirt resistant and easy to clean.

Device Mounting Plate: Fabricated using galvanised steel sheet. Supplied fitted.

Surface Finish: 0.2 microns.

Useable Depth: 190mm.

Mass: 20.5Kg.



IP69K Hygienic Electrical Enclosure **IP-H603821**

STAINLESS STEEL | SLOPING ROOF | HYGIENIC
IP66 IK07 | IP69K | IECEX

600H x 380W x 210D
OVERALL HEIGHT: 720H

ACCESSORIES:

Part Number	Description
IP-HSB-KIT	Hygienic Spacer Bracket Kit (Set of 4)

CERTIFICATES:

UL: Listing Number E231227

Products are manufactured to Quality, Safety and Environmental Standards.

WARRANTY: 5 years.