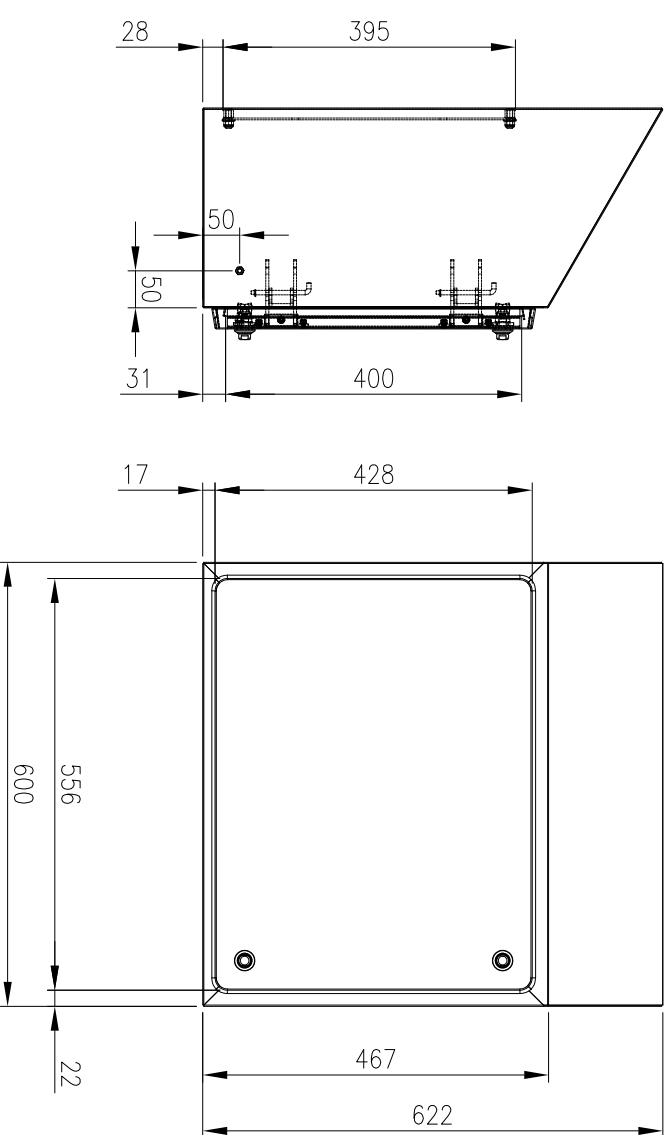
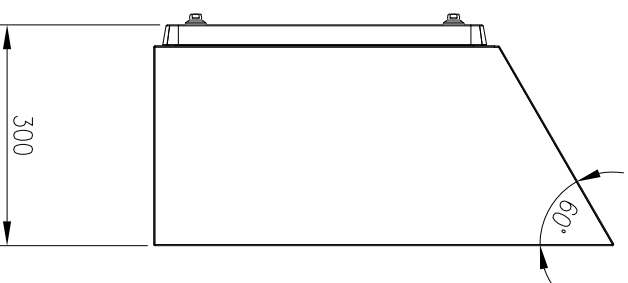


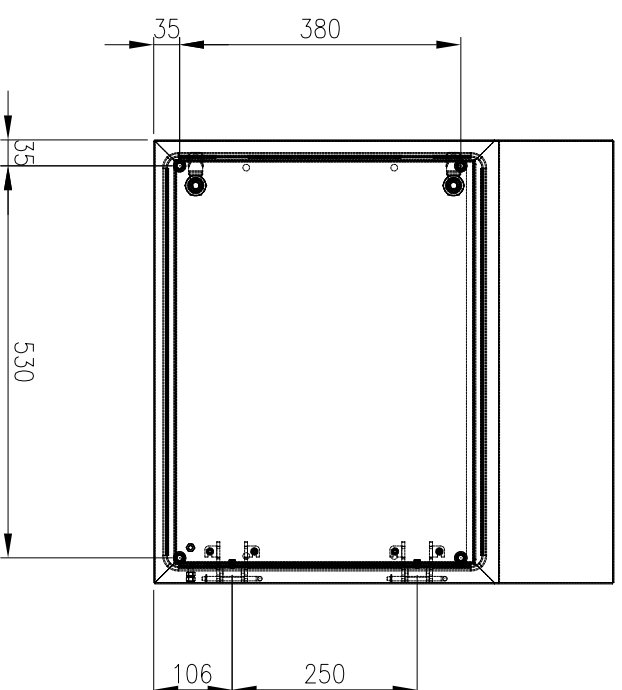
TOP VIEW



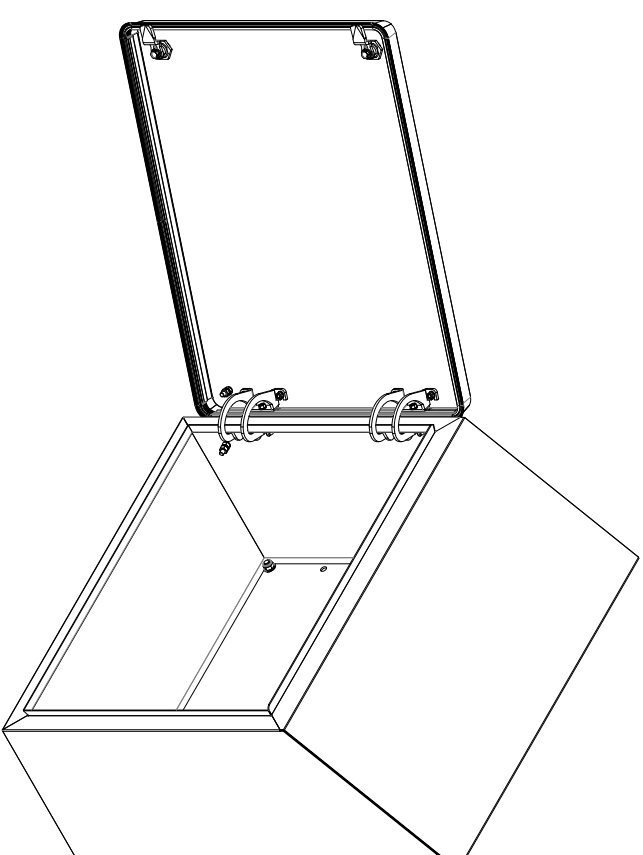
FRONT VIEW



SIDE VIEW



REAR VIEW



**MATERIAL**  
 BODY: 304 STAINLESS STEEL  
 DOOR: 304 STAINLESS STEEL  
 DEVICE PLATE: GALVANISED STEEL SHEET  
 SEAL: BLUE SILICONE. FDA COMPLIANT

**PROTECTION:** IP66, IP69K  
**STANDARD:** DGUV EN1672-2, EN62208, EN/AS60529

© IP ENCLOSURES 2016.  
 THIS DRAWING SHALL NOT BE COPIED OR REPRODUCED  
 WITHOUT AUTHORISATION FROM IP ENCLOSURES.  
 www.ipenclosures.com.au

Item#	Quantity	TradeName, designation, material, dimension etc.	Article No./Reference	Scale
IP				1:10
Designed by	Checked by	Approved by - date	Filename	Date
IP	IP	20/05/21	IP-H456030	20/05/21
		450x600x300 IP69K HYGIENIC ENCLOSURE	IP-H456030	0
			IP-H456030	1/1

RevNo	Revision note	Date	Signature	Checked