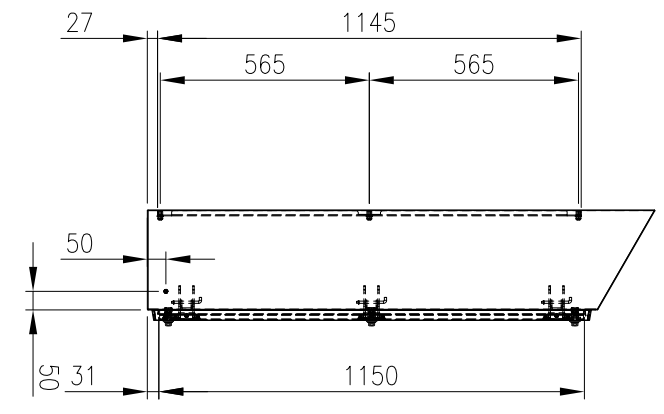
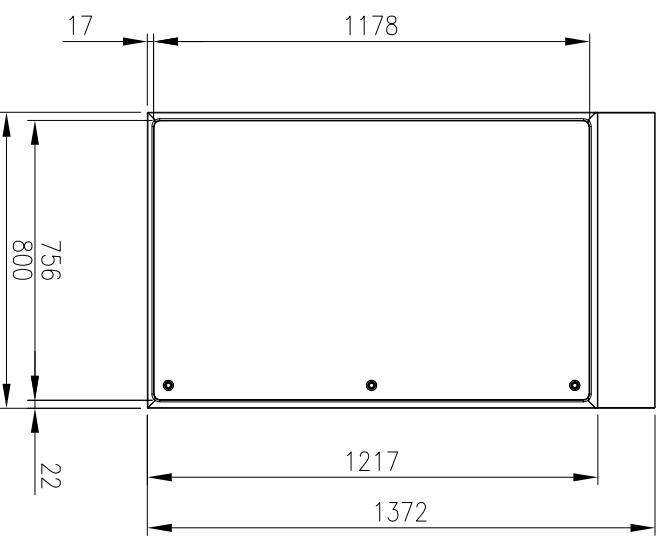


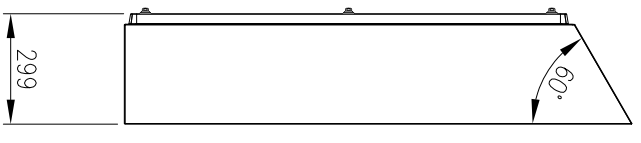
TOP VIEW



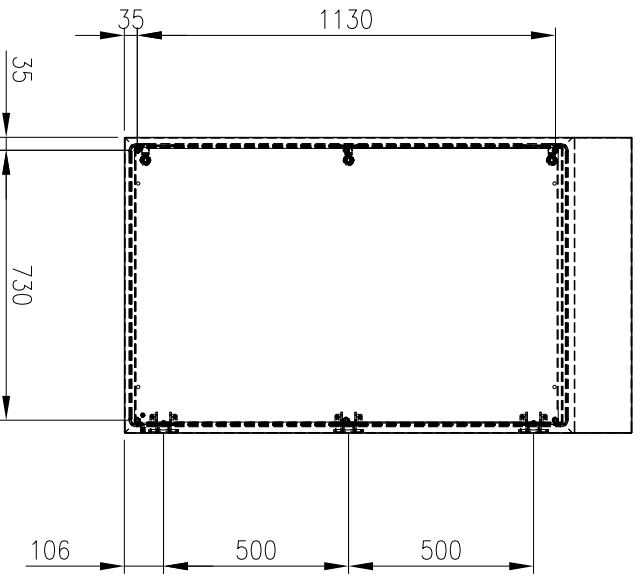
SIDE VIEW



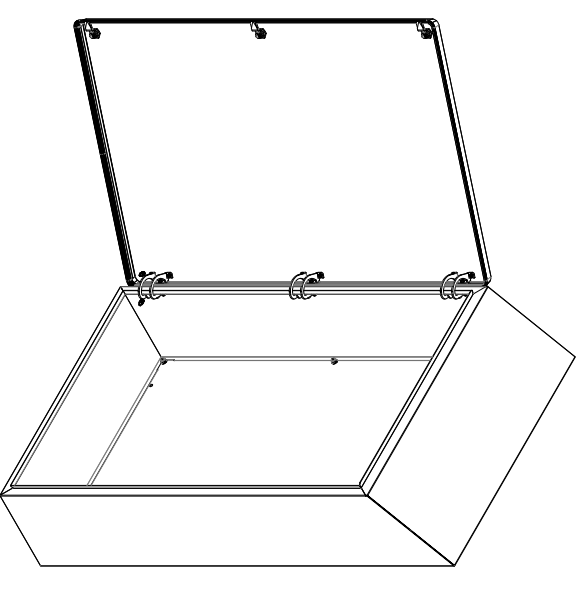
FRONT VIEW



SIDE VIEW



REAR VIEW



**MATERIAL**  
 BODY: 304 STAINLESS STEEL  
 DOOR: 304 STAINLESS STEEL  
 DEVICE PLATE: GALVANISED STEEL SHEET  
 SEAL: BLUE SILICONE. FDA COMPLIANT

PROTECTION: IP66, IP69K  
 STANDARD: DGVV EN1672-2, EN62208, EN/AS60529

© IP ENCLOSURES 2016.  
 THIS DRAWING SHALL NOT BE COPIED OR REPRODUCED  
 WITHOUT AUTHORISATION FROM IP ENCLOSURES.  
 www.ipenclosures.com.au

Item	Quantity	TradeName, designation, material, dimension etc.	Article No./Reference	Scale
IP Enclosures				1:20
Designed by	Checked by	Approved by - date	Filename	Date
IP	IP	20/05/21	IP-H1208030	20/05/21
		1200x800x300 IP69K HYGIENIC ENCLOSURE		
		IP-H1208030		
		0		1/1

RevNo	Revision note	Date	Signature	Checked