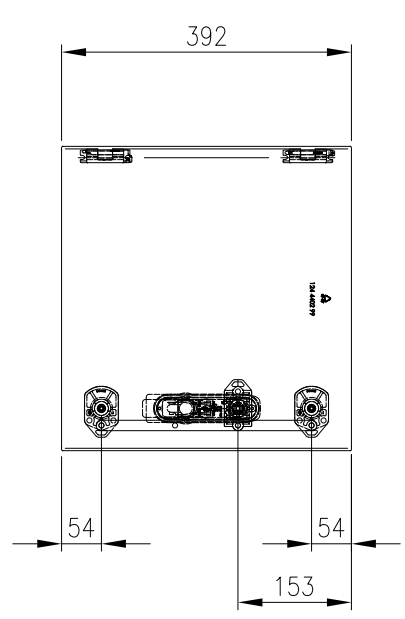
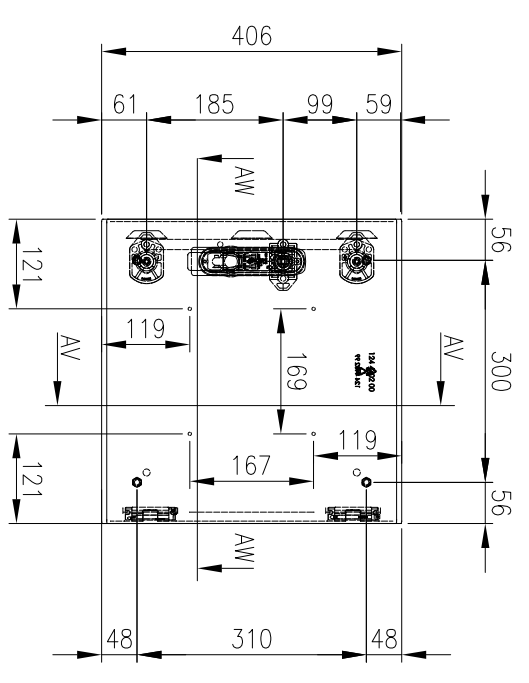


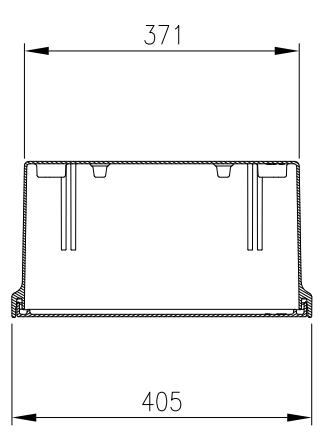
TOP VIEW



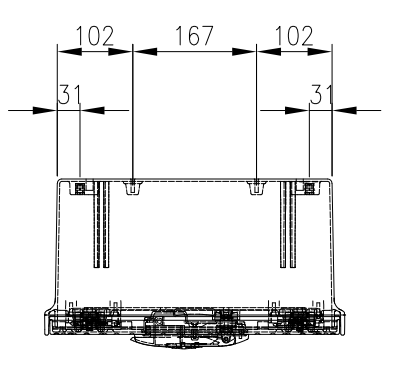
INSIDE DOOR VIEW



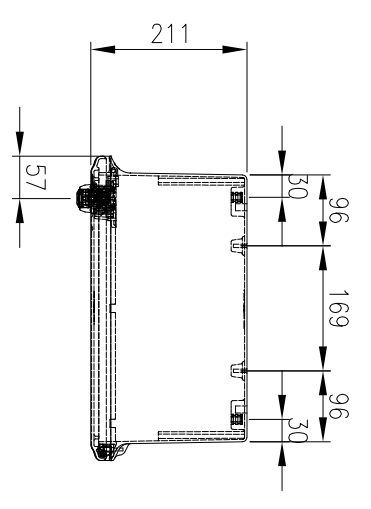
FRONT VIEW



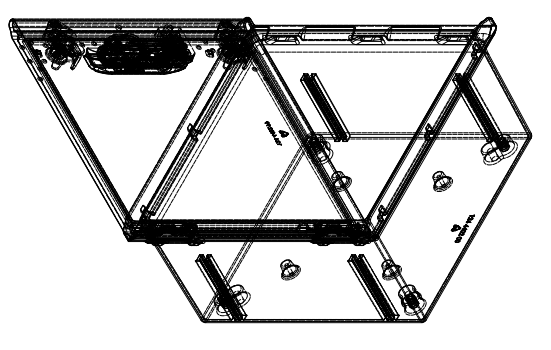
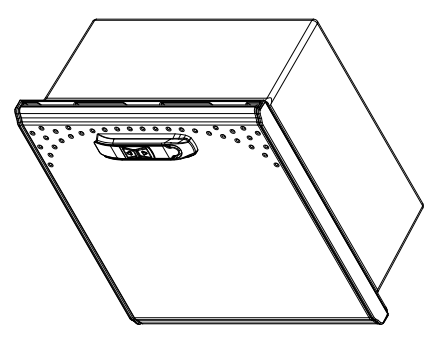
SIDE VIEW



SECTION AV-AV



SECTION AW-AW



**MATERIAL:**  
 BODY: GLASS-FIBRE REINFORCED POLYESTER (GRP)  
 DOOR: GLASS-FIBRE REINFORCED POLYESTER (GRP)  
 DEVICE PLATE: POLYESTER  
 SEAL: POLYURETHANE

**PROTECTION:** IP66  
**STANDARD:** IEC62208, IEC/EN/AS60529

Item	Quantity	Material, designation, material, dimension etc.	Article No./Reference	Scale
IP Enclosures	1	IP-GRP404020-H	13/04/21	1:10
IP-GRP404020-H	1	405H x 411W x 211D GRP ENCLOSURE	13/04/21	1:10
IP-GRP404020-H	0	IP-GRP404020-H	0	1/1

© IP ENCLOSURES 2016.  
 THIS DRAWING SHALL NOT BE COPIED OR REPRODUCED  
 WITHOUT AUTHORISATION FROM IP ENCLOSURES.  
 www.ipenclosures.com.au

