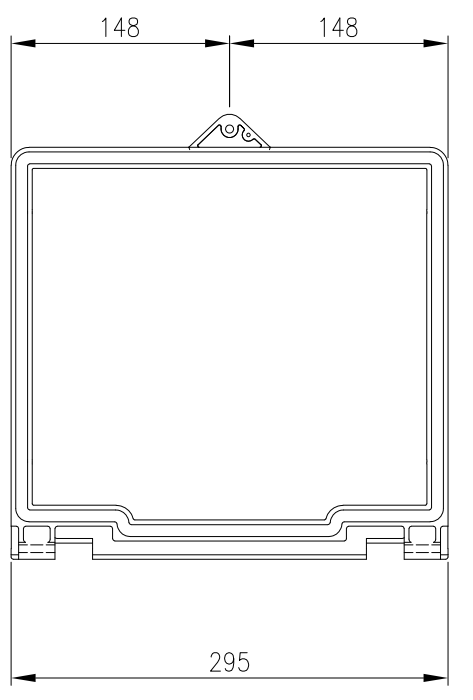
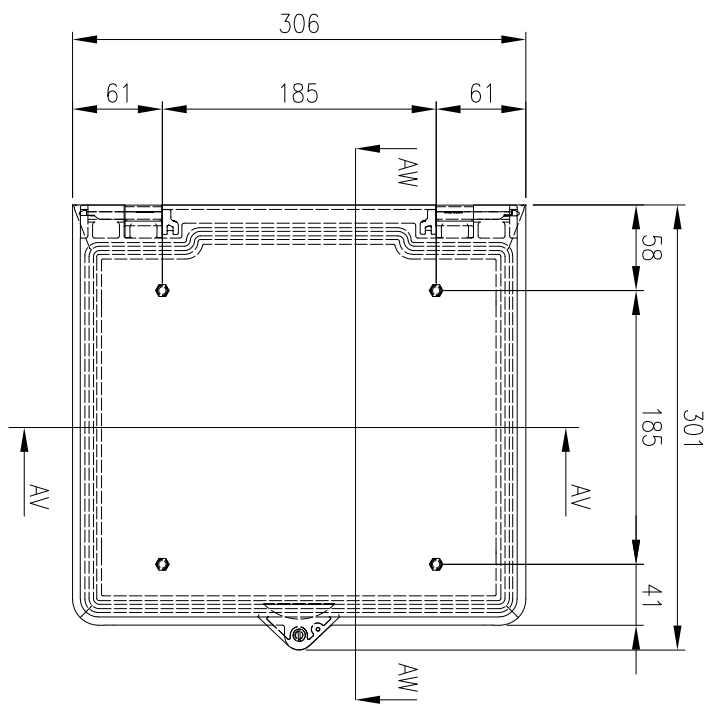
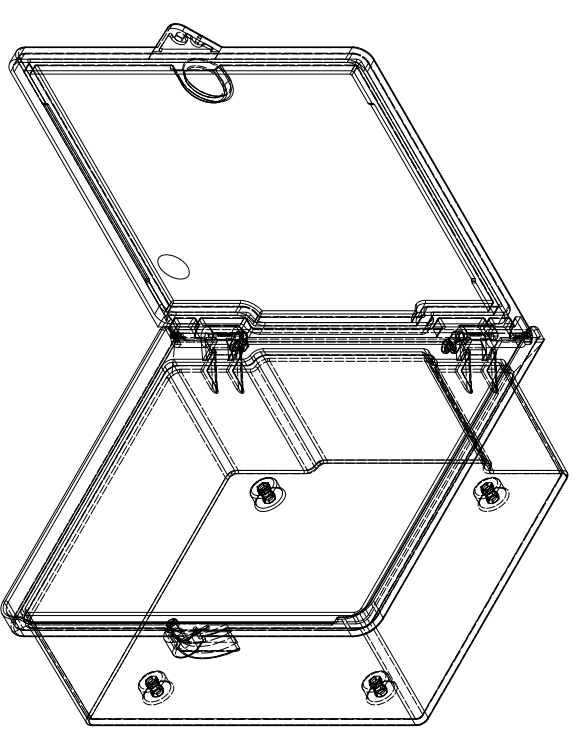


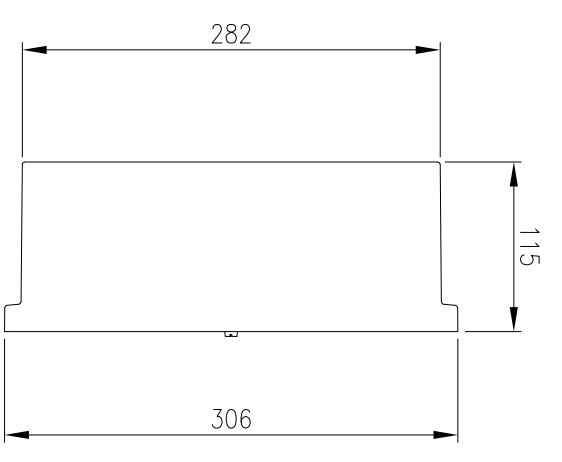
TOP VIEW



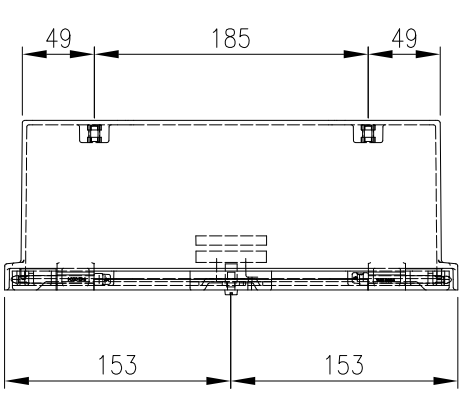
INSIDE DOOR VIEW



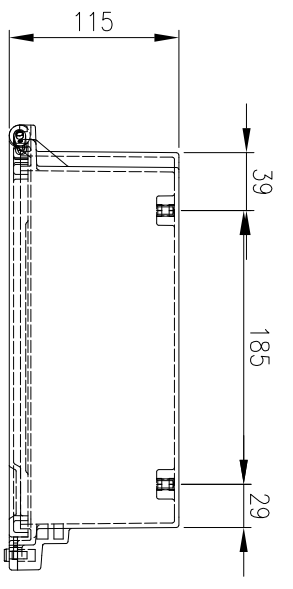
FRONT VIEW



SIDE VIEW



SECTION AV-AV



SECTION AW-AW

MATERIAL:
 BODY: GLASS-FIBRE REINFORCED POLYESTER (GRP)
 DOOR: GLASS-FIBRE REINFORCED POLYESTER (GRP)
 DEVICE PLATE: POLYESTER
 SEAL: POLYURETHANE

PROTECTION: IP66
 STANDARD: IEC2208, IEC/EN/AS60529

© IP ENCLOSURES 2016.
 THIS DRAWING SHALL NOT BE COPIED OR REPRODUCED
 WITHOUT AUTHORISATION FROM IP ENCLOSURES.
 www.ipenclosures.com.au

Item	Quantity	Task/Name, designation, material, dimension etc.	Article No./Reference	Scale
IP Enclosures				1:5
Designed by	Checked by	Approved by - date	Filename	Date
IP	IP	13/04/21	IP-grp3030-5	13/04/21
306H x 284W x 115D GRP ENCLOSURE				
IP-GRP3030-5				
Edition	Sheet			
0	1/1			