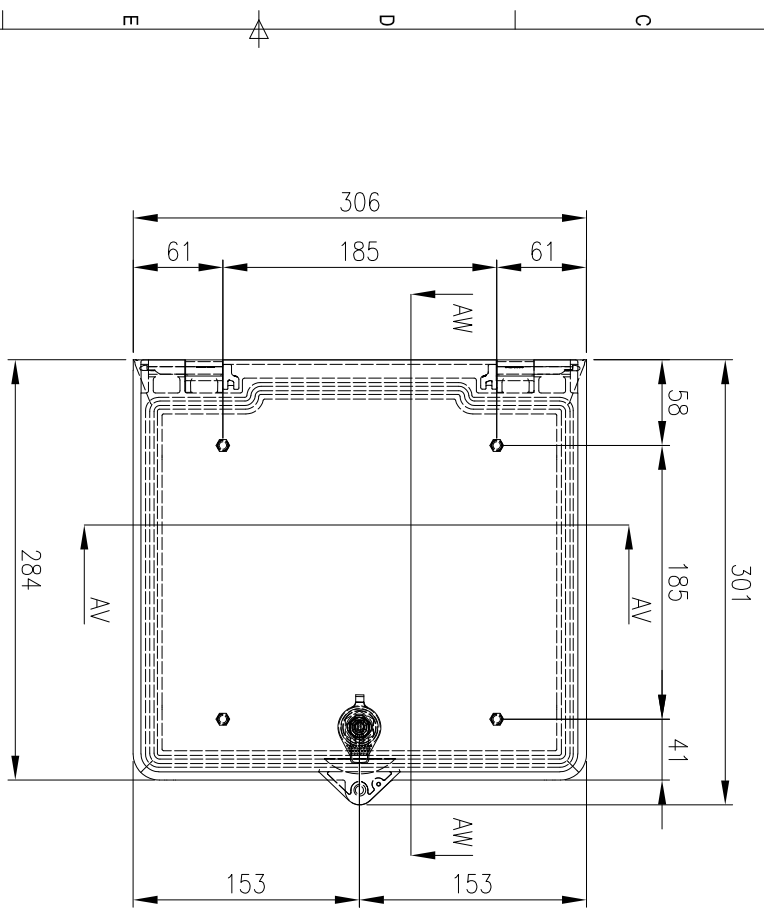
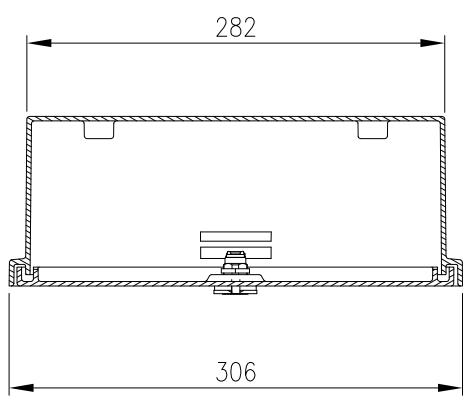


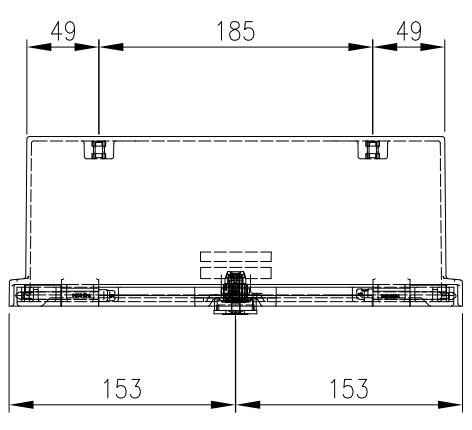
TOP VIEW



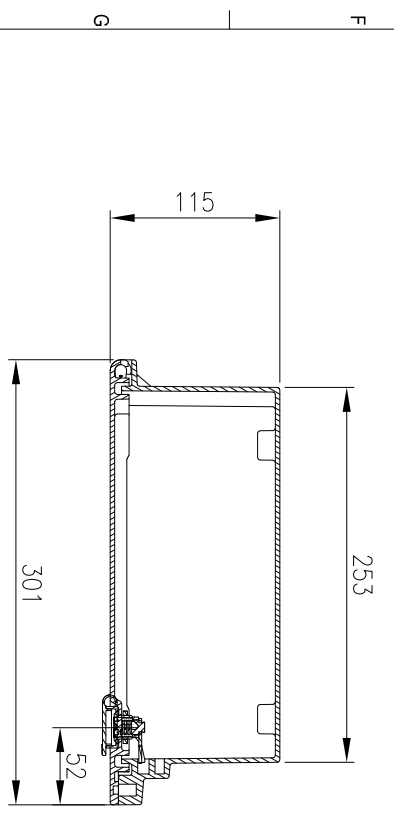
FRONT VIEW



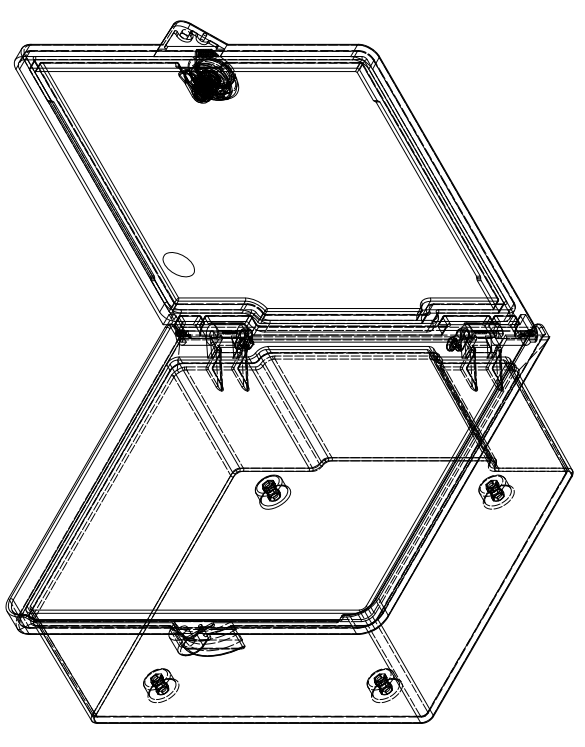
SIDE VIEW



SECTION AV-AV



SECTION AW-AW



MATERIAL:
 BODY: GLASS-FIBRE REINFORCED POLYESTER (GRP)
 DOOR: GLASS-FIBRE REINFORCED POLYESTER (GRP)
 SEAL: POLYURETHANE

PROTECTION: IP66
STANDARD: IEC62208, IEC/EN/AS60529

Item	Quantity	Material, designation, material, dimension etc.	Article No./Reference	Scale
Designed by	Checked by	Approved by - date	Filename	Scale
IP	IP	13/04/21	IP-GRP3010	1:5
306H x 284W x 115D GRP ENCLOSURE			IP-GRP303010	1/1

© IP ENCLOSURES 2016.
 THIS DRAWING SHALL NOT BE COPIED OR REPRODUCED
 WITHOUT AUTHORISATION FROM IP ENCLOSURES.
 www.ipenclosures.com.au

