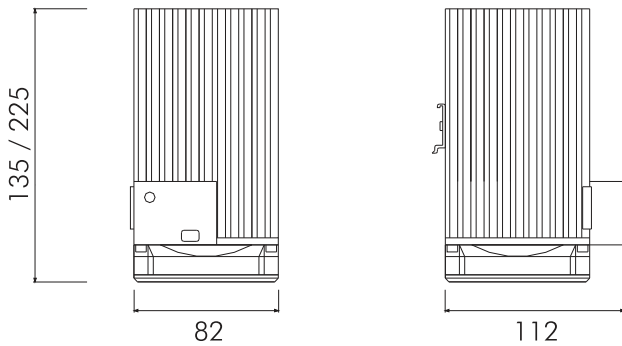


Fan Assisted | 250W to 750W

IP Enclosures provide a wide range of heating products for electrical enclosures. Anti-condensation heaters are required to prevent failures or corrosion caused by low temperatures or high humidity inside the enclosure. This occurs when ambient temperature is low and the equipment does not generate enough heat to maintain the minimum internal temperature. IP Enclosures heating products are manufactured to the highest quality in Italy.



FEATURES	UNIT	IP-FH250	IP-FH251	IP-FH400	IP-FH401	IP-FH500	IP-FH501	IP-FH750	IP-FH751
Heating Capacity	W	250	250	400	400	500	500	750	750
Power Supply	V/Hz	230/50-60	115/50-60	230/50-60	115/50-60	230/50-60	115/50-60	230/50-60	115/50-60
Max. current	A	1.2	2.4	1.9	3.8	2.4	4.8	3.6	7.2
Electrical connections	-	3 screw terminals for stranded or rigid wire 2.5 mm ²							
Protection class	-	Class I, earthed							
Protection degree EN60529	-	IP20							
Operating temperature	°C (°F)	-25/+70 (-13/+158)							
Storage temperature	°C (°F)	-45/+80 (-49/+176)							
Air flow rate	m ³ /h	35 (free flow)							44 (free flow)
Signalling	-	Green LED power ON							
Dimensions HxWxD	mm	135x112x82	135x112x82	165x112x82	165x112x82	165x112x82	165x112x82	225x112x82	225x112x82
Weight (with packaging)	kg	0.88(0.94)	0.88(0.94)	0.97(1.04)	0.97(1.04)	0.97(1.04)	0.97(1.04)	1.35(1.42)	1.35(1.42)
Conformity/Certifications	-	CE-UL 