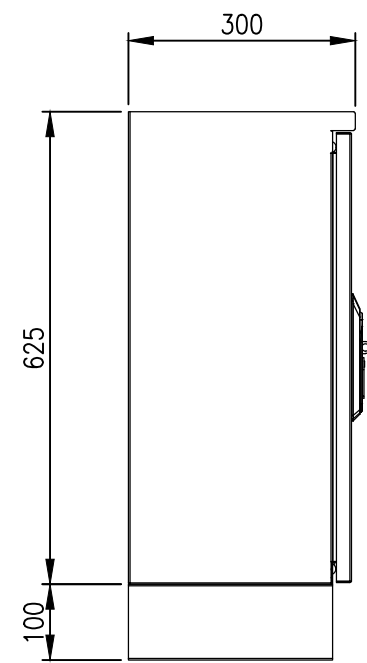
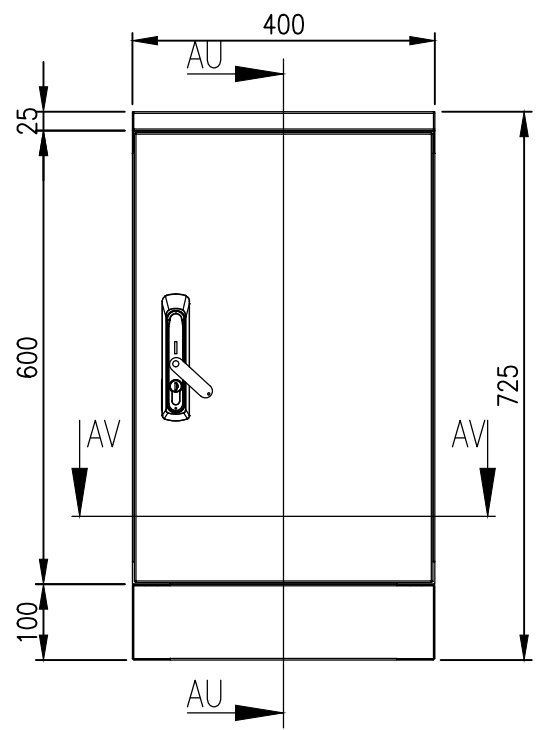


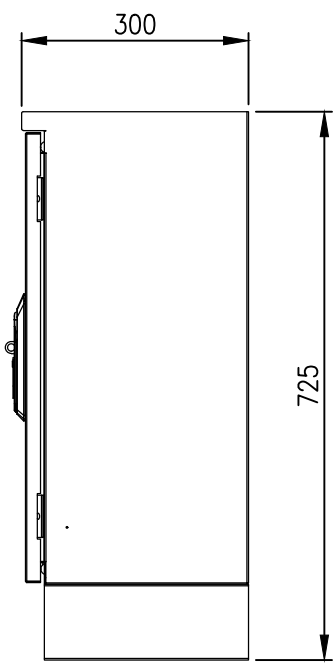
TOP VIEW



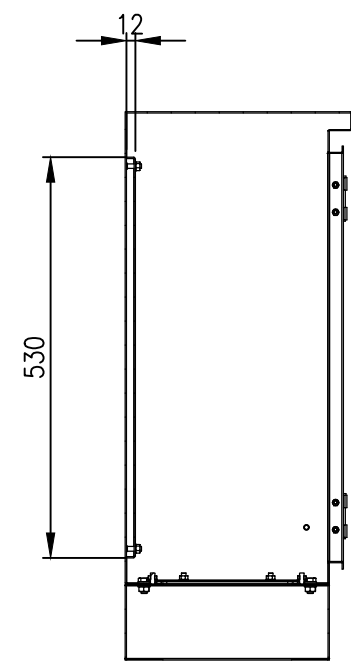
LEFT SIDE VIEW



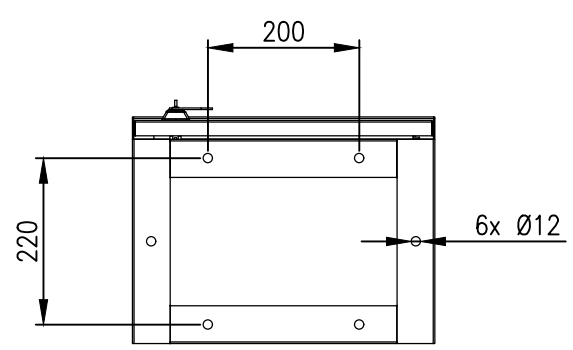
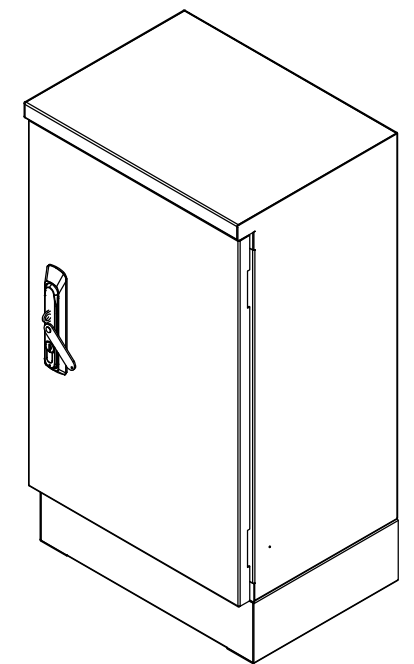
FRONT VIEW



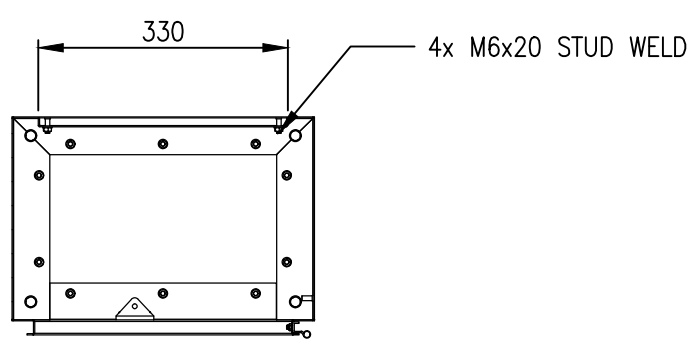
RIGHT SIDE VIEW



SECTION AU-AU



BOTTOM VIEW



SECTION AV-AV

MATERIAL
 BODY: 1.5mm GALVANISED STEEL SHEET
 DOOR: 1.5mm GALVANISED STEEL SHEET
 GLAND PLATE: 1.5mm GALVANISED STEEL SHEET
 DEVICE PLATE: 1.5mm GALVANISED STEEL SHEET
 SEAL: POLYURETHANE
 SURFACE TREATMENT: POWDER-COAT 80-120micron
 COLOUR: KARAKA GREEN

PROTECTION: IP66 IK10, NEMA 4
STANDARD: IEC62208, IEC/EN/AS60529

Itemref	Quantity	Title/Name, designation, material, dimension etc	Article No./Reference
IP	1	600x400x300 FIELD ELECTRICAL CABINET	IP-FE604030-KK
Designed by	Checked by	Approved by - date	Filename Date Scale
IP	IP	06/11/23	IP-FE604030-KK 06/11/23 1:10
IP Enclosures			Edition Sheet
IP-FE604030-KK			0 1/1