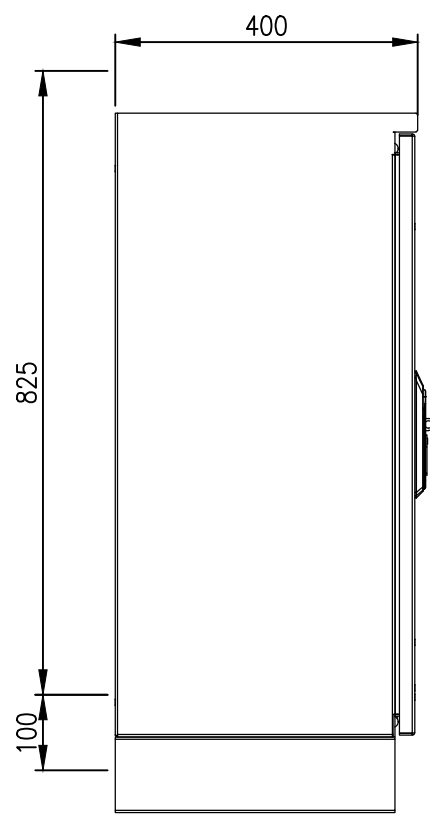
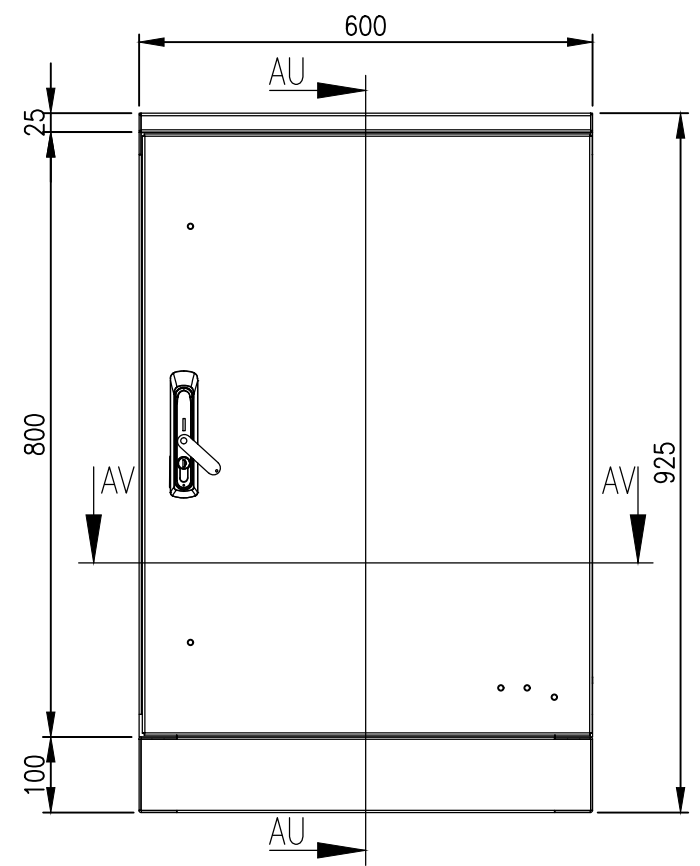


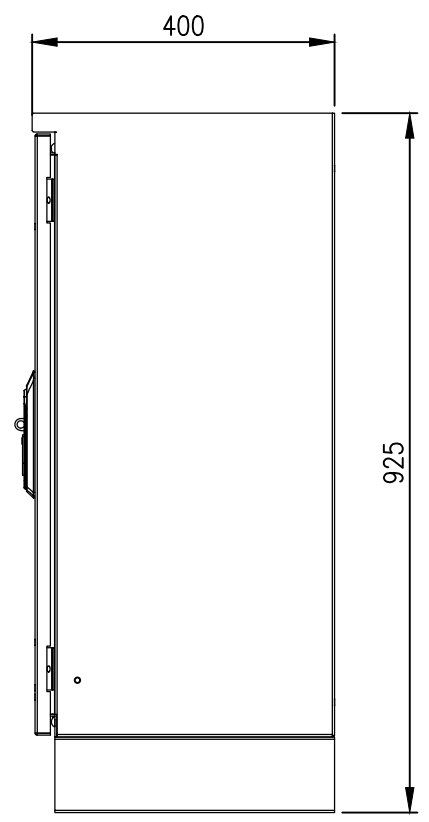
TOP VIEW



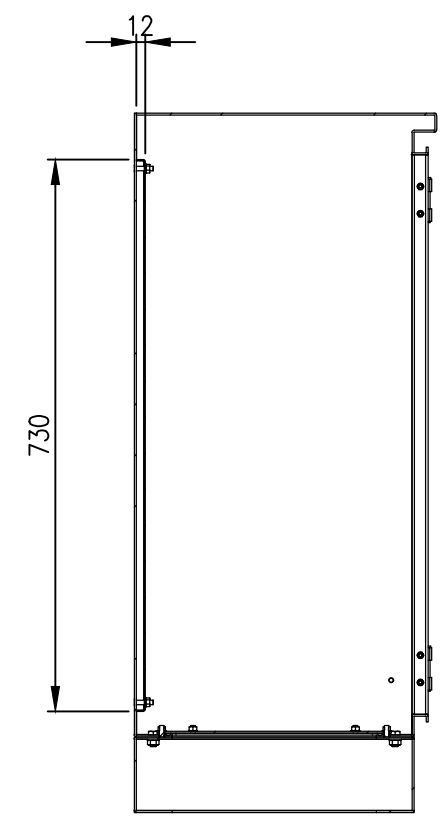
LEFT SIDE VIEW



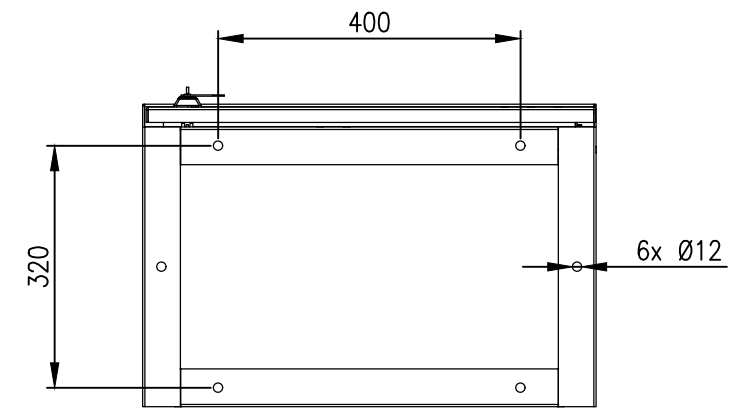
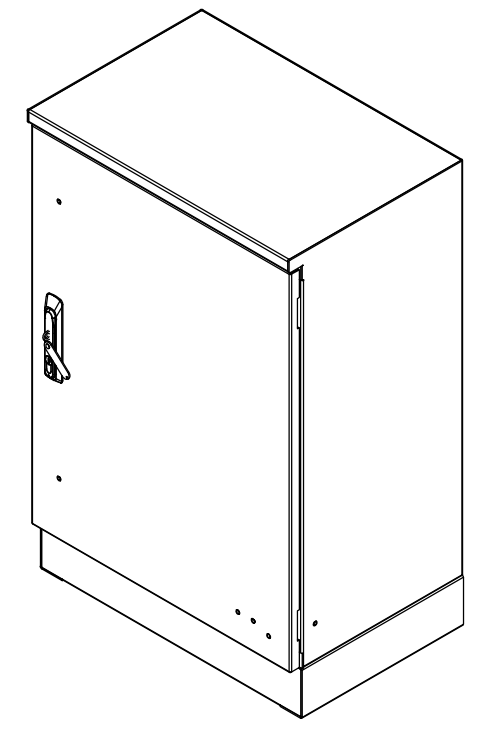
FRONT VIEW



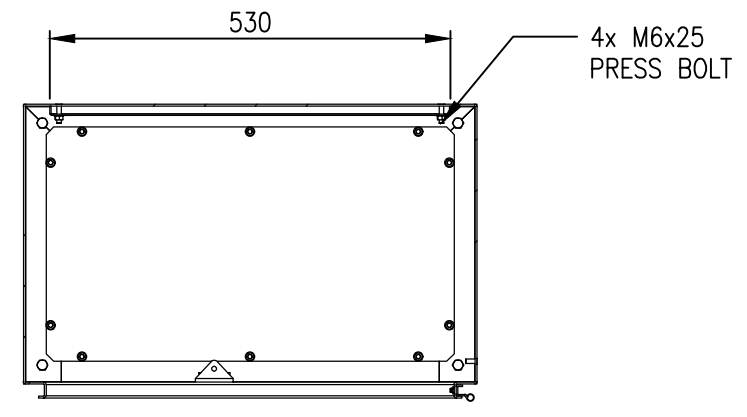
RIGHT SIDE VIEW



SECTION AU-AU



BOTTOM VIEW



SECTION AV-AV

MATERIAL
 BODY: 2.5mm MARINE GRADE ALUMINIUM
 DOOR: 2.5mm MARINE GRADE ALUMINIUM
 GLAND PLATE: 2.5mm MARINE GRADE ALUMINIUM
 DEVICE PLATE: 1.5mm GALVANISED STEEL SHEET
 SEAL: POLYURETHANE
 SURFACE TREATMENT: POWDER-COAT 80-120micron
 COLOUR: KARAKA GREEN

PROTECTION: IP66 IK10, NEMA 4
STANDARD: IEC62208, IEC/EN/AS60529

© IP ENCLOSURES 2023.
 THIS DRAWING SHALL NOT BE COPIED OR REPRODUCED
 WITHOUT AUTHORISATION FROM IP ENCLOSURES.
 www.ipenclosures.com.au

Itemref	Quantity	Title/Name, designation, material, dimension etc	Article No./Reference
IP	1	800x600x400 ALUMINIUM FIELD ELECTRICAL CABINET	IP-AFE806040-KK
Designed by	Checked by	Approved by - date	Date
IP	IP	06/11/23	06/11/23
IP Enclosures			Scale
IP-AFE806040-KK			1:10
Edition			Sheet
0			1/1