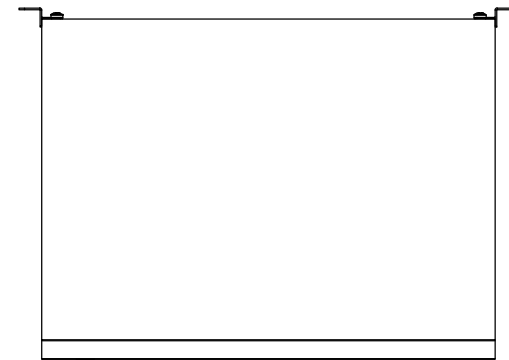
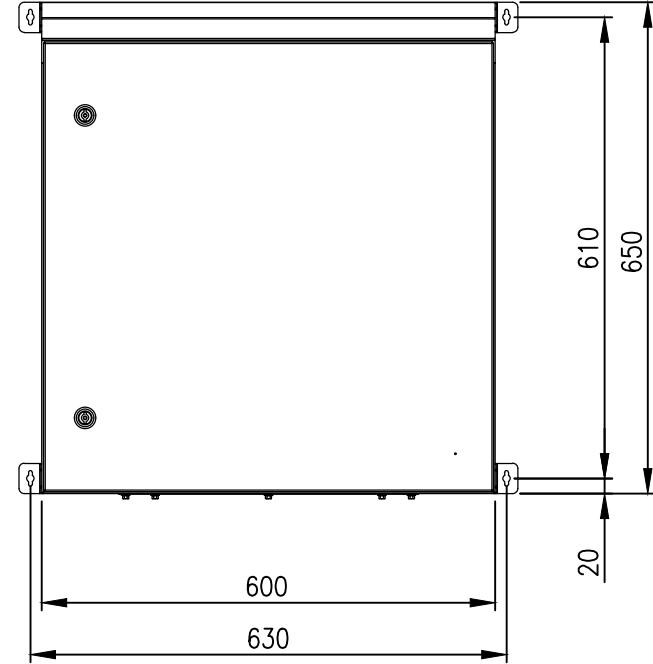
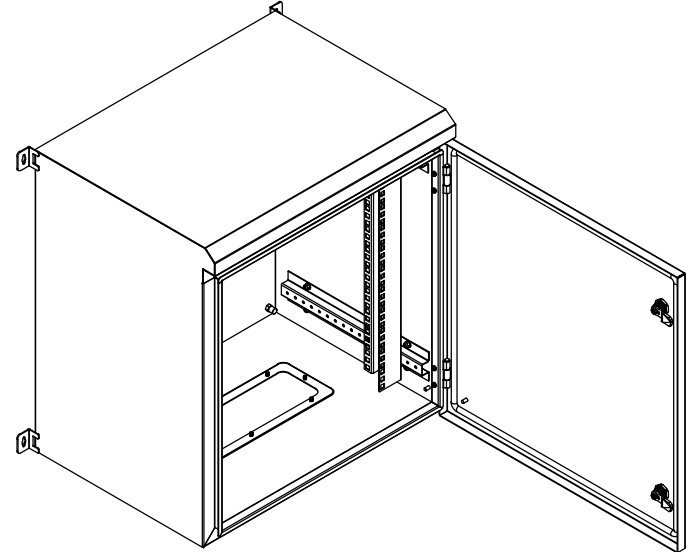


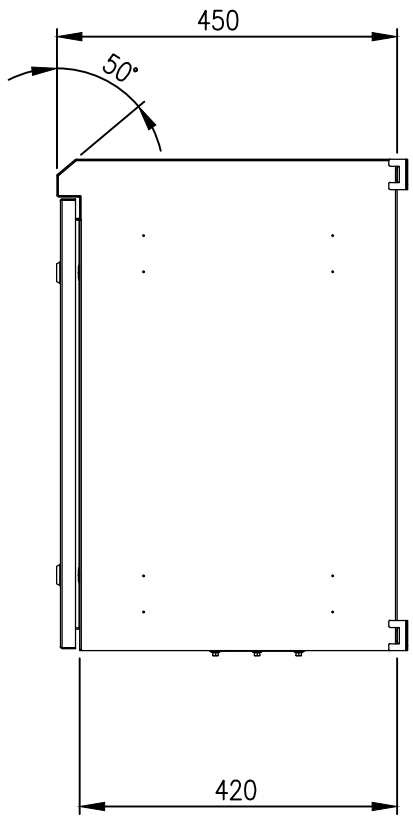
RevNo	Revision note	Date	Signature	Checked
1	GENERAL REVISION	28/02/23	IP	IP



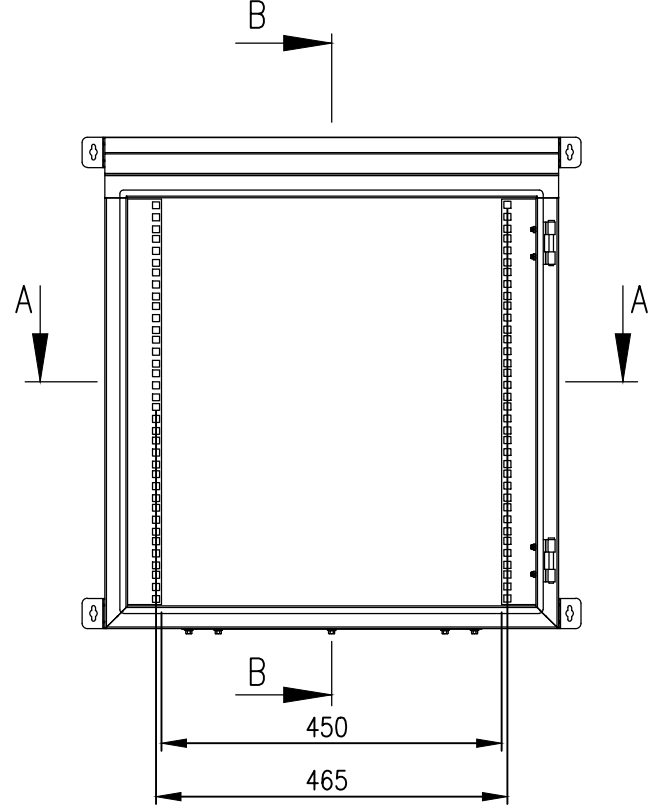
PLAN



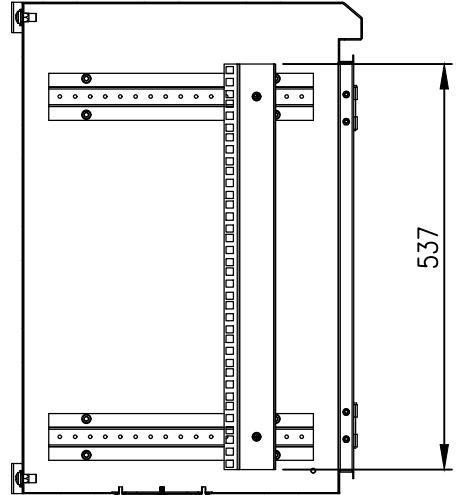
FRONT VIEW



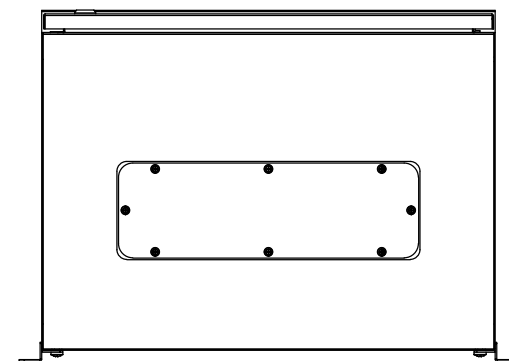
SIDE VIEW



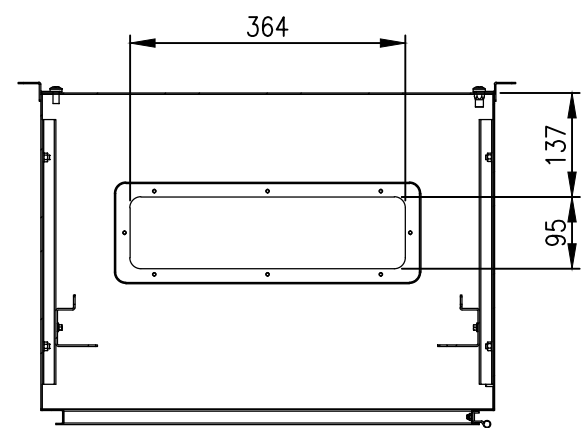
FRONT VIEW - DOOR REMOVED



SECTION BB



BOTTOM VIEW



SECTION AA

MATERIAL
 BODY: 1.5mm MARINE GRADE ALUMINIUM
 DOOR: 1.5mm MARINE GRADE ALUMINIUM
 19" RAILS: 1.5mm GALVANISED STEEL SHEET
 SEAL: POLYURETHANE
 SURFACE TREATMENT: POWDER-COAT 80-120micron
 COLOUR: RAL9005 JET BLACK

PROTECTION: IP66 IK10, NEMA 4
STANDARD: EIA-310-D, IEC/EN/AS60529

© IP ENCLOSURES 2016.
 THIS DRAWING SHALL NOT BE COPIED OR REPRODUCED
 WITHOUT AUTHORISATION FROM IP ENCLOSURES.
 www.ipenclosures.com.au

Itemref	Quantity	Title/Name, designation, material, dimension etc	Article No./Reference
IP	1	ALUMINIUM 12RU 19" DATA RACK 450 DEEP	IP-ADW12RU45-BLK
Designed by	Checked by	Approved by - date	Filename Date Scale
IP	IP	03/08/21	IP-ADW12RU45-BLK 03/08/21 1:10
Edition			Sheet
1			1/1

