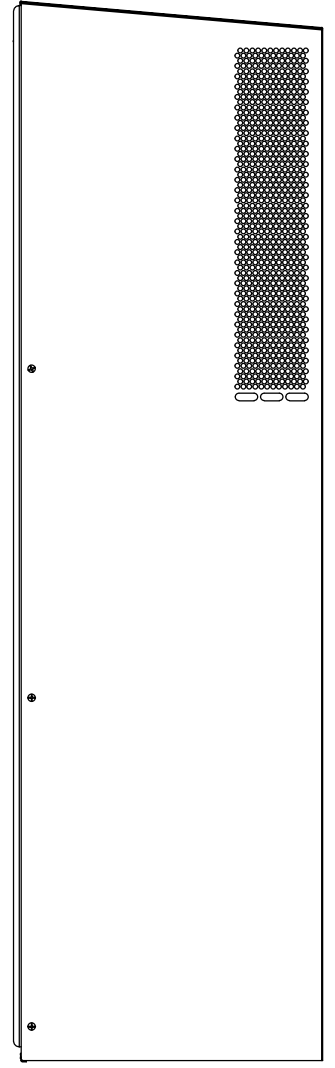


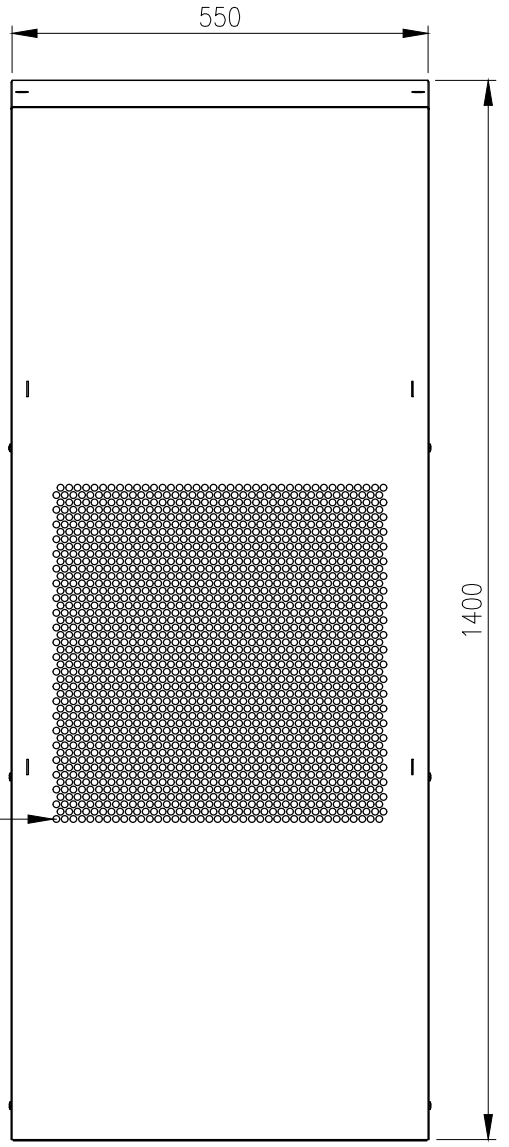
RevNo	Revision note	Date	Signature	Checked
	GENERAL REVISION		IP	IP



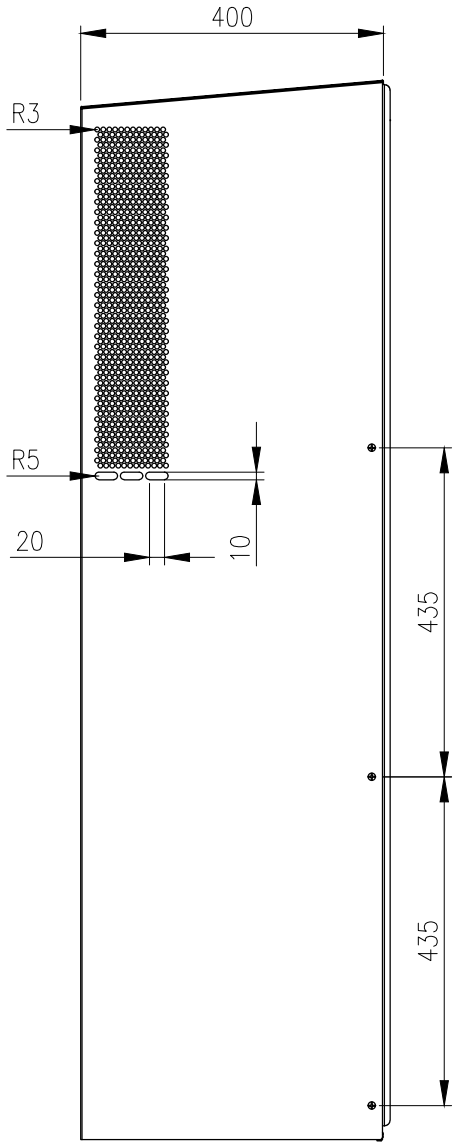
TOP VIEW



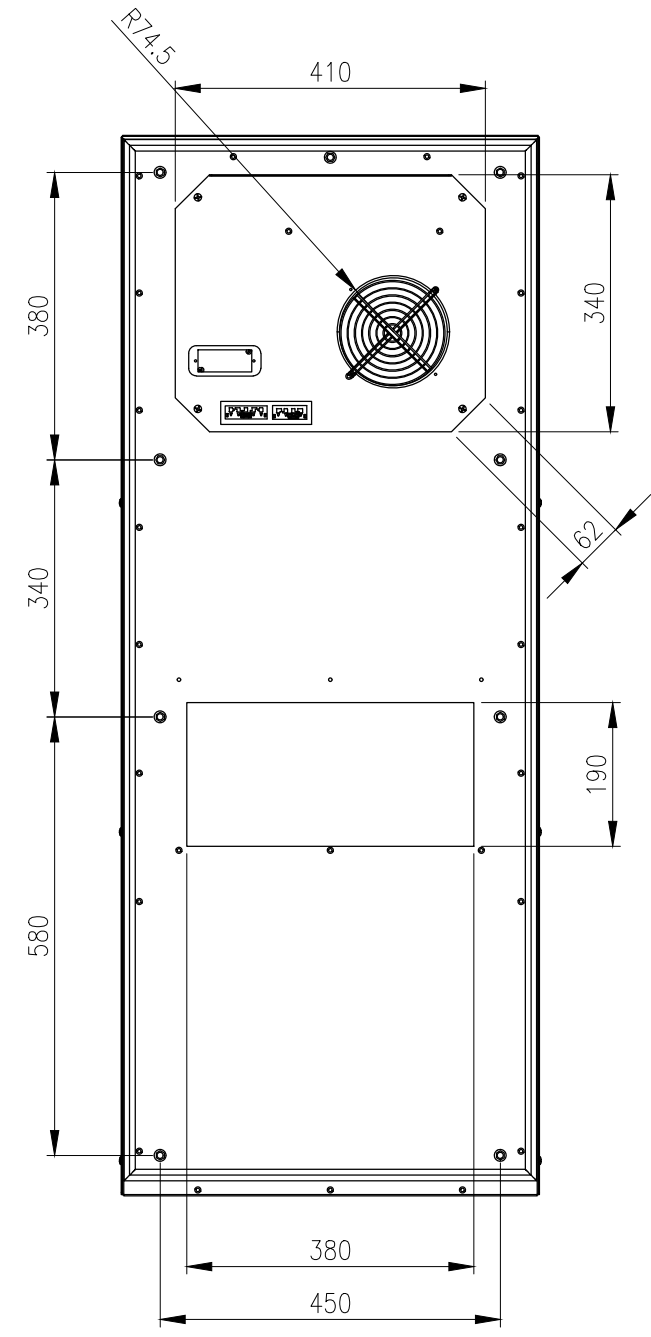
LEFT SIDE VIEW



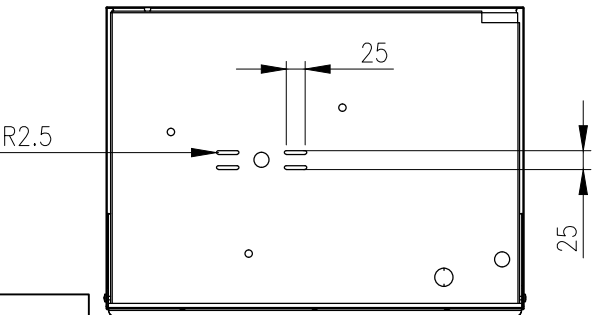
FRONT VIEW



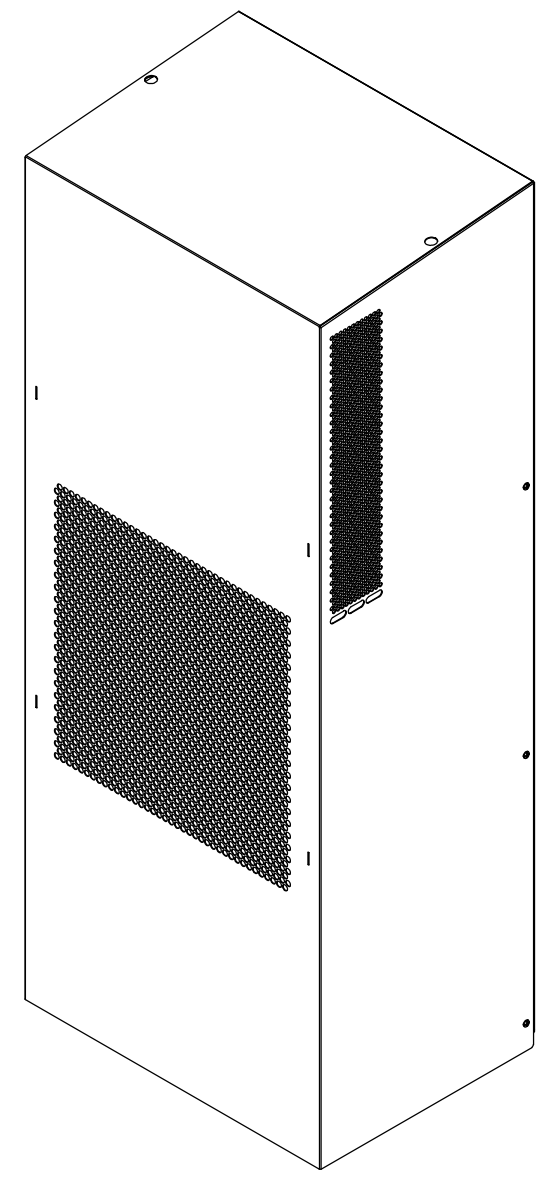
RIGHT SIDE VIEW



REAR VIEW



BOTTOM VIEW



**MATERIAL**  
 CASING: GALVANISED STEEL SHEET  
 COVER: GALVANISED STEEL SHEET  
 SURFACE TREATMENT: POWDER-COAT 80-120micron  
 COLOUR: RAL7035 LIGHT GREY

MASS: 105Kg.

PROTECTION: IP55 (EN60529/1 ENCLOSURE SIDE)  
 IP34 (EN60529/1 AMBIENT SIDE)  
 STANDARD: SAA, CE, AS/NZS60335.2.40:2019  
 AS/NZS60335.1:2020

© IP ENCLOSURES 2026.  
 THIS DRAWING SHALL NOT BE COPIED OR REPRODUCED  
 WITHOUT AUTHORISATION FROM IP ENCLOSURES.  
 www.ipenclosures.com.au

Itemref	Quantity	Title/Name, designation, material, dimension etc	Article No./Reference
Designed by IP	Checked by IP	Approved by - date 22/05/26	Filename IP-ACOWM600.433
		Date 22/05/26	Scale 1:10
			6000W OUTDOOR WALL MOUNTED AIR CONDITIONER
IP-ACOWM600.433			Edition 0
			Sheet 1/1