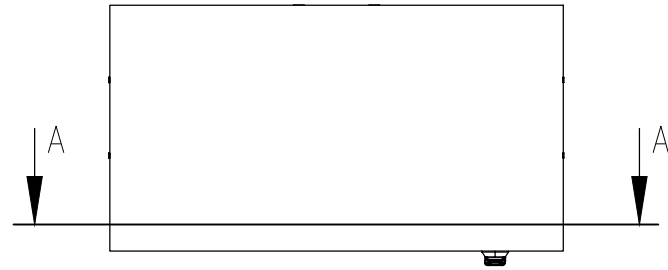
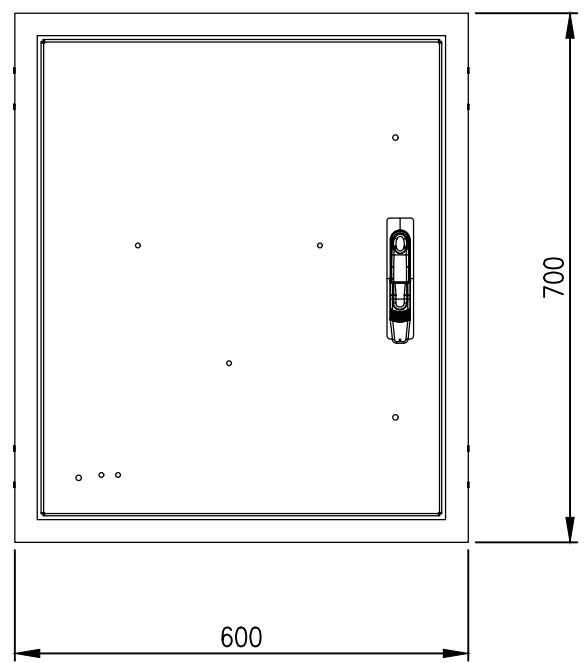
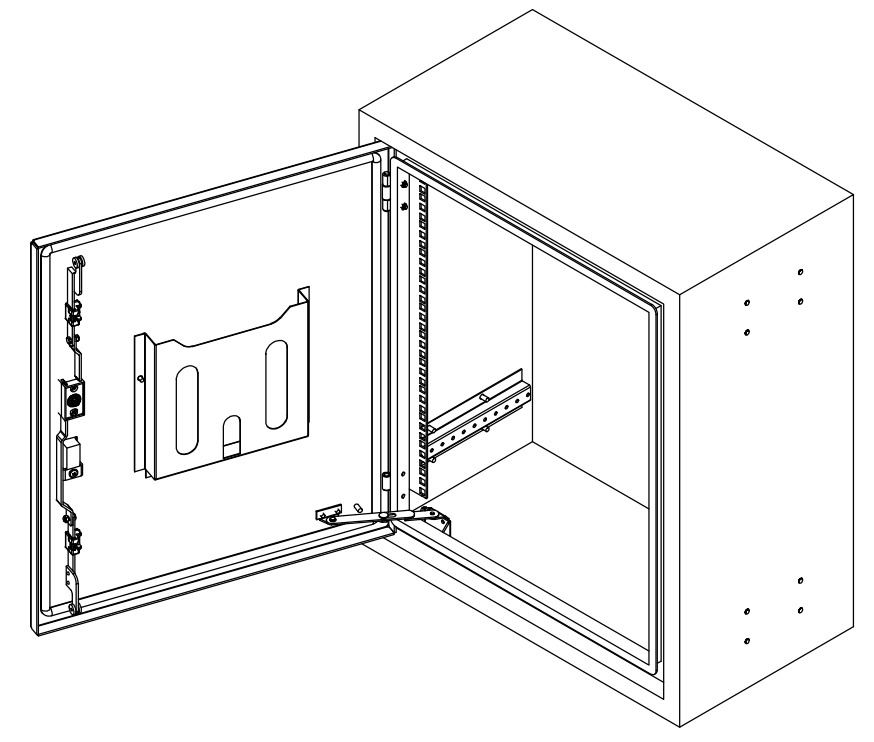


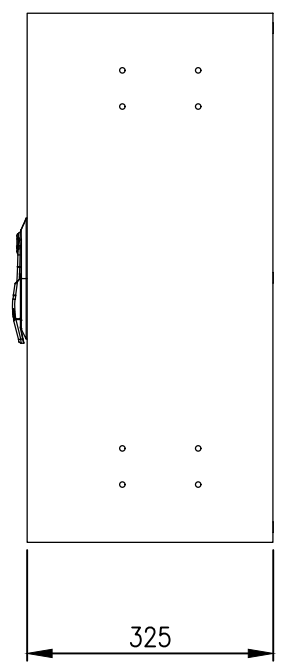
RevNo	Revision note	Date	Signature	Checked
1	GENERAL REVISION	31/03/23	IP	IP



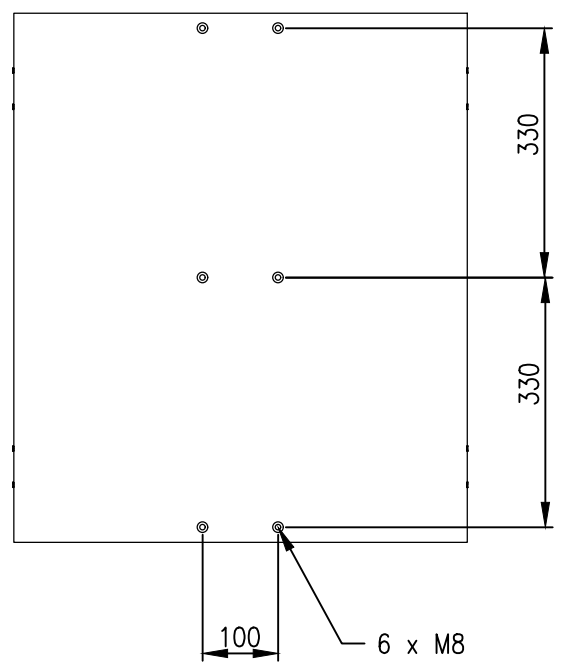
TOP VIEW



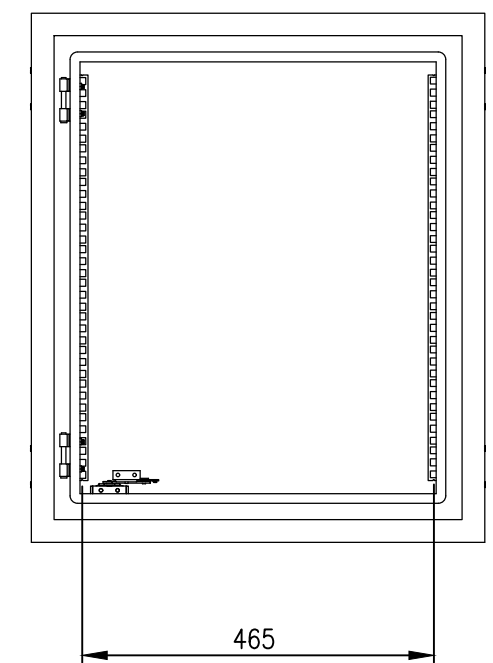
FRONT VIEW



SIDE VIEW



REAR VIEW



SECTION AA

**MATERIAL**  
 BODY: 2.5mm MARINE GRADE ALUMINIUM 5754-H111  
 DOOR: 2.5mm MARINE GRADE ALUMINIUM 5754-H111  
 19" DATA RACK RAILS: 1.5mm GALVANISED STEEL  
 SEAL: POLYURETHANE  
 SURFACE TREATMENT: POWDER-COAT 80-120micron

**PROTECTION:** IP66 (NON-VENTILATED)  
**STANDARD:** IEC62208, IEC/EN/AS60529

© IP ENCLOSURES 2016.  
 THIS DRAWING SHALL NOT BE COPIED OR REPRODUCED  
 WITHOUT AUTHORISATION FROM IP ENCLOSURES.  
 www.ipenclosures.com.au

Itemref	Quantity	Title/Name, designation, material, dimension etc	Article No./Reference
Designed by IP	Checked by IP	Approved by - date 08/07/21	Filename IP-A706032-0
		Date 08/07/21	Scale 1:10
			700x600x325 ALUM FIELD CABINET (NV)
IP-A706032-0			Edition 1
			Sheet 1/1