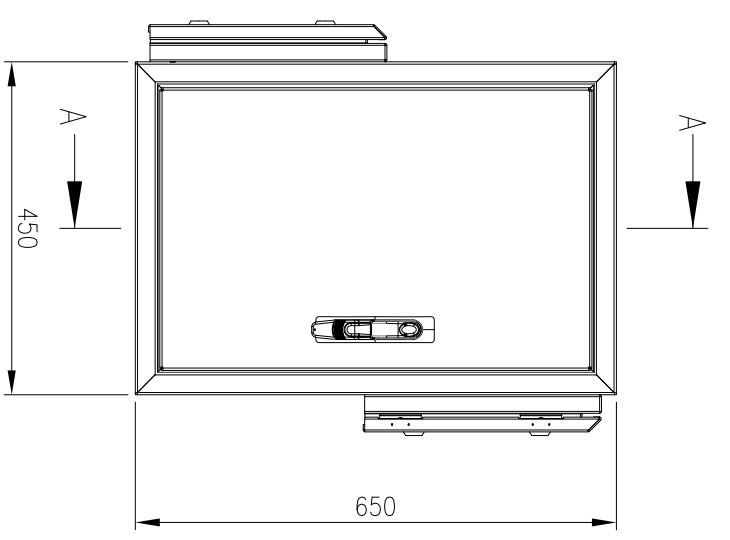
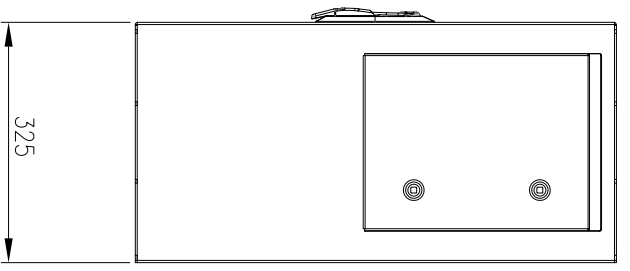


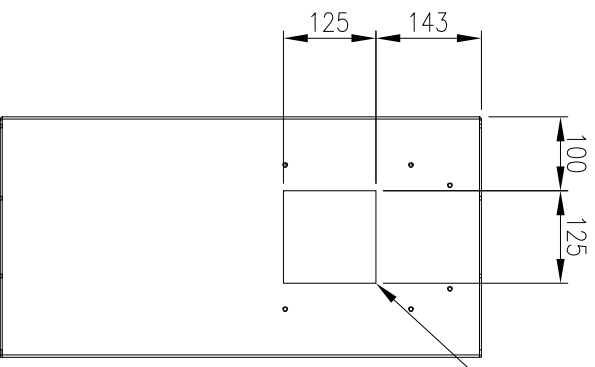
TOP VIEW



FRONT VIEW

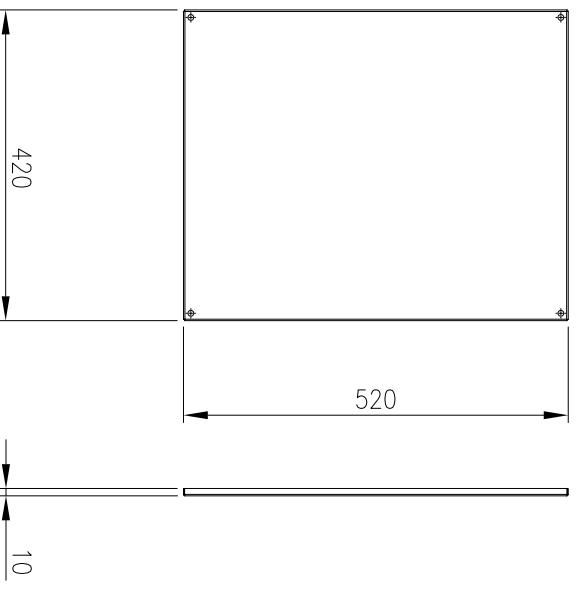


SIDE VIEW

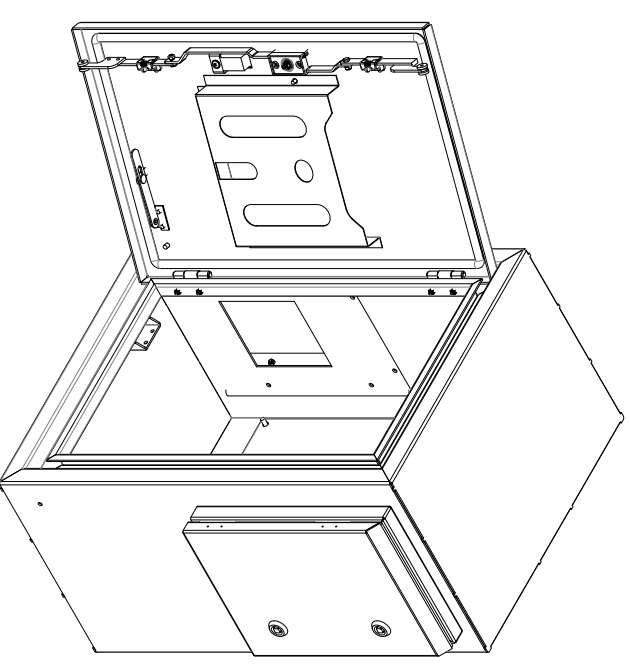


SECTION AA

FAN FILTER CUTOUT



DEVICE MOUNTING PLATE



MATERIAL
 BODY: 2.5mm MARINE GRADE ALUMINIUM
 DOOR: 2.5mm MARINE GRADE ALUMINIUM
 DEVICE PLATE: 1.5mm GALVANISED STEEL SHEET
 SEAL: POLYURETHANE
 SURFACE TREATMENT: POWDER-COAT 80-120micron

PROTECTION: IP66
 STANDARD: IEC62208, IEC/EN/AS60529

© IP ENCLOSURES 2016.
 THIS DRAWING SHALL NOT BE COPIED OR REPRODUCED
 WITHOUT AUTHORISATION FROM IP ENCLOSURES.
 www.ipenclosures.com.au

Item#	Quantity	TradeName, designation, material, dimension etc.	Article No./Reference
IP	1	650x450x325 ALUMINIUM FIELD CABINET	
IP	1	IP-A654532-133	

Designed by	Checked by	Approved by - date	Filename	Date	Scale
IP	IP	13/10/20	IP-A654532-133	13/10/20	1:10

