

IP66 Field Cabinet

IP-A654532-T33

MARINE GRADE ALUMINIUM | POLE MOUNT | IP66

650H x 450W x 325D

Pole-Mounted Aluminium Field Cabinets are designed to house sensitive data network and electrical equipment for a variety of heavy duty outdoor applications including general industrial, infrastructure, road/traffic management and intelligent transport systems.

Protection: Complies with IP66
(Excluding cutouts for fans/filters)

Standard: IEC62208, IEC/EN/AS60529

Material:

- Body: 2.5mm Marine Grade Aluminium
- Doors: 2.5mm Marine Grade Aluminium
- Enclosure Seal: Polyurethane

Body: The robust monoblock body is fabricated using 2.5mm marine grade aluminium. Precision automated manufacturing equipment ensures accuracy and consistent high quality. Flat face sealing surfaces increase seal life. Integral device plate mounts and M6 earth stud are included. Fan/filter cutouts and hinged vent hoods are provided as standard. Non-ventilated option is also available. (Fans and filters are ordered separately).

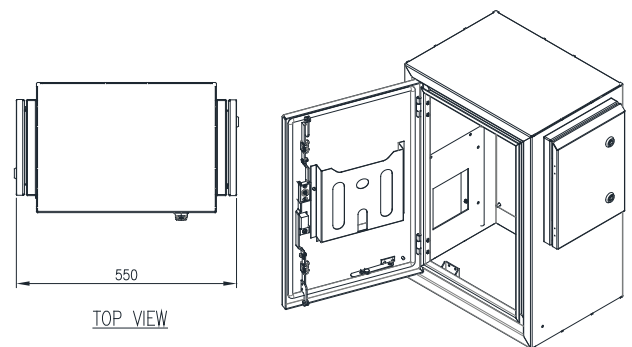
Doors: The front door is fabricated using 2.5mm marine grade aluminium and is designed to provide flush recessed mounting to prevent vandalism and unauthorised access. The door incorporates concealed removable hinges with captive pins. It is hinged on the left side, designed for a 110° opening and is provided with a heavy duty door stay. An A4 plan pocket is provided.

Seal: A high quality machine-applied full perimeter UL listed Polyurethane seal foamed in place (FIP) provides excellent sealing over a long life. Temperature resistance -40°C to 80°C (160°C short term loading).

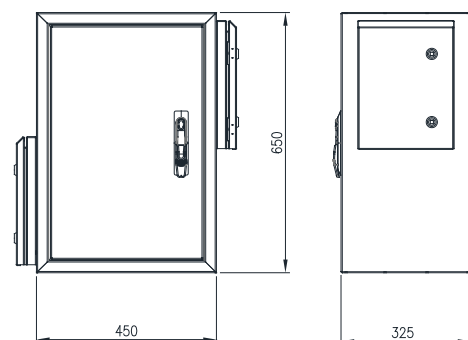
Device Mounting Plate: The device mounting plate is 1.5mm galvanised steel sheet. It is pressed to provide strength. It is pre-fitted into the enclosure as standard. Powder coated RAL9010 pure white.

Locks: 3 point locking systems with key-lock swing handles.

Surface Treatment: UL approved epoxy polyester powder-coated with a textured finish. 80-120 micron average thickness. T33 Smoke Blue smooth finish.



TOP VIEW



FRONT VIEW

SIDE VIEW

