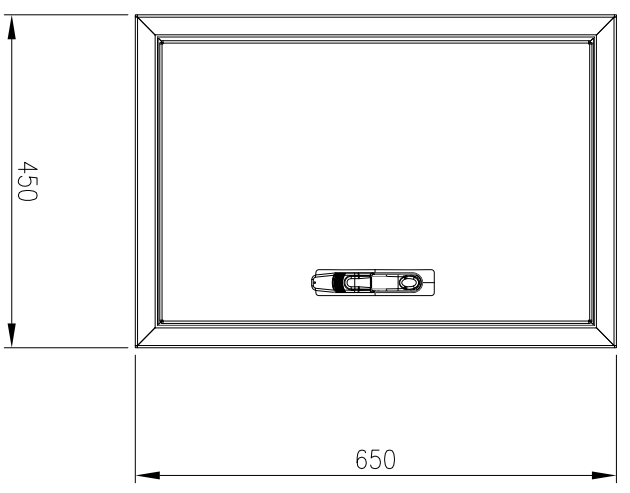
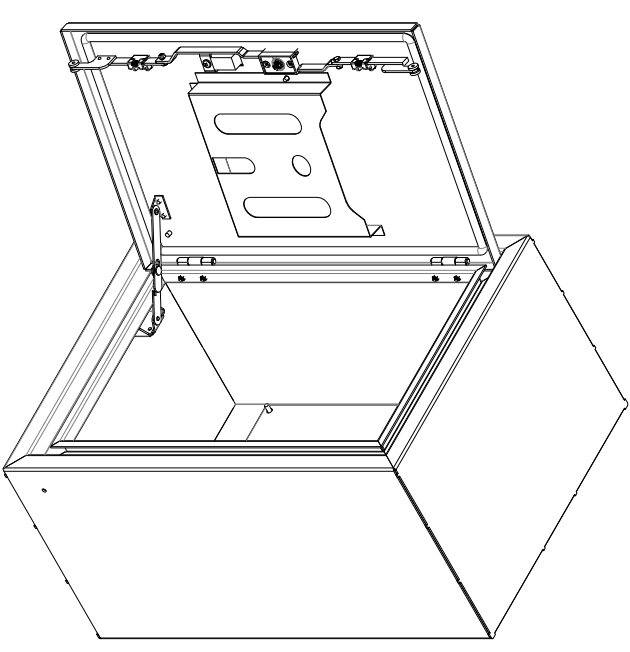
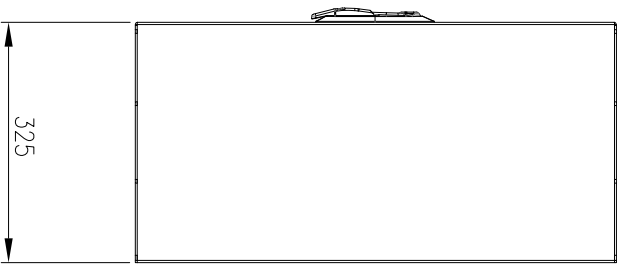


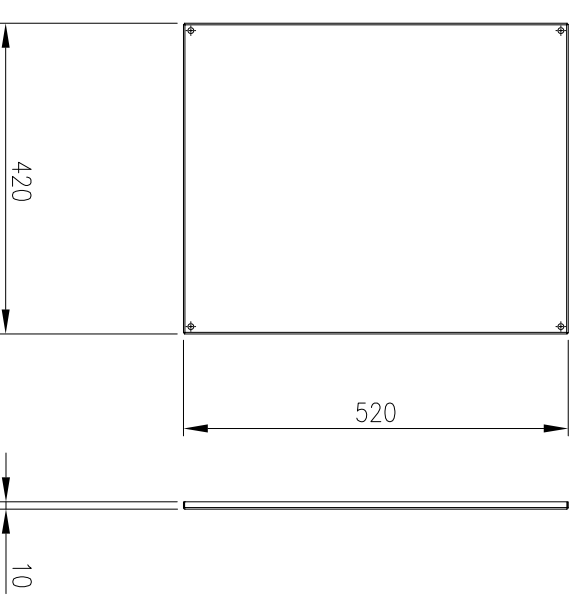
TOP VIEW



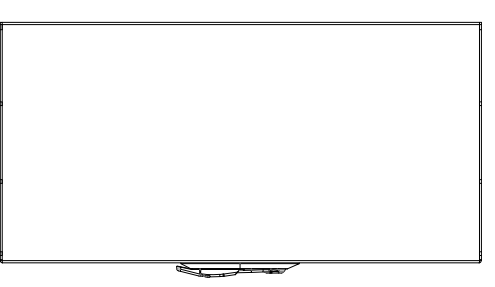
FRONT VIEW



SIDE VIEW



DEVICE MOUNTING PLATE



SIDE VIEW

MATERIAL
 BODY: 2.5mm MARINE GRADE ALUMINIUM
 DOOR: 2.5mm MARINE GRADE ALUMINIUM
 DEVICE PLATE: 1.5mm GALVANISED STEEL SHEET
 SEAL: POLYURETHANE
 SURFACE TREATMENT: POWDER-COAT 80-120micron

PROTECTION: IP66
STANDARD: IEC62208, IEC/EN/AS60529

© IP ENCLOSURES 2016.
 THIS DRAWING SHALL NOT BE COPIED OR REPRODUCED
 WITHOUT AUTHORISATION FROM IP ENCLOSURES.
 www.ipenclosures.com.au

Item#	Quantity	TradeName, designation, material, dimension etc.	Article No./Reference	Scale
IP	1	650x450x325 ALUM FIELD CABINET (NV)	IP-4654532-0-133	1:10
IP	1	420x520x10 DEVICE MOUNTING PLATE	IP-4654532-0-133	1:1

