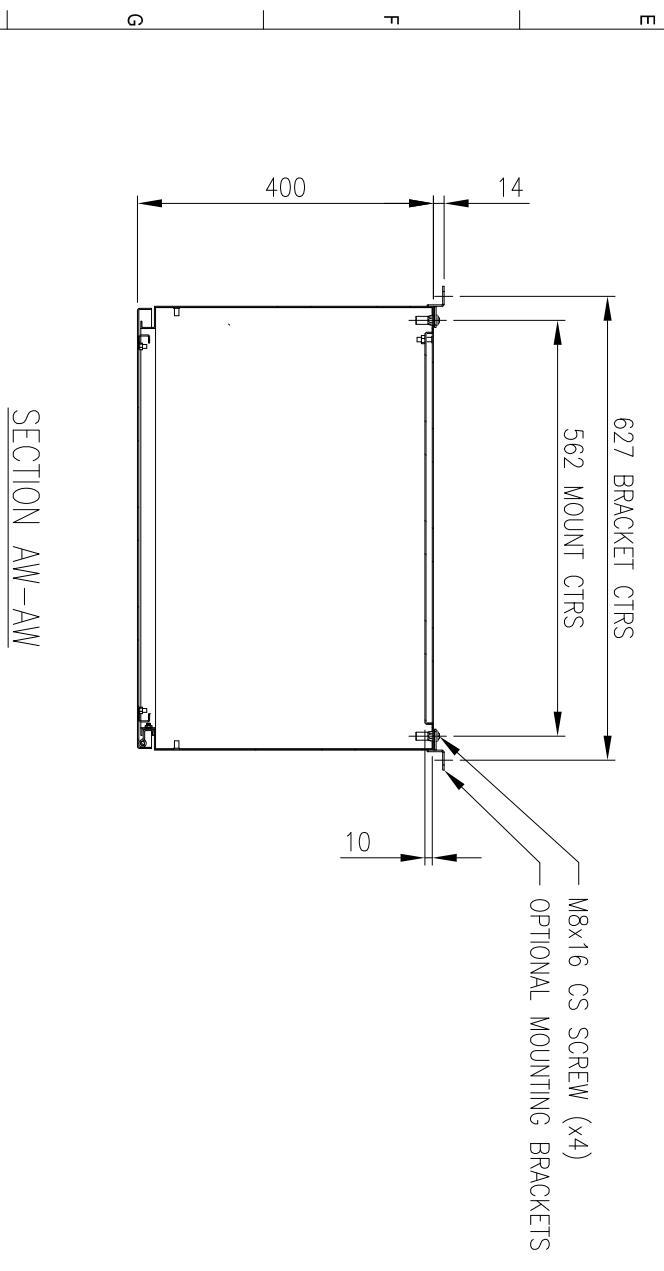


FRONT VIEW

SECTION AY-AY

INSIDE DOOR VIEW



SECTION AW-AW

DEVICE MOUNTING PLATE

MATERIAL
 BODY: MARINE GRADE ALUMINIUM
 DOOR: MARINE GRADE ALUMINIUM
 DEVICE PLATE: 1.5mm GALV STEEL
 SEAL: POLYURETHANE

PROTECTION: IP66 IK10, NEMA4x
STANDARD: IEC62208, IEC/EN/AS60529

© IP ENCLOSURES 2016.
 THIS DRAWING SHALL NOT BE COPIED OR REPRODUCED
 WITHOUT AUTHORIZATION FROM IP ENCLOSURES.
 www.ipenclosures.com.au

Item#	Quantity	TradeName, designation, material, dimension etc.	Article No./Reference
IP-606040-01	1	600x600x400 ALUMINIUM ENCLOSURE	

Designed by	Checked by	Approved by - date	Filename	Date	Scale
IP	IP	05/07/21	IP-606040-01	05/07/21	1:10

