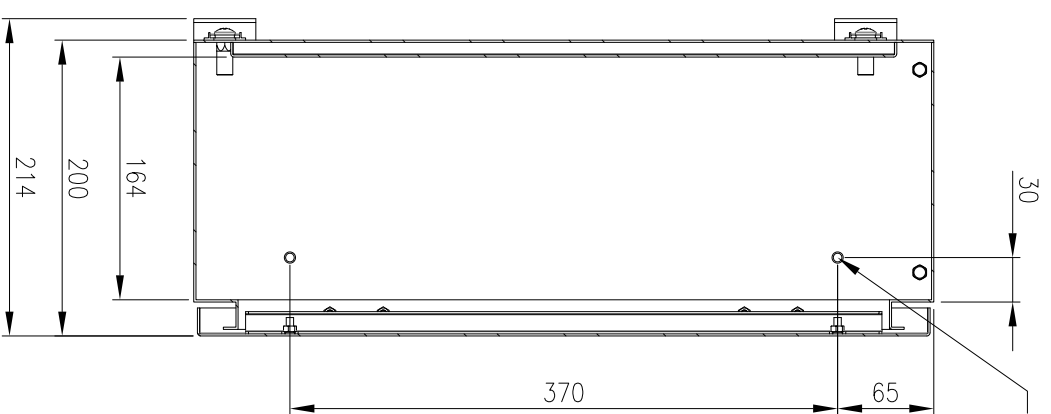
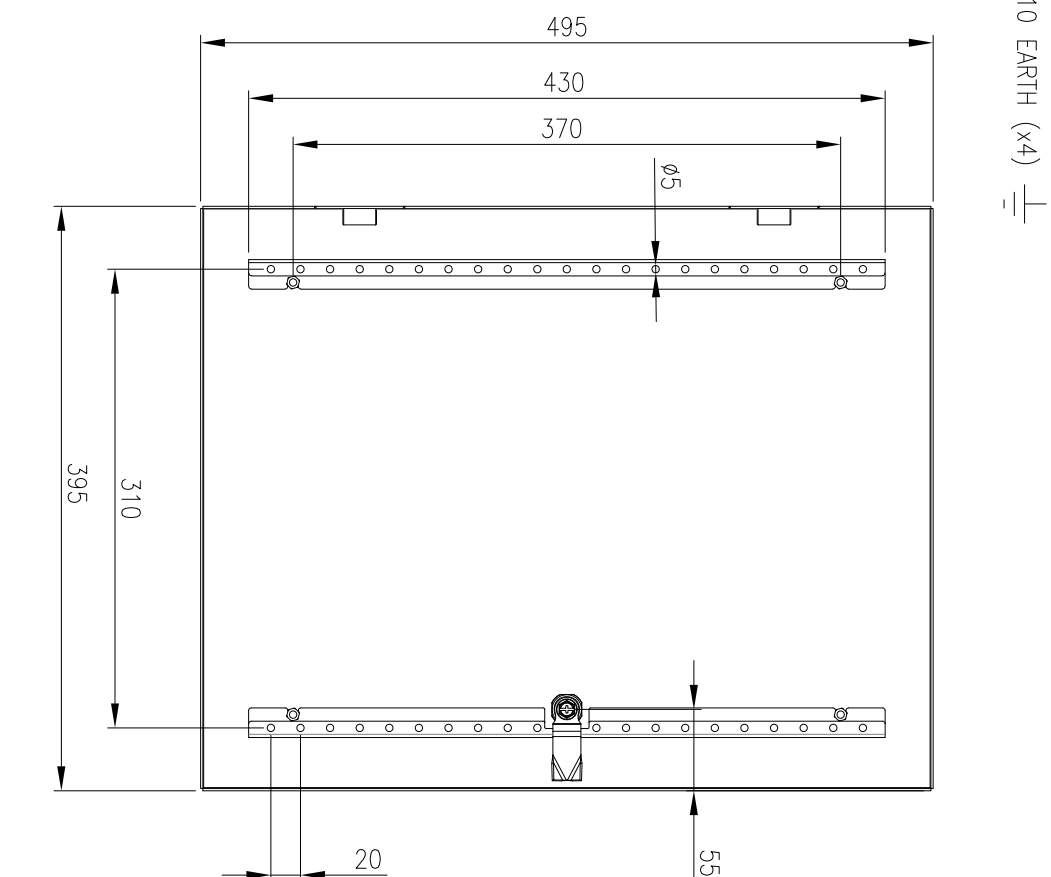


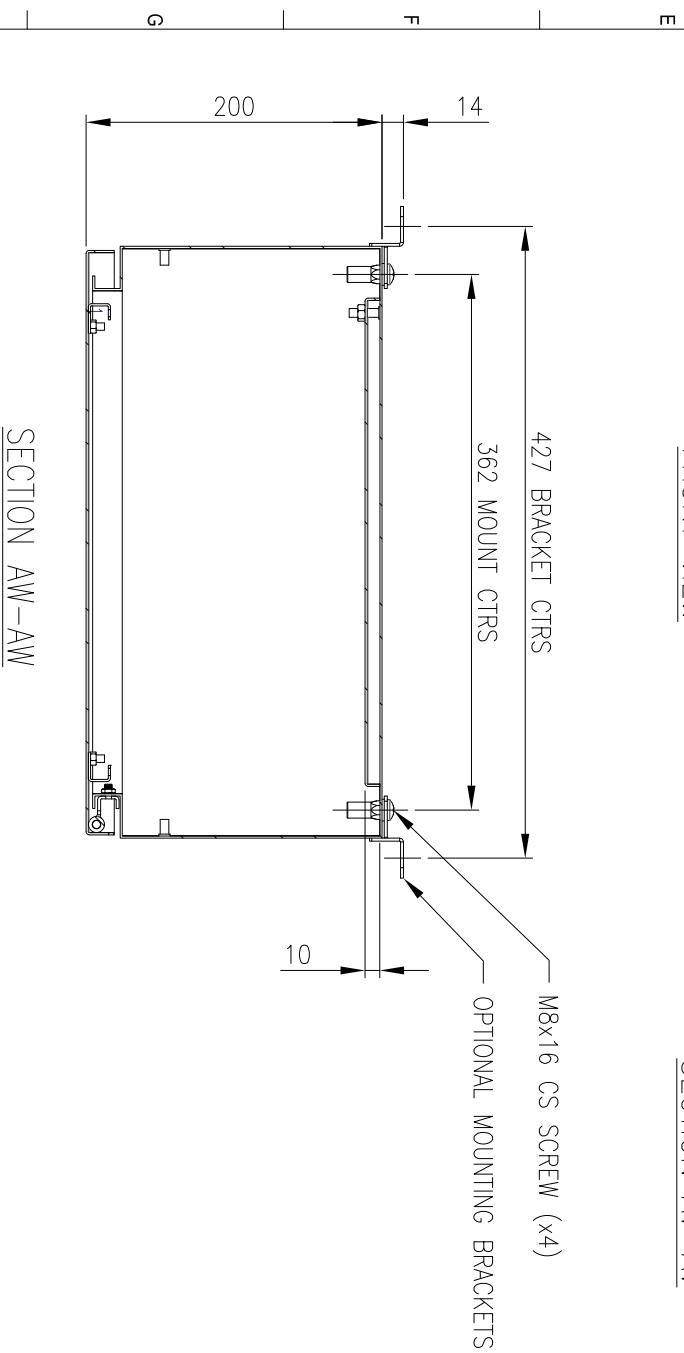
FRONT VIEW



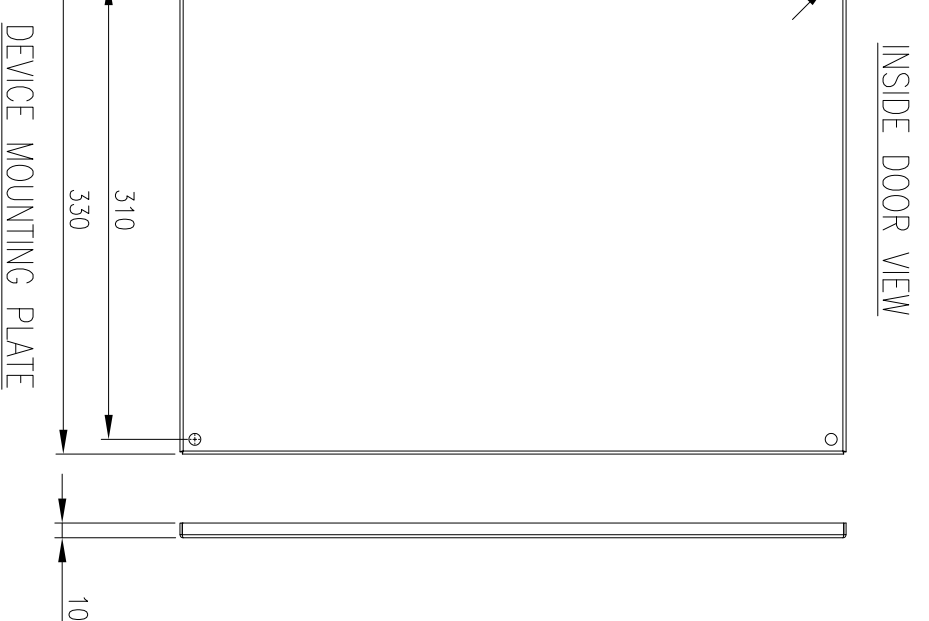
SECTION AV-AV



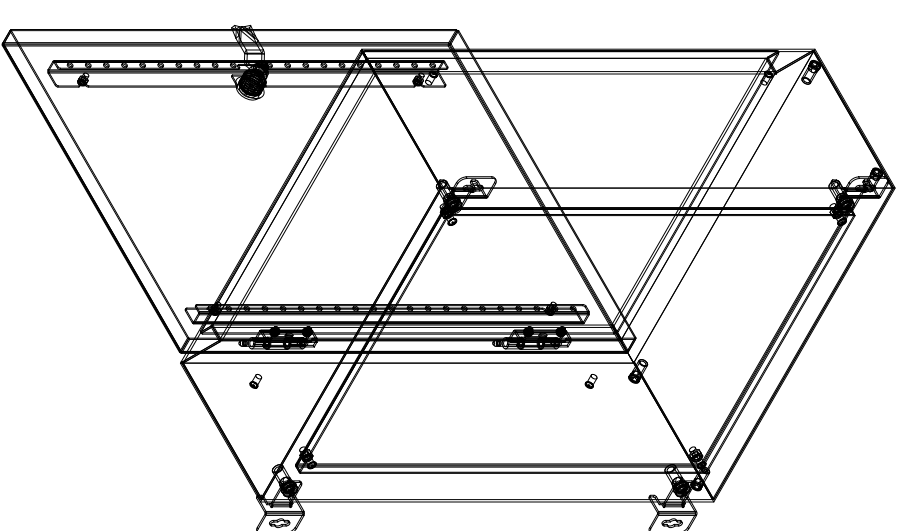
INSIDE DOOR VIEW



SECTION AW-AW



DEVICE MOUNTING PLATE



**MATERIAL**  
 BODY: MARINE GRADE ALUMINIUM  
 DOOR: MARINE GRADE ALUMINIUM  
 DEVICE PLATE: 1.5mm GALV STEEL  
 SEAL: POLYURETHANE

**PROTECTION: IP66**  
**STANDARD: IEC62208, IEC/EN/AS60529**

Item	Quantity	Thickness, designation, material, dimension etc.	Article No./Reference	Scale
IP Enclosures				1:5
Designed by	Checked by	Approved by - date	Filename	Date
IP	IP	05/07/21	IP-404020-01	05/07/21
500x400x200 ALUMINIUM ENCLOSURE				1/1
IP-4504020-01				0
				Sheet
				1/1

© IP ENCLOSURES 2016.  
 THIS DRAWING SHALL NOT BE COPIED OR REPRODUCED  
 WITHOUT AUTHORISATION FROM IP ENCLOSURES.  
 www.ipenclosures.com.au