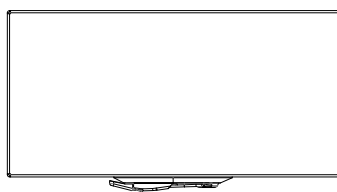
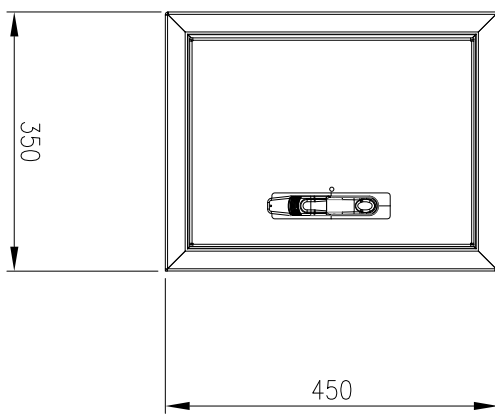


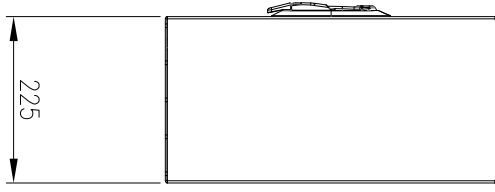
TOP VIEW



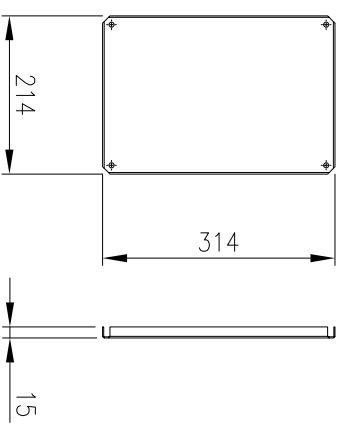
SIDE VIEW



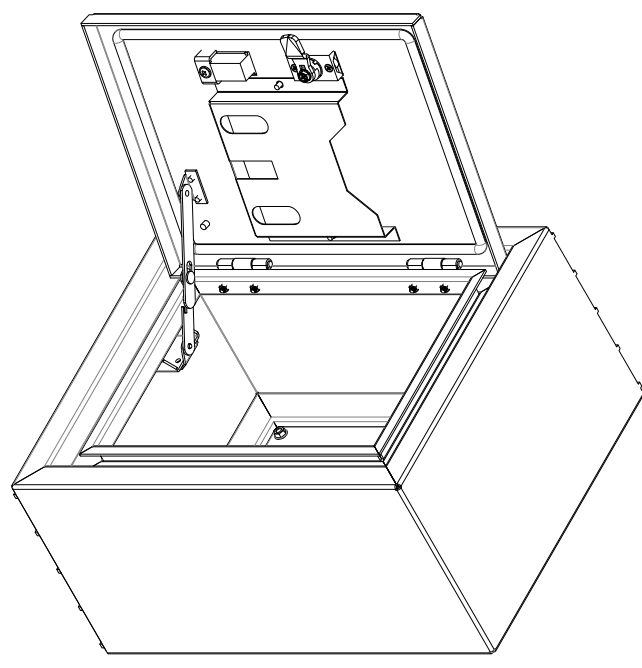
FRONT VIEW



SIDE VIEW



DEVICE MOUNTING PLATE



**MATERIAL**  
 BODY: 2.5mm MARINE GRADE ALUMINIUM  
 DOOR: 2.5mm MARINE GRADE ALUMINIUM  
 DEVICE PLATE: 1.5mm GALVANISED STEEL SHEET  
 SEAL: POLYURETHANE  
 SURFACE TREATMENT: POWDER-COAT 80-120micron

**PROTECTION:** IP66  
**STANDARD:** IEC62208, IEC/EN/AS60529

© IP ENCLOSURES 2016.  
 THIS DRAWING SHALL NOT BE COPIED OR REPRODUCED  
 WITHOUT AUTHORISATION FROM IP ENCLOSURES.  
 www.ipenclosures.com.au

Item#	Quantity	TradeName, designation, material, dimension etc.	Article No./Reference	Scale
IP	1	650x450x325 ALUM FIELD CABINET (NV)	IP-4654532-0-133	1:10
IP	1	DEVICE MOUNTING PLATE	IP-4654532-0-133	1:1

