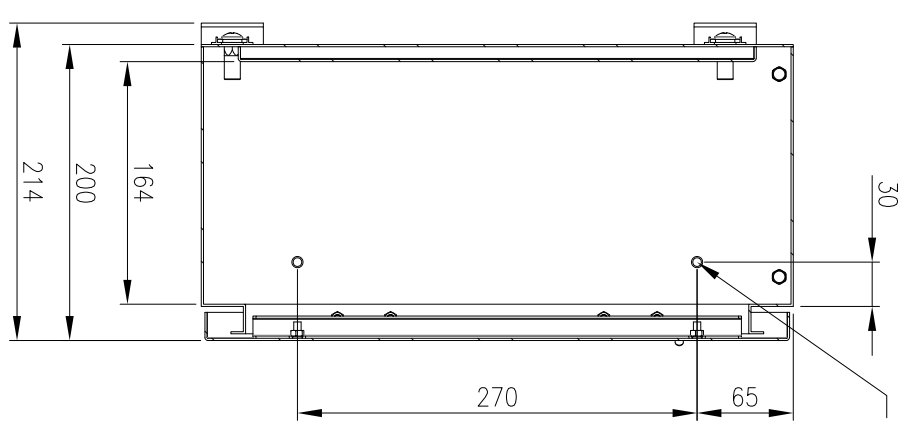
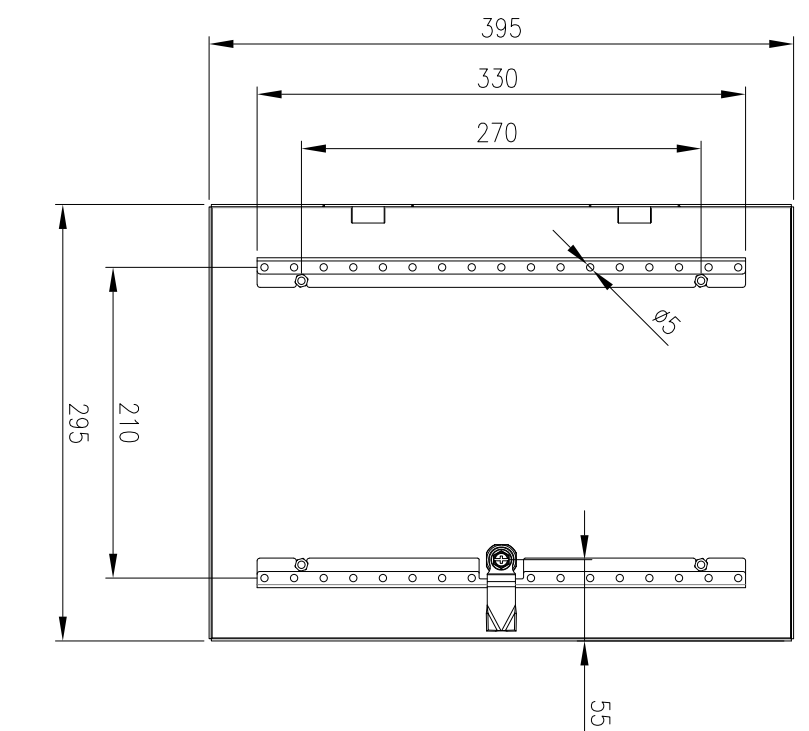


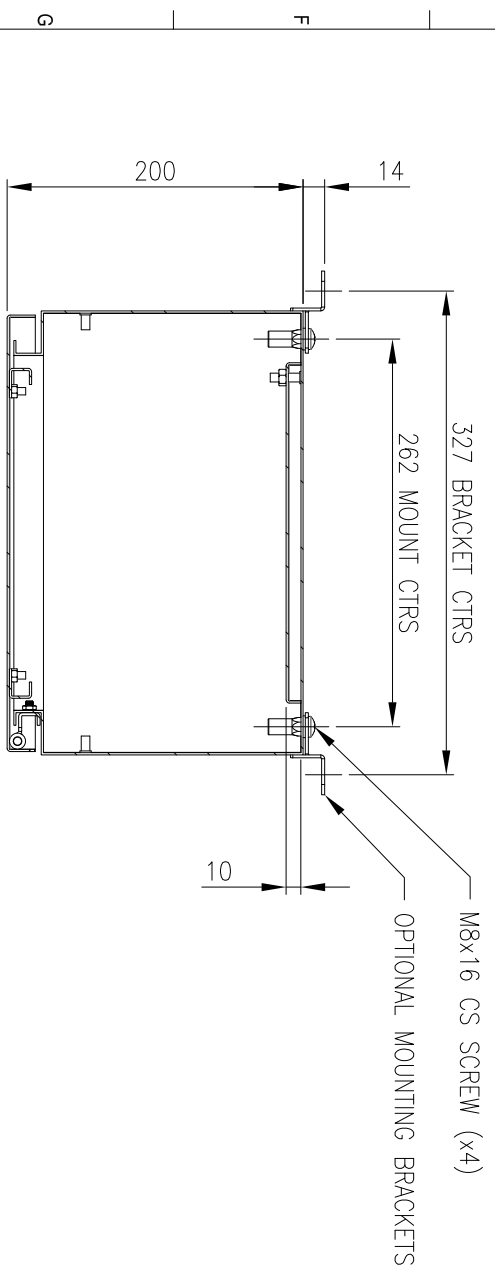
FRONT VIEW



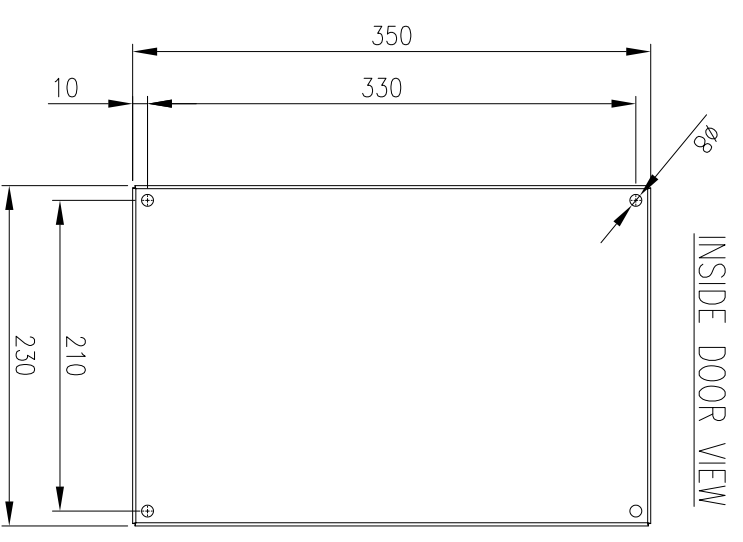
SECTION AV-AV



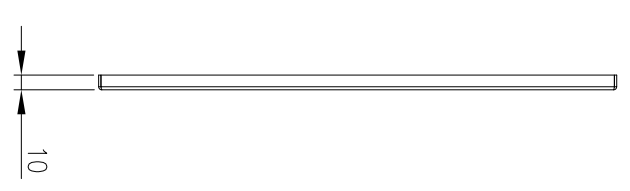
INSIDE DOOR VIEW



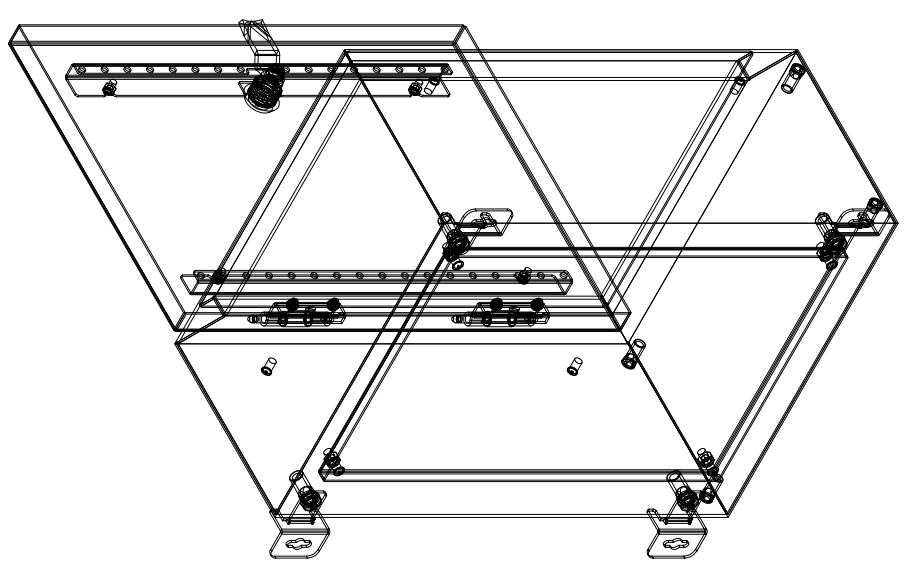
SECTION AW-AW



DEVICE MOUNTING PLATE



MATERIAL
 BODY: MARINE GRADE ALUMINUM
 DOOR: MARINE GRADE ALUMINUM
 DEVICE PLATE: 1.5mm GALV STEEL
 SEAL: POLYURETHANE
PROTECTION: IP66
STANDARD: IEC62208, IEC/EN/AS60529



© IP ENCLOSURES 2016.
 THIS DRAWING SHALL NOT BE COPIED OR REPRODUCED
 WITHOUT AUTHORIZATION FROM IP ENCLOSURES.
 www.ipenclosures.com.au

Item#	Quantity	PartName, designation, material, dimension etc.	Article No./Reference	Scale
IP		Designed by IP	File name IP-A403020-01	1:1
		Checked by IP	Date 05/07/21	
		Approved by - date 05/07/21		
400x300x200 ALUMINIUM ENCLOSURE				
IP-A403020-01				0
				1/1

