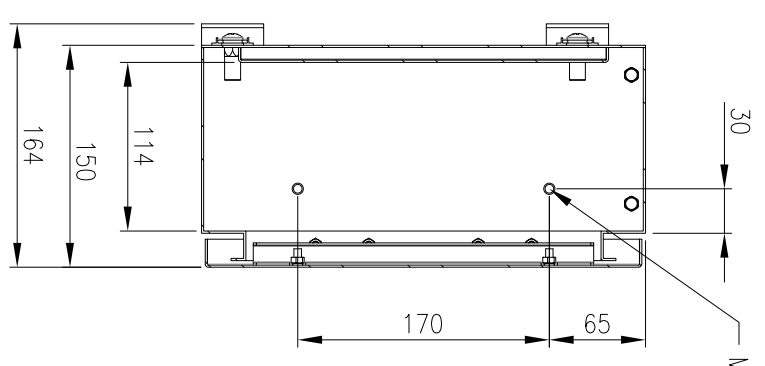
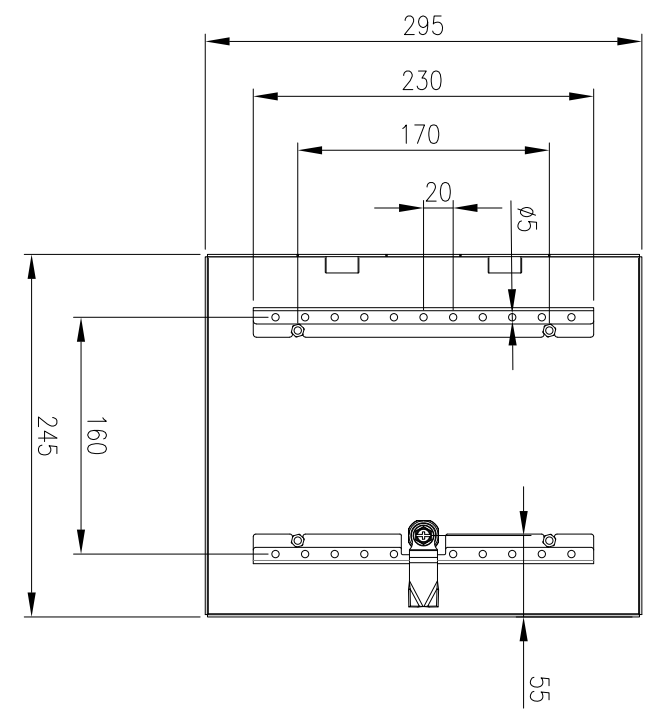


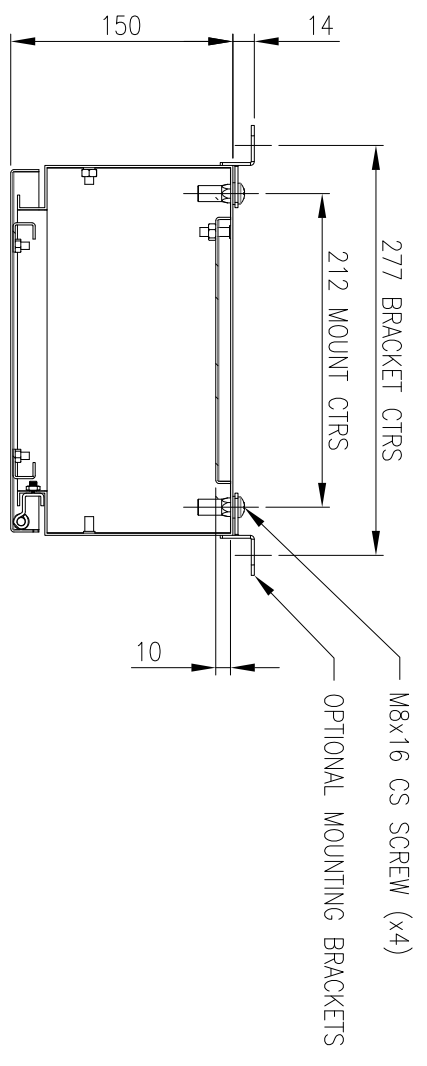
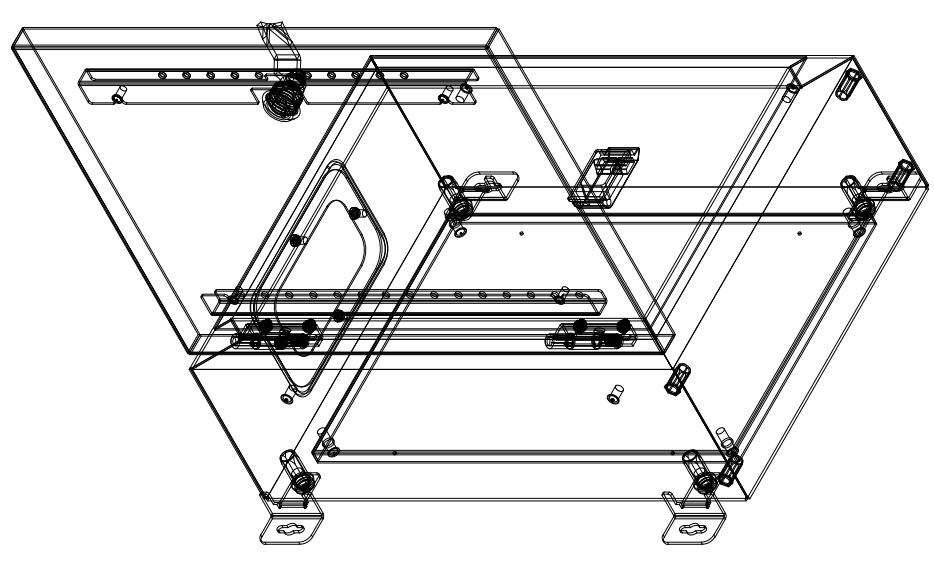
FRONT VIEW



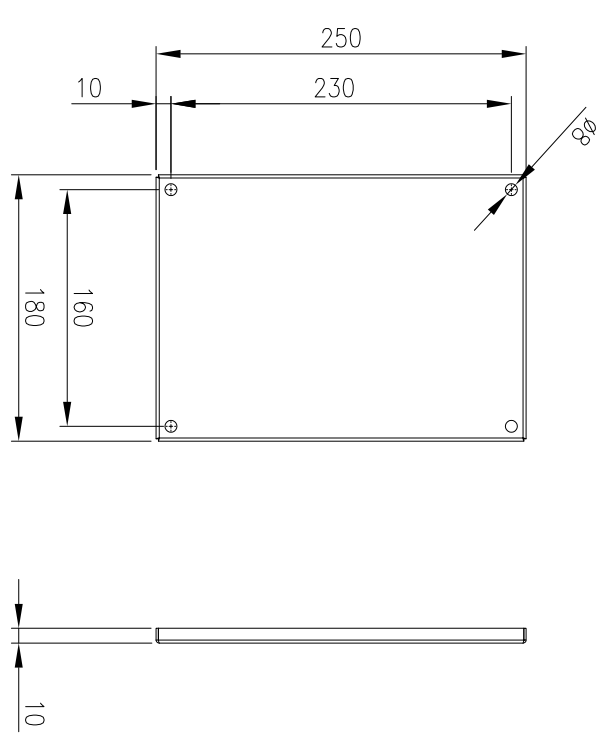
SECTION AV-AV



INSIDE DOOR VIEW



SECTION AW-AW



DEVICE MOUNTING PLATE

MATERIAL
 BODY: MARINE GRADE ALUMINUM
 DOOR: MARINE GRADE ALUMINUM
 DEVICE PLATE: 1.5mm GALV STEEL
 SEAL: POLYURETHANE

PROTECTION: IP66

STANDARD: IEC62208, IEC/EN/AS60529

© IP ENCLOSURES 2016.
 THIS DRAWING SHALL NOT BE COPIED OR REPRODUCED
 WITHOUT AUTHORISATION FROM IP ENCLOSURES.
 www.ipenclosures.com.au

Item#	Quantity	Part/Items, designation, material, dimension etc.	Article No./Reference	Scale
IP	1	300x250x150 ALUMINIUM ENCLOSURE	IP-A302515-01	1:1
IP	1	DEVICE MOUNTING PLATE	IP-A302515-01	1:1