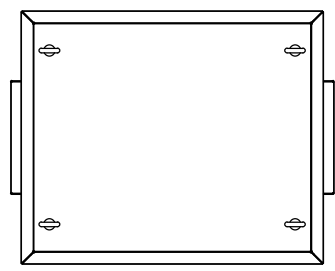
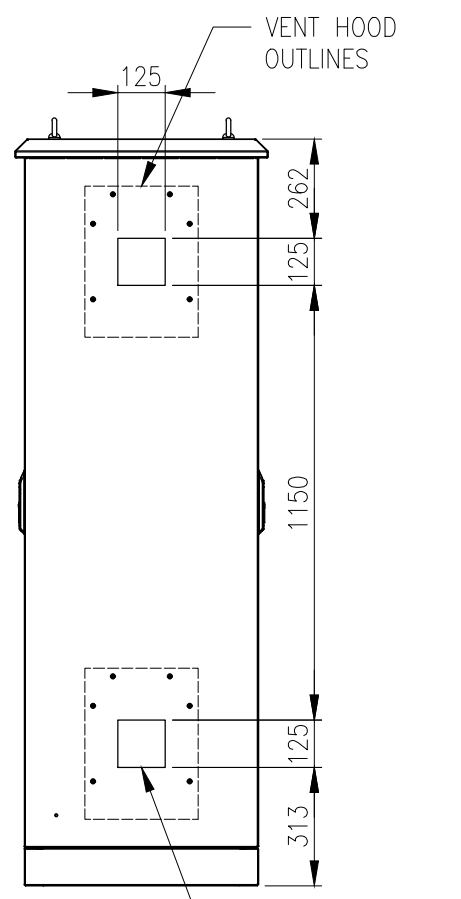


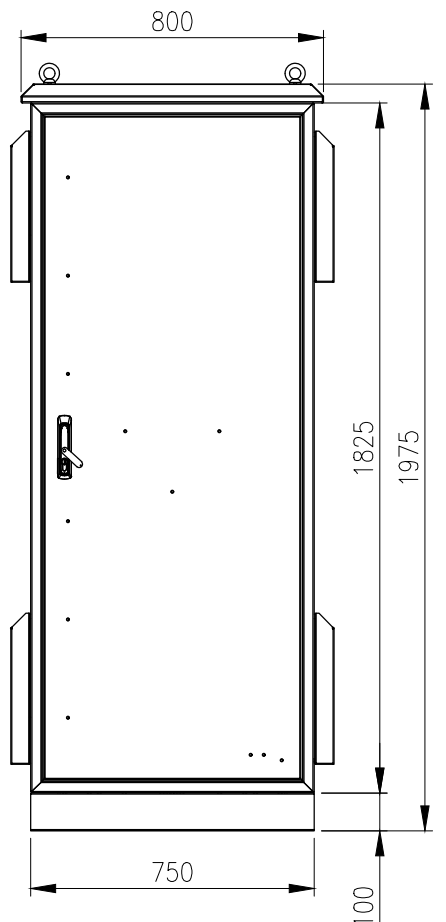
RevNo	Revision note	Date	Signature	Checked
3	GENERAL REVISION	05/11/24	IP	IP



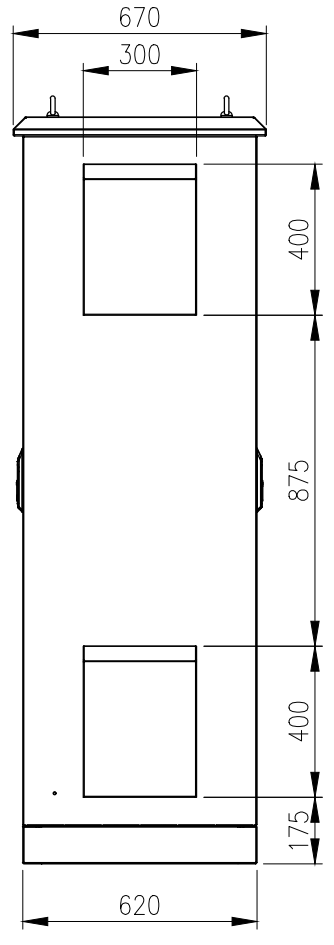
**BOTTOM VIEW**



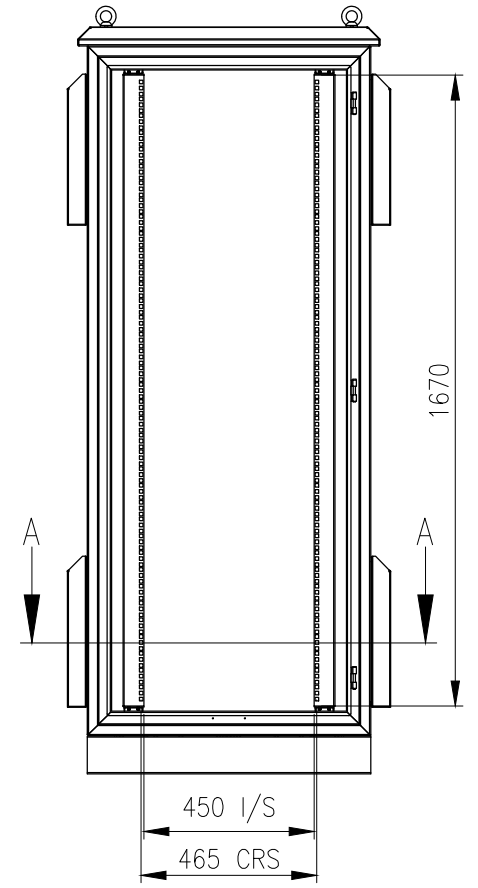
**LEFT SIDE VIEW**



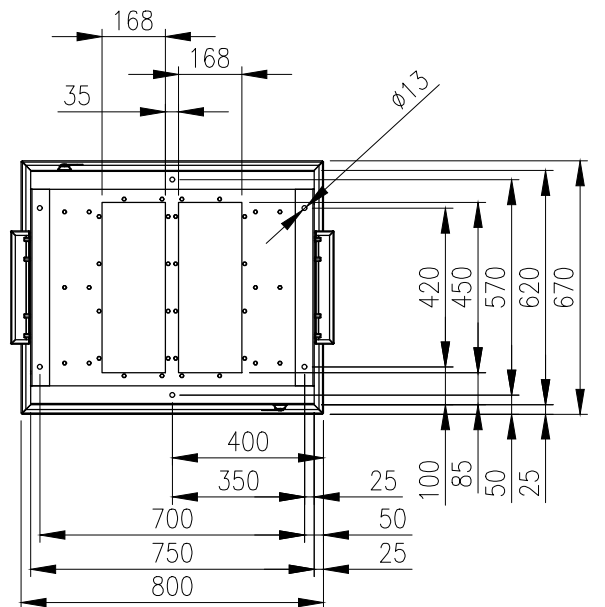
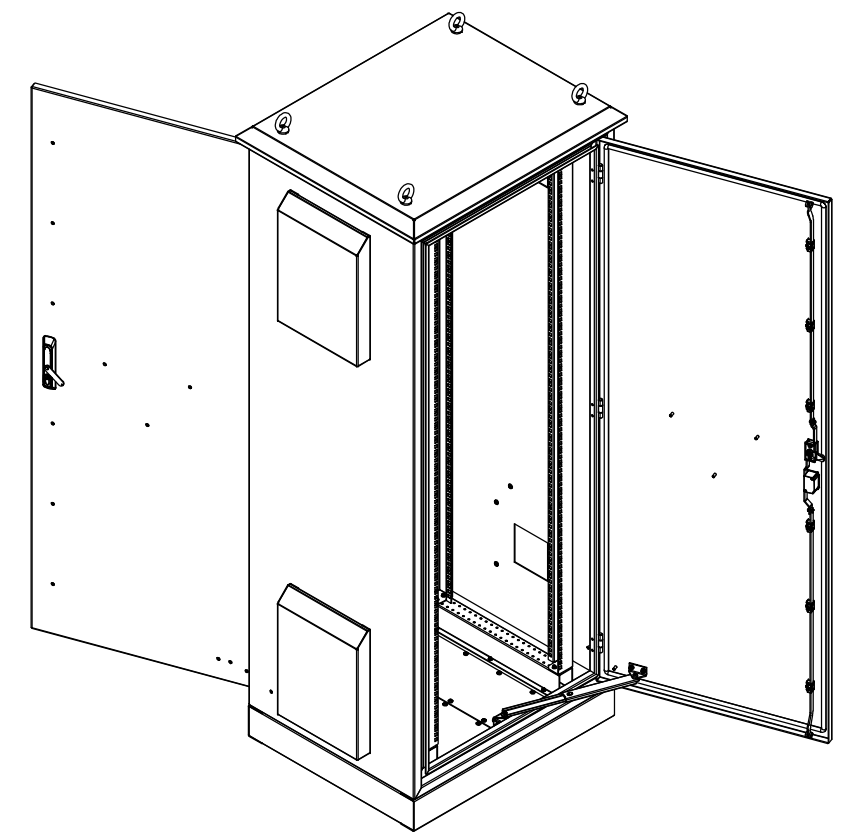
**FRONT VIEW (ASSEMBLY)**



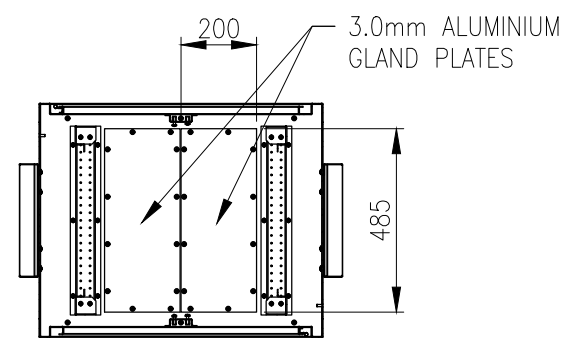
**RIGHT SIDE VIEW**



**FRONT VIEW (FRONT DOOR REMOVED)**



**BOTTOM VIEW**



**SECTION A-A**

**MATERIAL**  
 BODY AND PLINTH: 2.5mm MARINE GRADE ALUMINIUM  
 DOORS: 2.5mm MARINE GRADE ALUMINIUM  
 19" DATA RAILS: 1.5mm GALVANISED STEEL SHEET  
 GLAND PLATE: 3.0mm ALUMINIUM  
 SEAL: POLYURETHANE  
 SURFACE TREATMENT: POWDER-COAT 80-120micron  
 COLOUR: RAL7035 GREY, SMOOTH FINISH

PROTECTION: IP55 IK10 (EXCLUDING FAN/FILTER CUTOUTS)  
 STANDARD: IEC/EN62208, IEC/EN/AS60529, EIA-310D

© IP ENCLOSURES 2017.  
 THIS DRAWING SHALL NOT BE COPIED OR REPRODUCED  
 WITHOUT AUTHORISATION FROM IP ENCLOSURES.  
 www.ipenclosures.com.au

Itemref	Quantity	Title/Name, designation, material, dimension etc	Article No./Reference
IP	1	36RU CABINET ALUMINIUM 1975x750x620	IP-A1977562
Designed by	Checked by	Approved by - date	Filename
IP	IP	05/08/19	IP-A1977562
Date	Scale	Edition	
05/08/19	1:20	3	
Sheet			1/1

