

# FC 19" Field Cabinet

# IP-A1679080-AC145-KIT

ALUMINIUM | AIR-CONDITIONED 19" RACK | IP55 IK10 1675H x 900W x 800D  
19" 30RU

IP Enclosures FC range of marine grade aluminium powder-coated air-conditioned field cabinets are designed to house and cool equipment in harsh environments. They are rated IP55 and designed to prevent unauthorised access while keeping contents cool by incorporating an internally-mounted air conditioner. The air conditioner is housed in a separate compartment and is accessible via a recessed side door with louvered vent hood to enhance air flow. The cooled 19" rack compartment is rated to IP55, accessible via front and rear doors.

**Cabinet SKU:** IP-A1679080-AC145-T33

**Protection:** IP55 IK10

**Standards (& Conformities):** IEC/EN 60529, IEC/EN 62208, EIA-310-D, RoHS, AS/NZS 60335.2.40:2019, AS/NZS 60335.1:2020, SAA203165



**Rack Unit Size:** 30RU

**Material:**

- Body and Plinth: 2.5mm marine grade aluminium
- Doors: 2.5mm marine grade aluminium
- 19" Data Rack Rails: 1.5mm galvanised steel sheet
- Gland Plate: 3.0mm aluminium
- Seal: Polyurethane

**Body:** The robust monoblock body is fabricated using 2.5mm marine grade aluminium. The body is fitted with rain hood/sunshield, plinth and 4x lifting eye bolts. Flat face sealing surfaces are provided to increase seal life. A 3.0mm aluminium split gland plate is also incorporated into the bottom face. A segmented compartment is provided to house the air-conditioner. Precision automated manufacturing equipment ensures accuracy and consistent high quality.

**Doors:** The front and rear doors are fabricated using 2.5mm marine grade aluminium and are designed to provide flush recessed mounting to prevent vandalism and unauthorised access. The doors incorporate concealed removable hinges with captive pins. They are designed for a 110° opening and are provided with heavy duty door stays.

**19" Data Rack Rails:** Front and rear 19" data rack rails are fabricated from 1.5mm galvanised steel sheet.

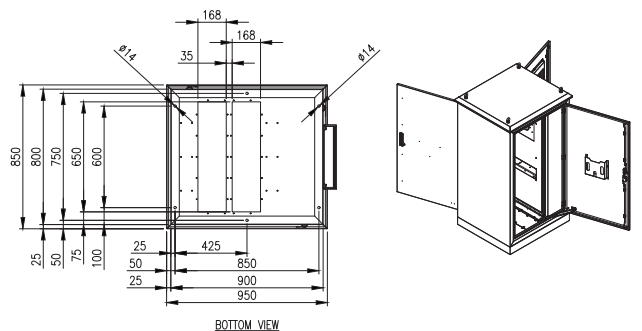
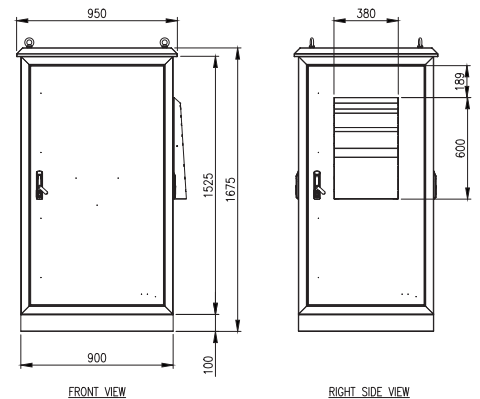
**Seals:** A high quality Polyurethane foamed in place (FIP) full perimeter door seals provide excellent sealing over a long life. Temperature resistance -40°C to 80°C (160°C short term loading).

**Locks:** Each door includes a 3 point locking system with key-lock swing handle. Optional locking including half euro keyed as required, restricted keys, Bilock and stainless steel padlockable.

**Gland Plate:** 3.0mm aluminium split gland plates are incorporated into the bottom of the enclosure for cable management.

**Surface Treatment:** UL approved AkzoNobel polyester powder coated with a smooth gloss finish, 80-120 micron average thickness, providing excellent exterior durability and colour retention. Colour RAL7035 Grey.

**Mass:** 90.0Kg.



**Air Conditioner:** IP Enclosures SAA approved compact air conditioners are designed for the cooling needs of outdoor electrical cabinets. They have been designed for high efficiency and low maintenance and include a condenser fan controller and pressure controller for the compressor.

# FC 19" Field Cabinet

# IP-A1679080-AC145-KIT

Features	Unit	IP-ACOWM145.003
Power supply	V/Hz	230V/1ph/50-60
Dimensions HxWxD	mm	800x400x200
Cooling capacity EN14511 A35-A35	W	1450/1500
Cooling capacity EN14511 A35-A50	W	1150/1200
Absorbed electric power EN14511 A35-A35	W	660/700
Absorbed electric power EN14511 A35-A50	W	800/860
Rated current	A	3.7/4.2
Motor circuit breaker / Delayed pre fuse (advised)	A	10
Electrical connection	-	Quick connector
Air flow rate (free blow) enclosure	m³/h	600/625
Operating temperature (ambient)	°C (°F)	+5 / +55 (+41 / +131)
Operating temperature (enclosure)	°C (°F)	+20 / +45 (+68 / +113)
Temperature controller (factory set at 35°C)	-	Digital thermostat with alarm; Door interlock; RS485 Interface
Refrigerant / charge	-   g	R134a   700
Condensate management	-	Condensate evaporator with safety overflow
Protection degree EN60529/1 (ambient side)	-	IP34
Protection degree EN60529/1 (enclosure side)	-	IP55
Casing	-	Galvanised steel sheet
Cover	-	Galvanised steel sheet; powder coated; RAL7035 Grey
Package dimensions HxWxD	mm	875x455x280
Weight (with packaging)	Kg	37 (38)
Conformity / Certifications	-	SAA203165, AS/NZS 60335.2.40:2019, AS/NZS 60335.1:2020 <b>CE</b>

## ACCESSORIES:

Part Number	Description
IP-M6SCREW-CAGENUT	M6 Cage Nut & Screw (Pack of 50)
IP-FD145	112Hx340Wx65D Internal Flow Diverter; Colour RAL7035 Grey
IP-L014	3 Point Swing Handle Padlockable; Polyamide & Cast Alloy Coated Black
IP-L076	3 Point Swing Handle Padlockable; Cast Alloy Coated Black

## CERTIFICATES:

IEC 60529 Degrees of protection provided by enclosures: Certificate AB-0386-T 2009.33.02/00  
 IEC/EN 62208 Empty Enclosures for low-voltage switchgear and controlgear assemblies: Certificate 0366932-TSE-01/01  
 CE Certificate of Compliance: Certificate SZT-24 MA 33485-1  
 UKCA Certificate of Compliance: Certificate SZU-22 MA 19560-1

Products are manufactured to Quality, Safety and Environmental Standards.

**WARRANTY:** 5 years.