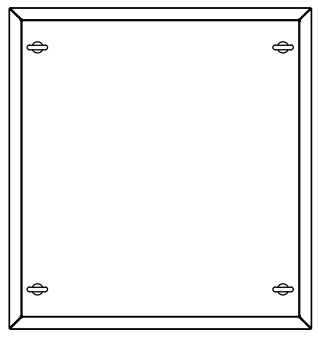
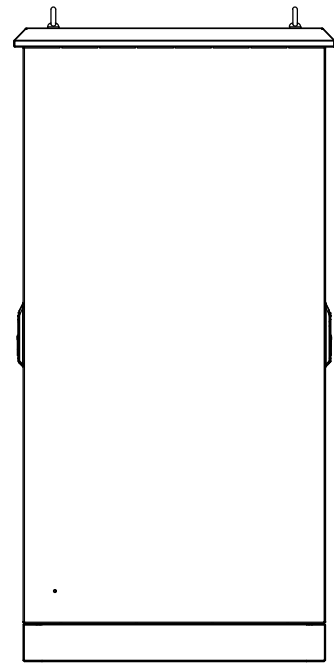


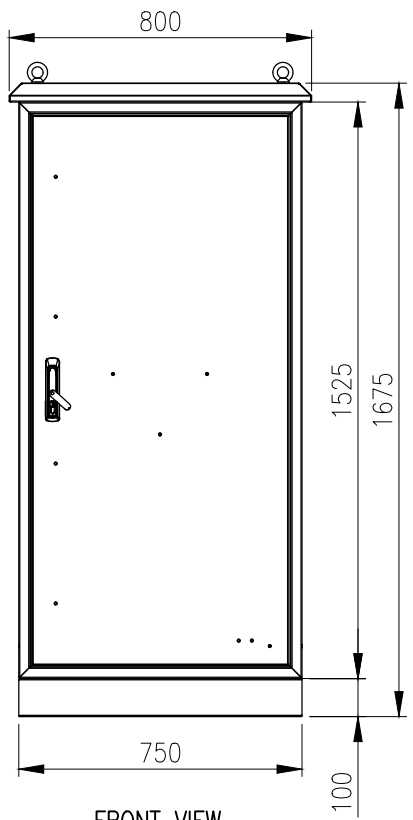
RevNo	Revision note	Date	Signature	Checked
3	GENERAL REVISION	29/10/24	IP	IP



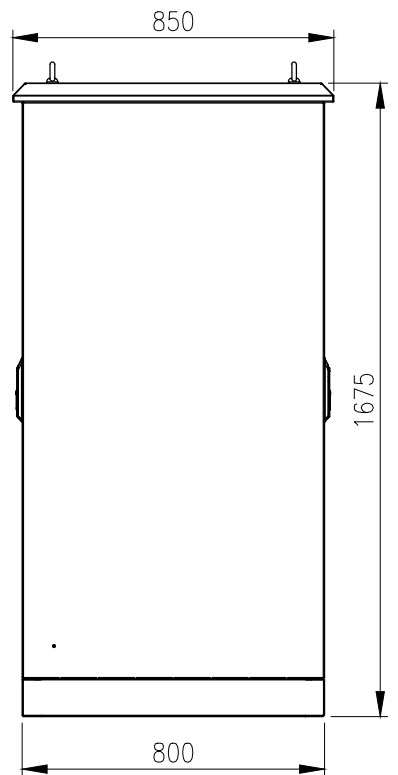
TOP VIEW



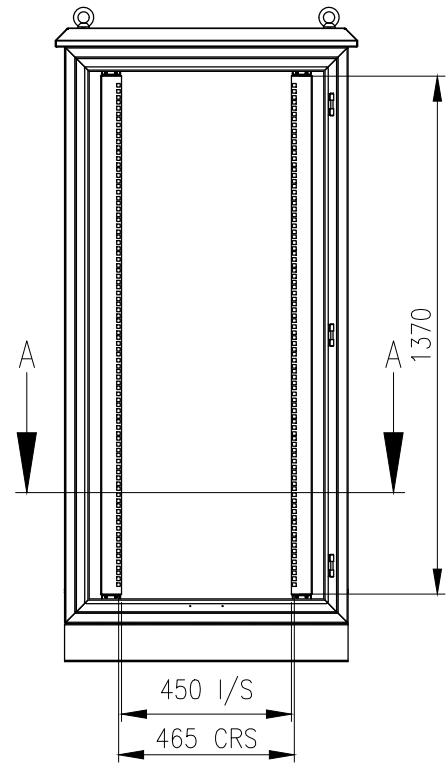
LEFT SIDE VIEW



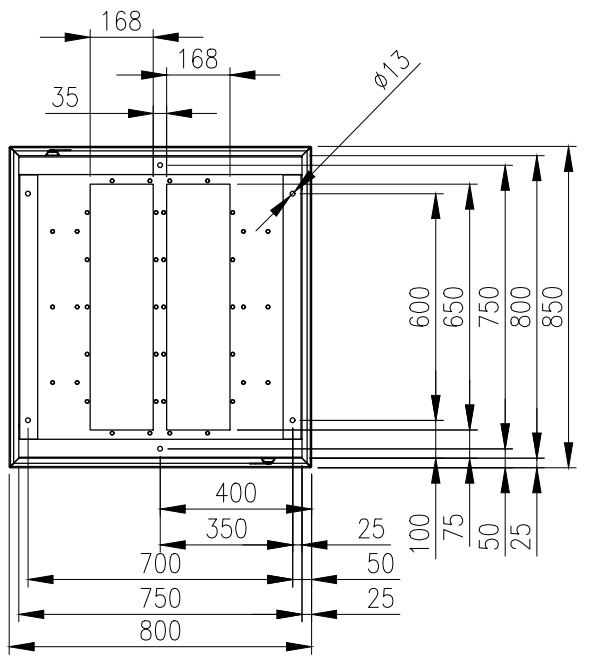
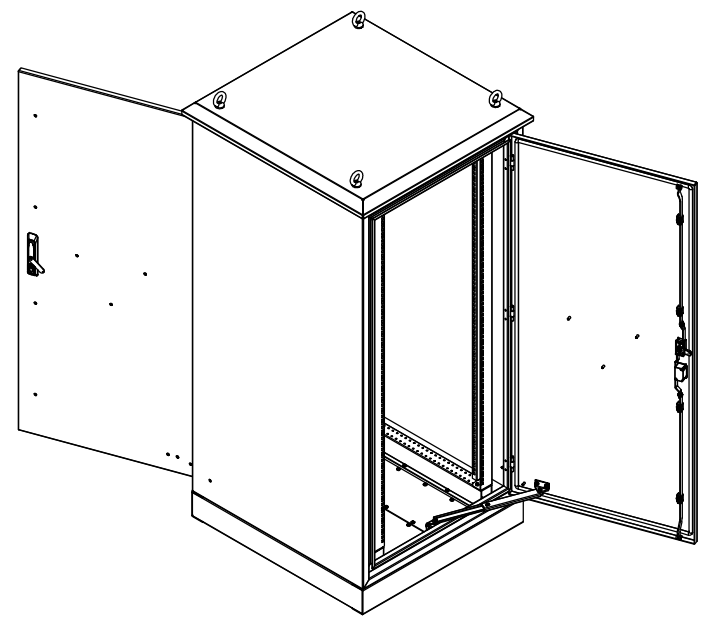
FRONT VIEW (ASSEMBLY)



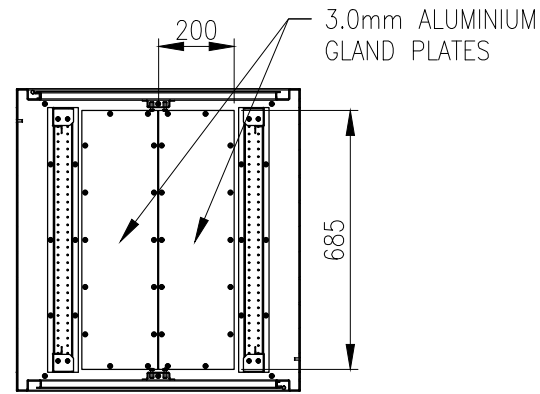
RIGHT SIDE VIEW



FRONT VIEW (FRONT DOOR REMOVED)



BOTTOM VIEW



SECTION A-A

**MATERIAL**  
 BODY AND PLINTH: 2.5mm MARINE GRADE ALUMINIUM  
 DOORS: 2.5mm MARINE GRADE ALUMINIUM  
 19" DATA RAILS: 1.5mm GALVANISED STEEL SHEET  
 GLAND PLATE: 3.0mm ALUMINIUM  
 SEAL: POLYURETHANE  
 SURFACE TREATMENT: POWDER-COAT 80-120micron  
 COLOUR: RAL7035 GREY, SMOOTH FINISH

PROTECTION: IP66 IK10  
 STANDARD: IEC/EN62208, IEC/EN/AS60529, EIA-310D

© IP ENCLOSURES 2017.  
 THIS DRAWING SHALL NOT BE COPIED OR REPRODUCED  
 WITHOUT AUTHORISATION FROM IP ENCLOSURES.  
 www.ipenclosures.com.au

Itemref	Quantity	Title/Name, designation, material, dimension etc	Article No./Reference
IP	1	30RU ALUMINIUM 1675x750x800 NO VENTS	IP-A1677580-0
Designed by	Checked by	Approved by - date	Filename
IP	IP	05/08/19	IP-A1677580-0
Date	Scale	Edition	Sheet
05/08/19	1:20	3	1/1



30RU ALUMINIUM 1675x750x800 NO VENTS  
 IP-A1677580-0