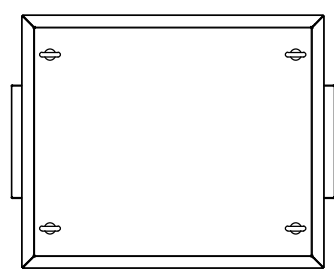
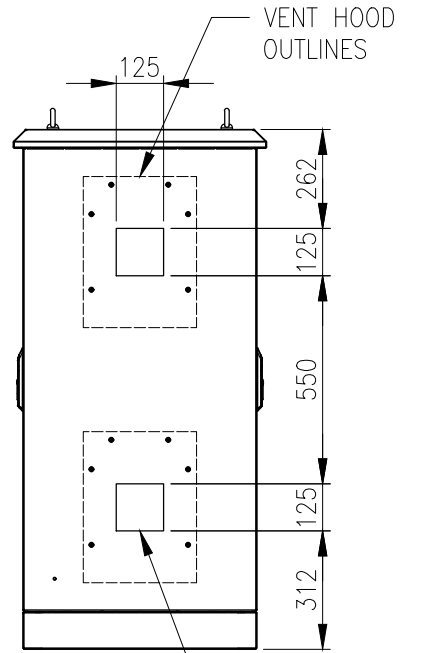


RevNo	Revision note	Date	Signature	Checked
3	GENERAL REVISION	05/11/24	IP	IP



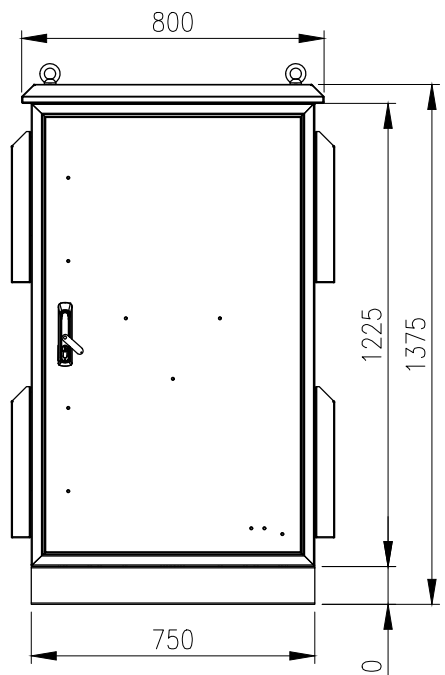
TOP VIEW



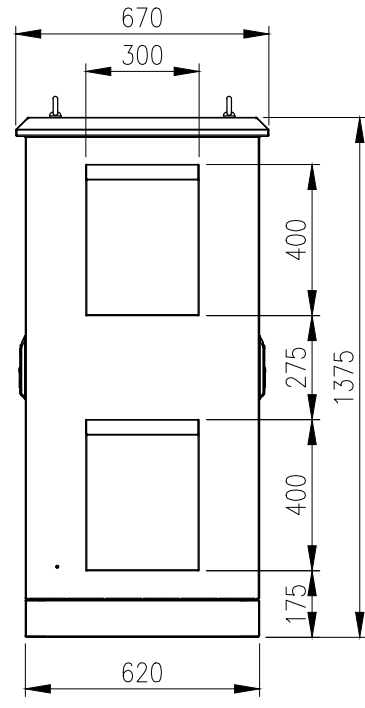
LEFT SIDE VIEW

VENT HOOD
OUTLINES

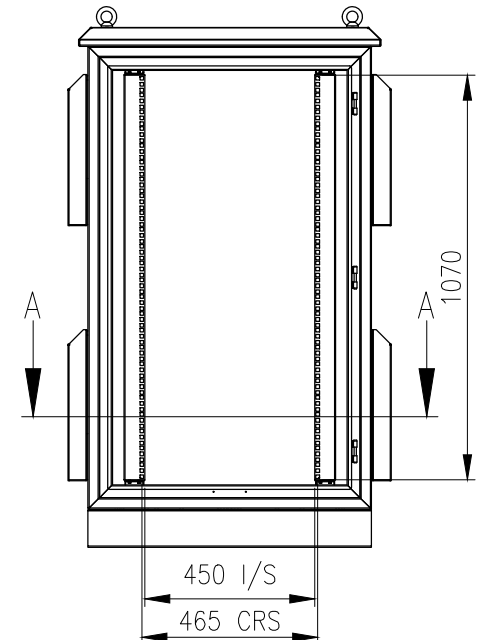
CUTOUTS FOR
FANS & FILTERS



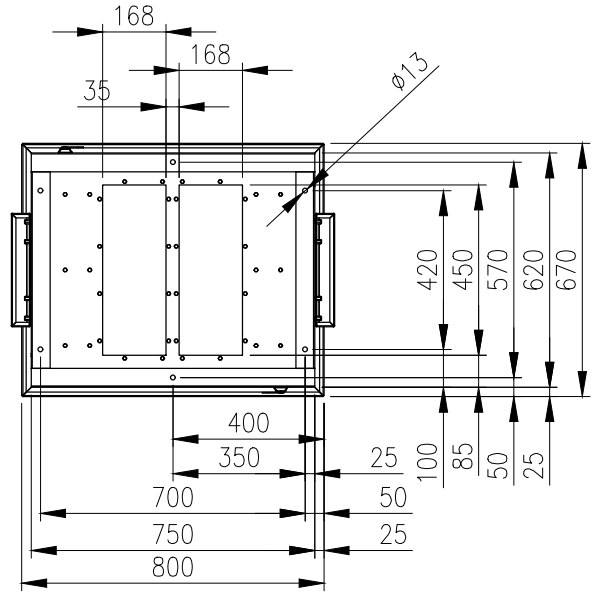
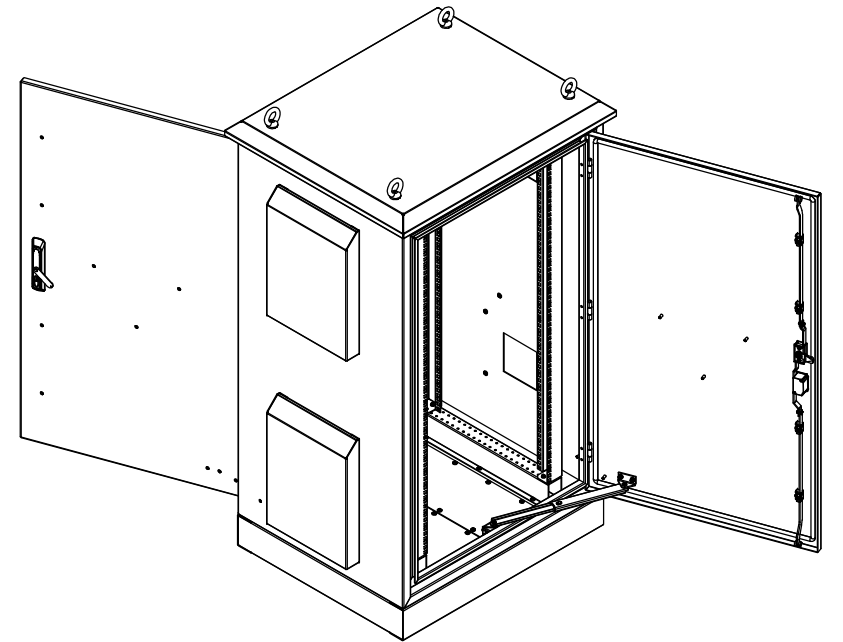
FRONT VIEW
(ASSEMBLY)



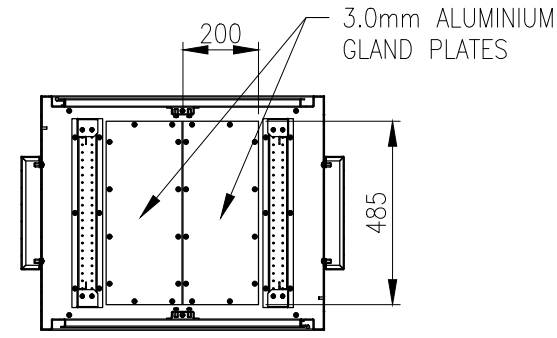
RIGHT SIDE VIEW



FRONT VIEW
(FRONT DOOR REMOVED)



BOTTOM VIEW



SECTION A-A

MATERIAL
 BODY AND PLINTH: 2.5mm MARINE GRADE ALUMINIUM
 DOORS: 2.5mm MARINE GRADE ALUMINIUM
 19" DATA RAILS: 1.5mm GALVANISED STEEL SHEET
 GLAND PLATE: 3.0mm ALUMINIUM
 SEAL: POLYURETHANE
 SURFACE TREATMENT: POWDER-COAT 80-120micron
 COLOUR: RAL7035 GREY, SMOOTH FINISH

PROTECTION: IP55 IK10 (EXCLUDING FAN/
 FILTER CUTOUTS)
 STANDARD: IEC/EN62208, IEC/EN/AS60529, EIA-310D

© IP ENCLOSURES 2017.
 THIS DRAWING SHALL NOT BE COPIED OR REPRODUCED
 WITHOUT AUTHORISATION FROM IP ENCLOSURES.
 www.ipenclosures.com.au

Itemref	Quantity	Title/Name, designation, material, dimension etc	Article No./Reference
IP	1	24RU CABINET ALUMINIUM 1375x750x620	IP-A1377562-T33
Designed by	Checked by	Approved by - date	Filename Date Scale
IP	IP	05/08/19	IP-A1377562-T33 05/08/19 1:20
			Edition 3 Sheet 1/1