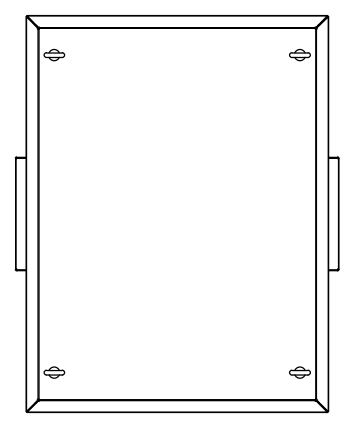
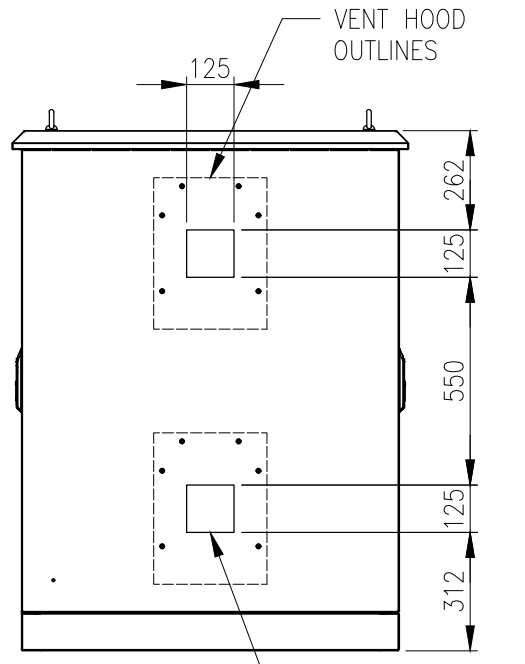


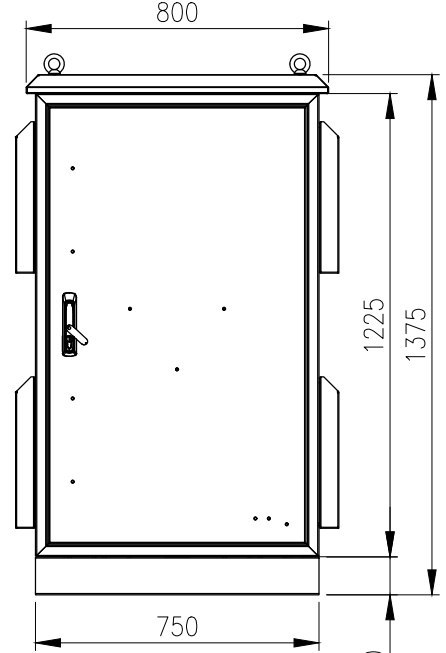
RevNo	Revision note	Date	Signature	Checked
1	GENERAL REVISION	31/10/24	IP	IP



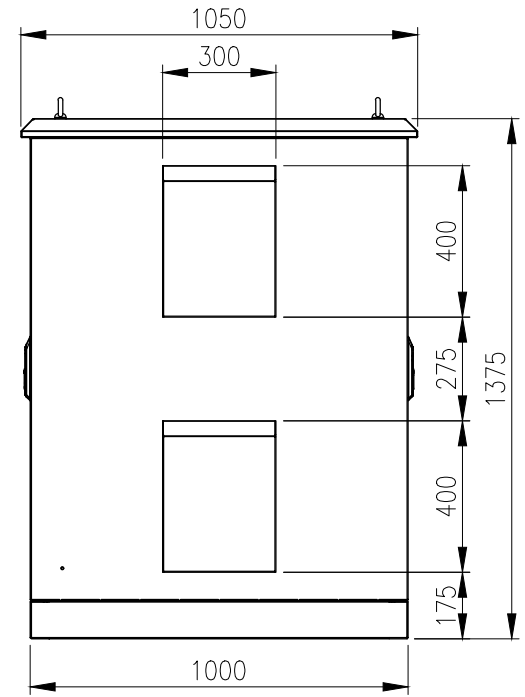
TOP VIEW



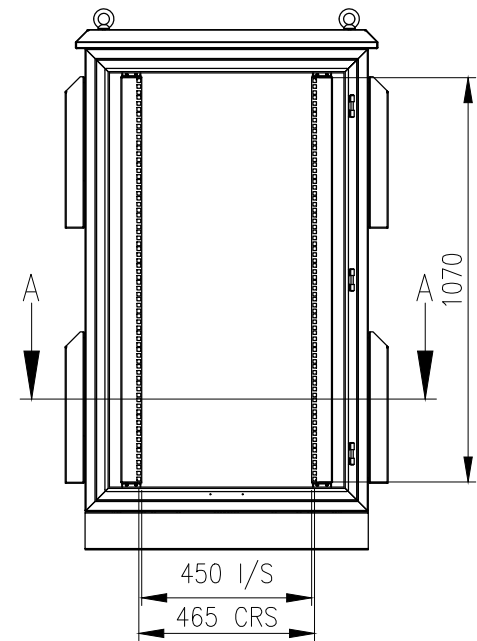
LEFT SIDE VIEW



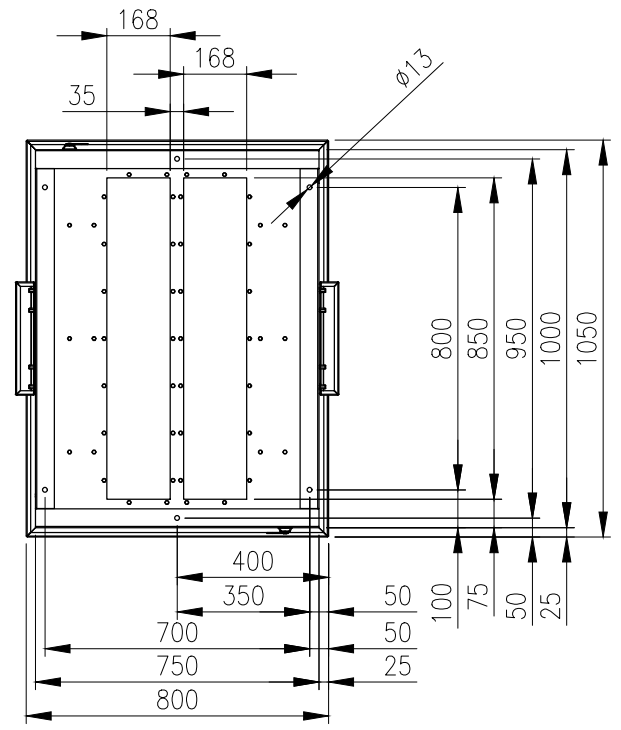
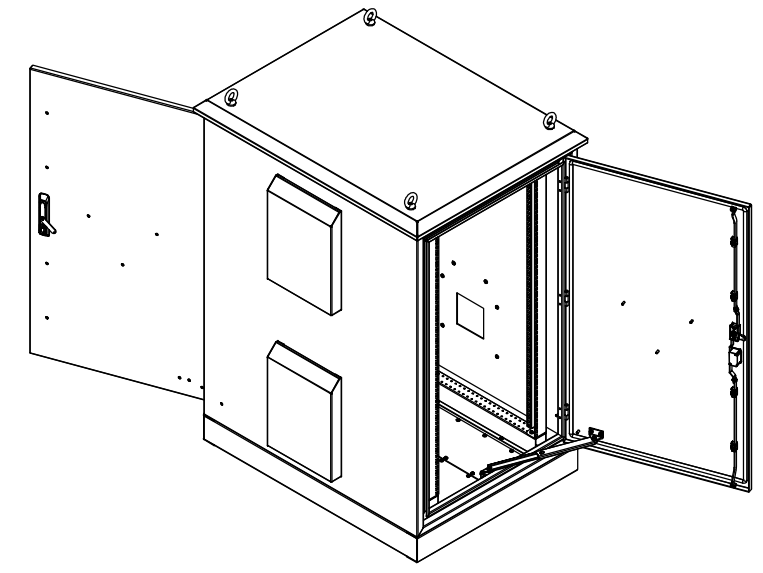
FRONT VIEW (ASSEMBLY)



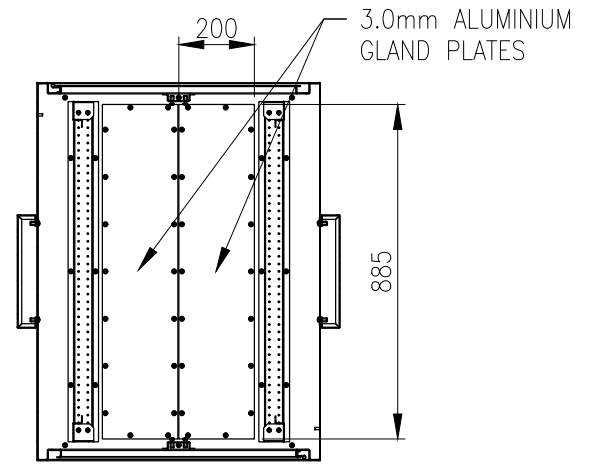
RIGHT SIDE VIEW



FRONT VIEW (FRONT DOOR REMOVED)



BOTTOM VIEW



SECTION A-A

**MATERIAL**  
 BODY AND PLINTH: 2.5mm MARINE GRADE ALUMINIUM  
 DOORS: 2.5mm MARINE GRADE ALUMINIUM  
 19" DATA RAILS: 1.5mm GALVANISED STEEL SHEET  
 GLAND PLATE: 3.0mm ALUMINIUM  
 SEAL: POLYURETHANE  
 SURFACE TREATMENT: POWDER-COAT 80-120micron  
 COLOUR: RAL7035 GREY, SMOOTH FINISH

PROTECTION: IP55 IK10 (EXCLUDING FAN/  
 FILTER CUTOUTS)  
 STANDARD: IEC/EN62208, IEC/EN/AS60529, EIA-310D

© IP ENCLOSURES 2023.  
 THIS DRAWING SHALL NOT BE COPIED OR REPRODUCED  
 WITHOUT AUTHORISATION FROM IP ENCLOSURES.  
 www.ipenclosures.com.au

Itemref	Quantity	Title/Name, designation, material, dimension etc	Article No./Reference
Designed by IP	Checked by IP	Approved by - date 16/02/23	Filename IP-A13775100
		Date 16/02/23	Scale 1:20
			24RU CABINET ALUMINIUM 1375x750x1000
IP-A13775100			Edition 1
			Sheet 1/1