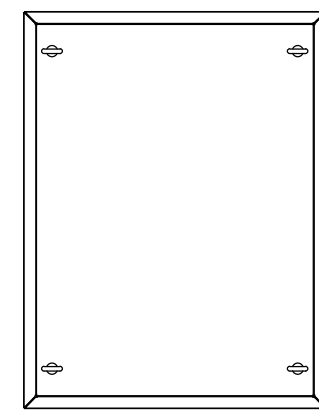
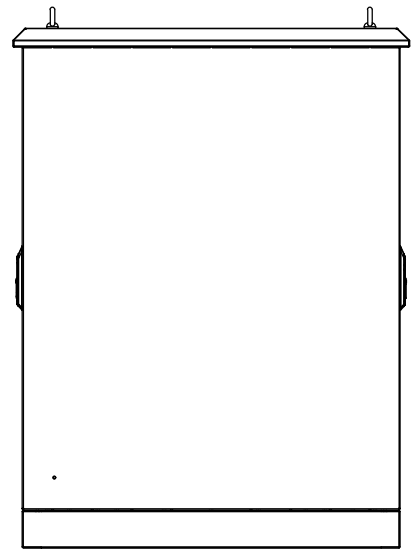


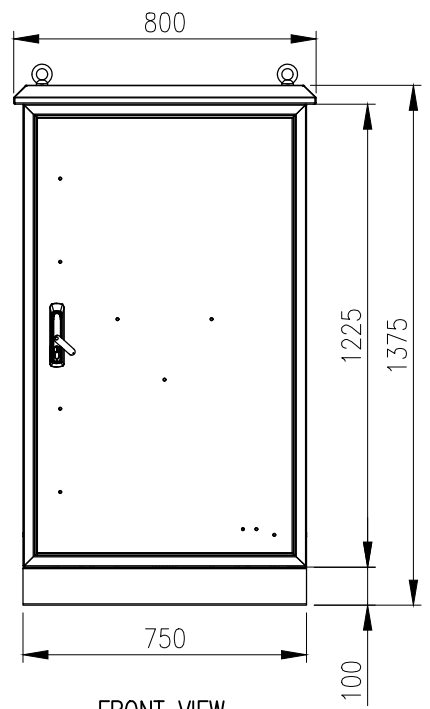
| RevNo | Revision note    | Date     | Signature | Checked |
|-------|------------------|----------|-----------|---------|
| 1     | GENERAL REVISION | 28/10/24 | IP        | IP      |



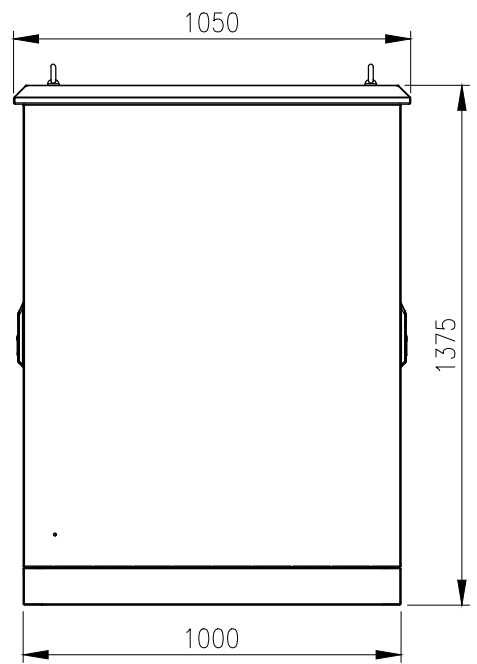
TOP VIEW



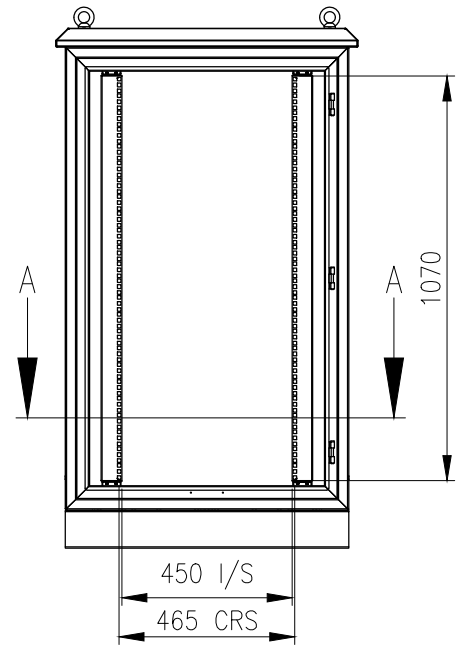
LEFT SIDE VIEW



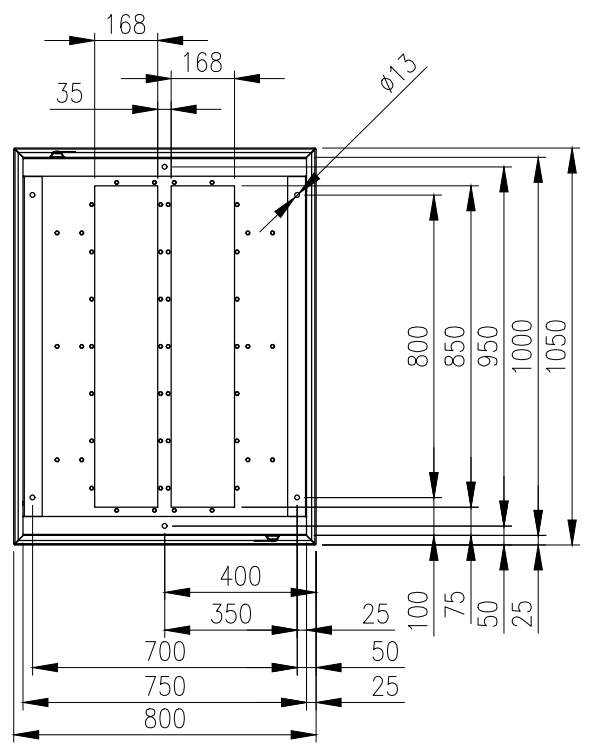
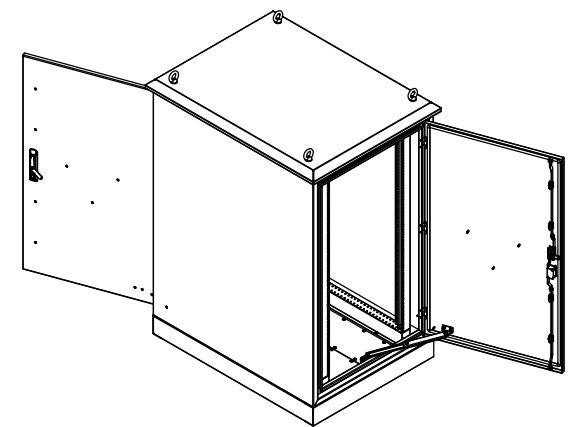
FRONT VIEW (ASSEMBLY)



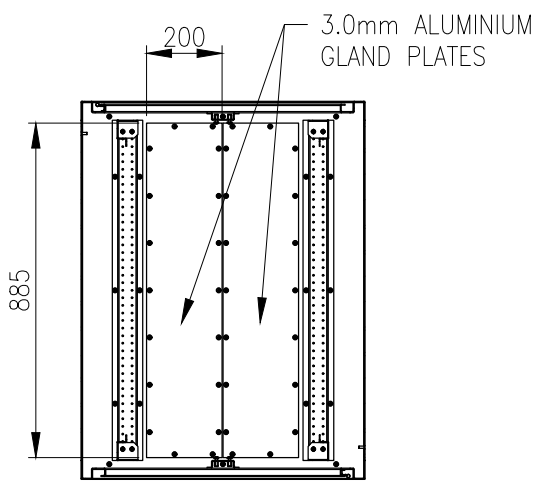
RIGHT SIDE VIEW



FRONT VIEW (FRONT DOOR REMOVED)



BOTTOM VIEW



SECTION A-A

**MATERIAL**  
 BODY AND PLINTH: 2.5mm MARINE GRADE ALUMINIUM  
 DOORS: 2.5mm MARINE GRADE ALUMINIUM  
 19" DATA RAILS: 1.5mm GALVANISED STEEL SHEET  
 GLAND PLATE: 3.0mm ALUMINIUM  
 SEAL: POLYURETHANE  
 SURFACE TREATMENT: POWDER-COAT 80-120micron  
 COLOUR: RAL7035 GREY, SMOOTH FINISH

PROTECTION: IP66 IK10  
 STANDARD: IEC/EN62208, IEC/EN/AS60529, EIA-310D

© IP ENCLOSURES 2023.  
 THIS DRAWING SHALL NOT BE COPIED OR REPRODUCED  
 WITHOUT AUTHORISATION FROM IP ENCLOSURES.  
 www.ipenclosures.com.au

| Itemref           | Quantity         | Title/Name, designation, material, dimension etc | Article No./Reference  |
|-------------------|------------------|--|--|
| Designed by<br>IP | Checked by<br>IP | Approved by - date<br>16/02/23                   | Filename<br>IP-A13775100-0                                     |
| Date<br>16/02/23  |                  |  | Scale<br>1:20  |
|                   |                  |  | <b>24RU ALUMINIUM 1375x750x1000 NO VENTS</b><br>IP-A13775100-0 |
| Edition<br>1      |                  |  | Sheet<br>1/1   |