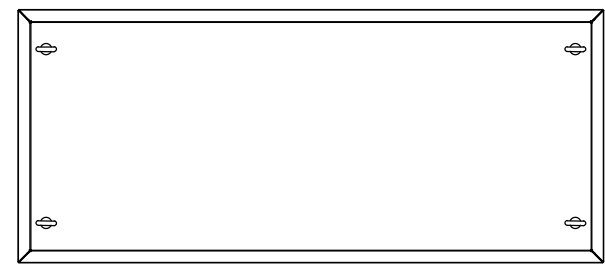
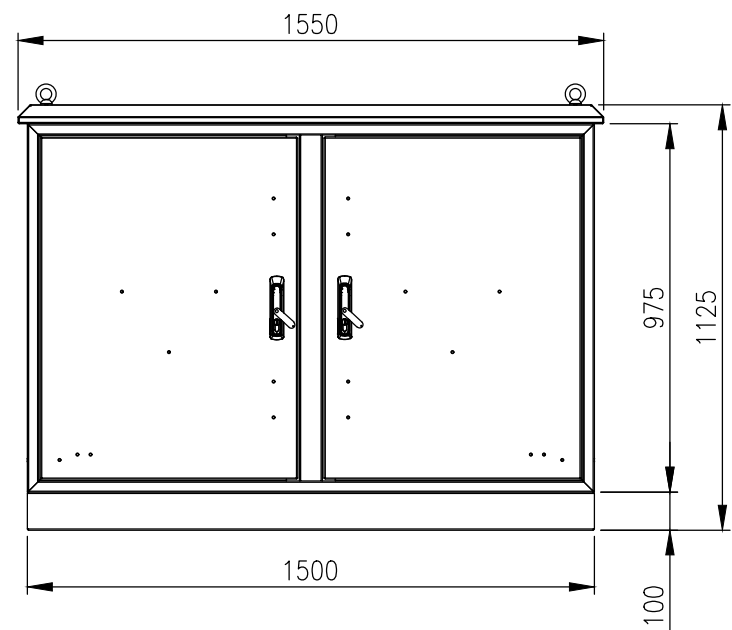


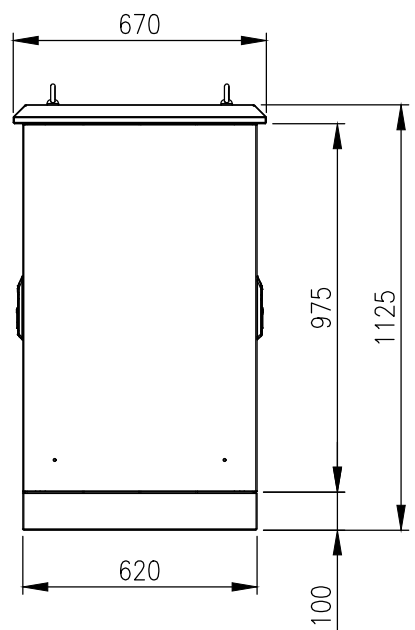
| RevNo | Revision note | Date | Signature | Checked |
|-------|------------------|----------|-----------|---------|
| 1 | GENERAL REVISION | 19/08/25 | IP | IP |



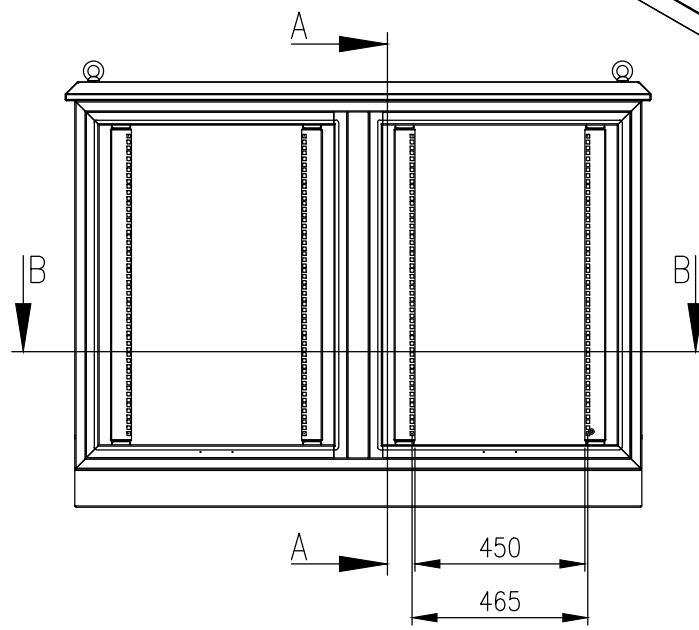
TOP VIEW



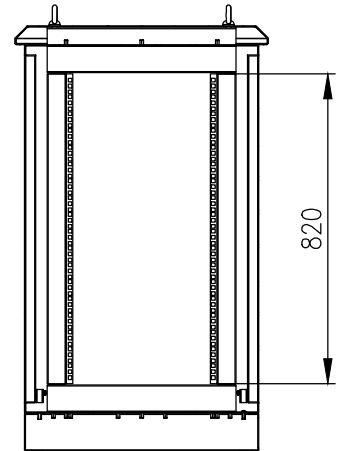
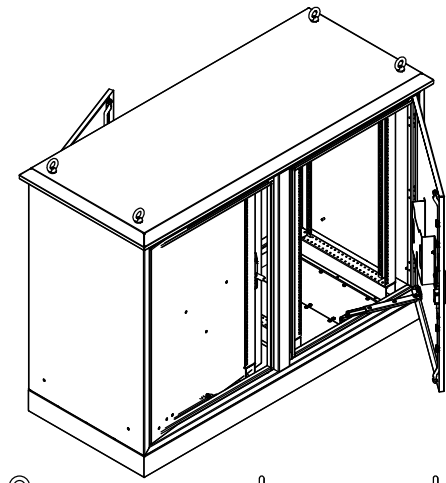
FRONT VIEW



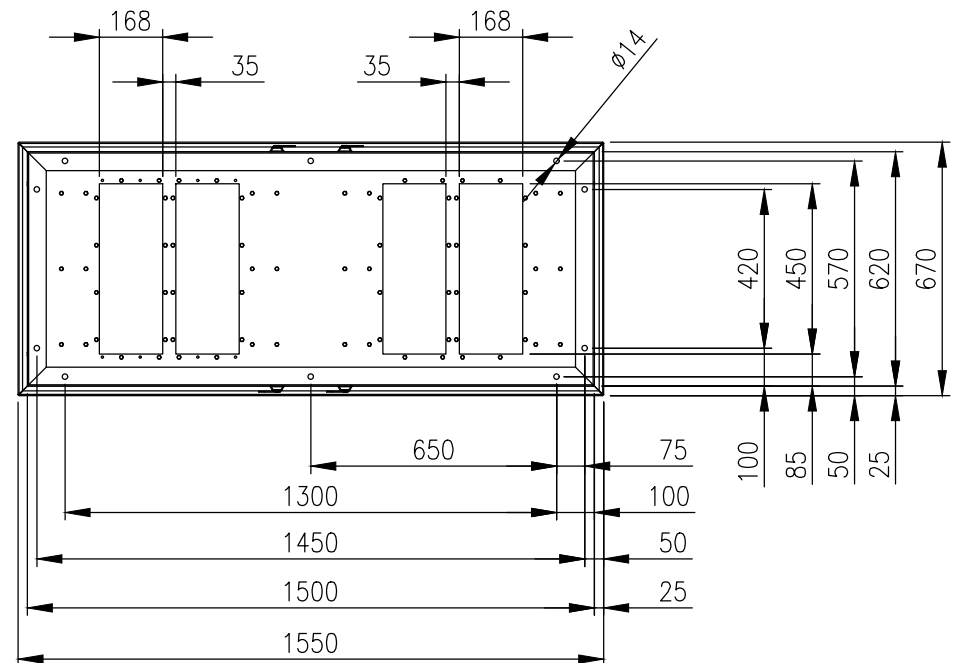
RIGHT SIDE VIEW



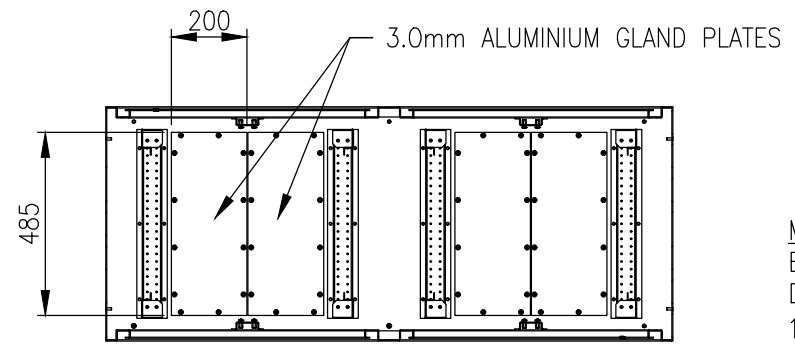
INTERIOR VIEW—DOOR REMOVED



SECTION A-A



BOTTOM VIEW



SECTION B-B

MATERIAL
 BODY AND PLINTH: 2.5mm MARINE GRADE ALUMINIUM
 DOORS: 2.5mm MARINE GRADE ALUMINIUM
 19" DATA RAILS: 1.5mm GALVANISED STEEL SHEET
 GLAND PLATE: 3.0mm ALUMINIUM
 SEAL: POLYURETHANE
 SURFACE TREATMENT: POWDER-COAT 80-120micron
 COLOUR: RAL7035 GREY, SMOOTH FINISH

PROTECTION: IP66 IK10
 STANDARD: IEC/EN62208, IEC/EN/AS60529, EIA-310D

© IP ENCLOSURES 2024.
 THIS DRAWING SHALL NOT BE COPIED OR REPRODUCED
 WITHOUT AUTHORISATION FROM IP ENCLOSURES.
 www.ipenclosures.com.au

| Itemref | Quantity | Title/Name, designation, material, dimension etc | Article No./Reference |
|-------------------|------------------|--|--|
| Designed by IP | Checked by IP | Approved by - date 08/01/24 | Filename IP-A10715062-0 |
| | | Date 08/01/24 | Scale 1:20 |
| | | | 2x18RU (36RU) ALUMINIUM FIELD CABINET 1075x1500x620 DOUBLE BAY IP-A10715062-0 |
| | | Edition 1 | Sheet 1/1 |