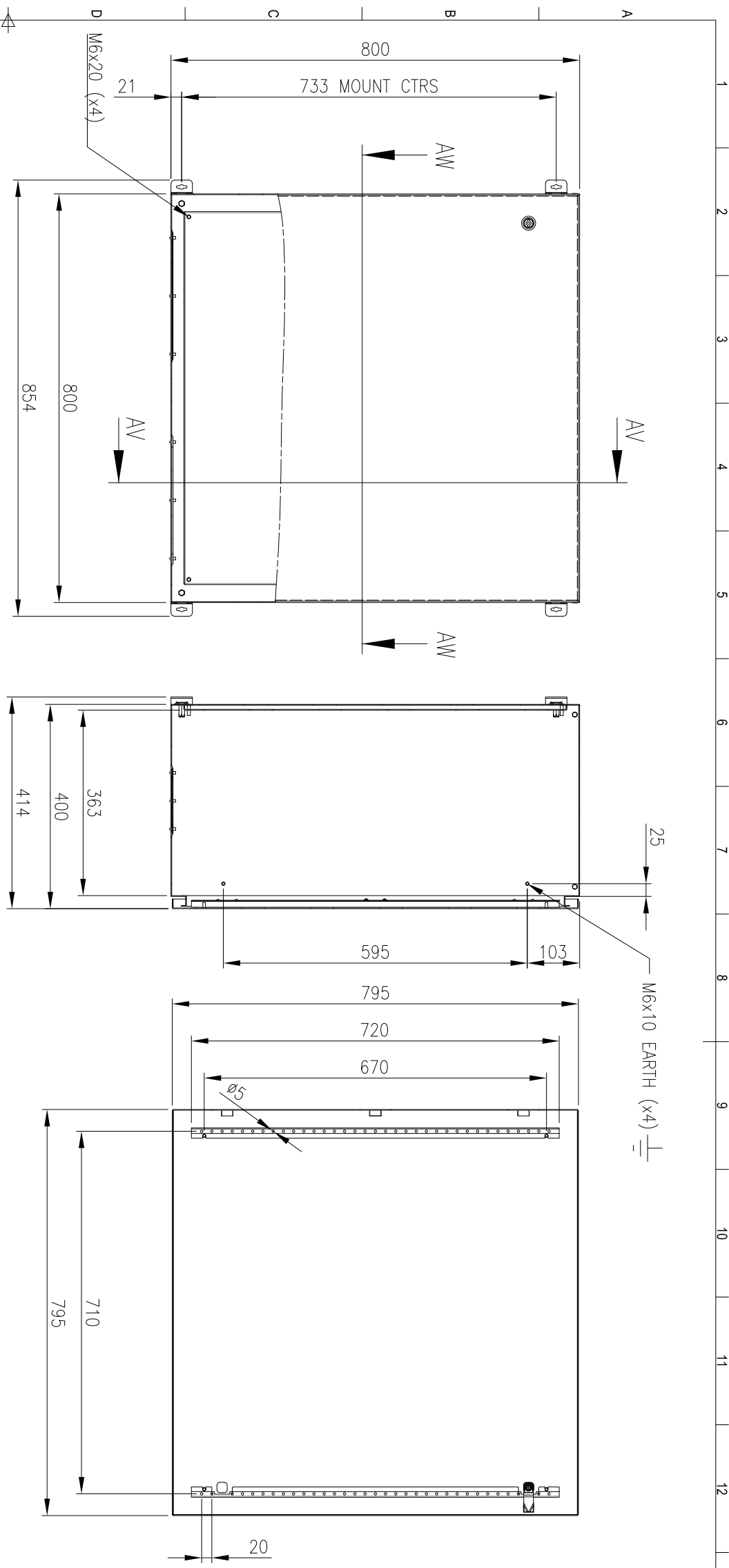
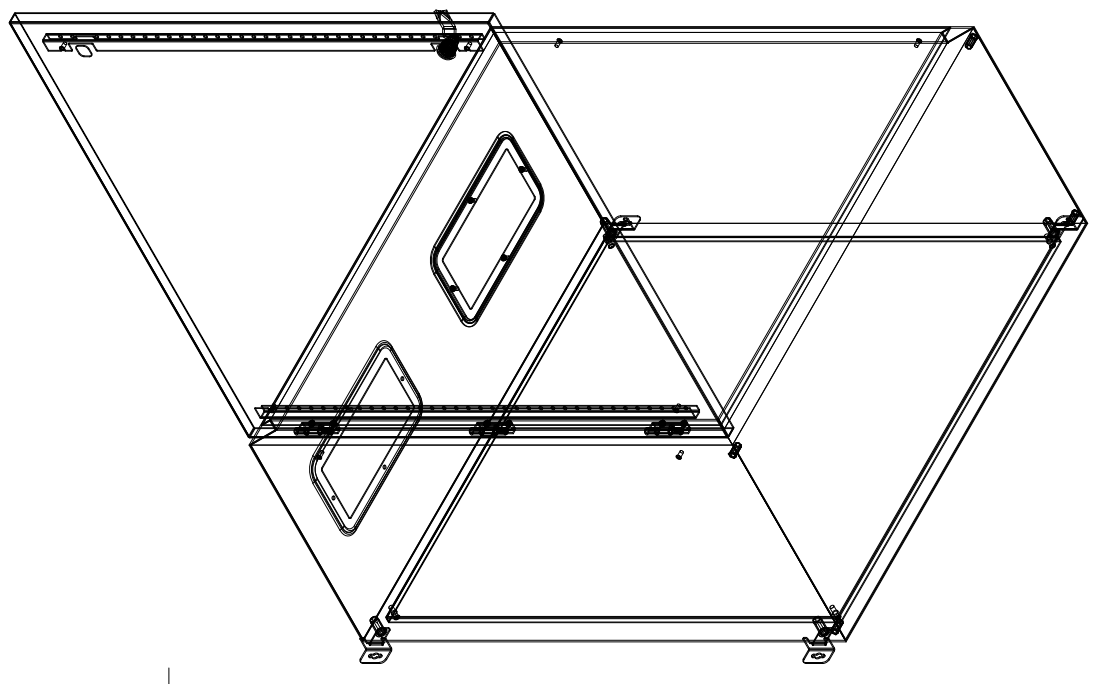


RevNo	Revision note	Date	Signature	Checked
2	GENERAL REVISION	9/7/19	IP	IP

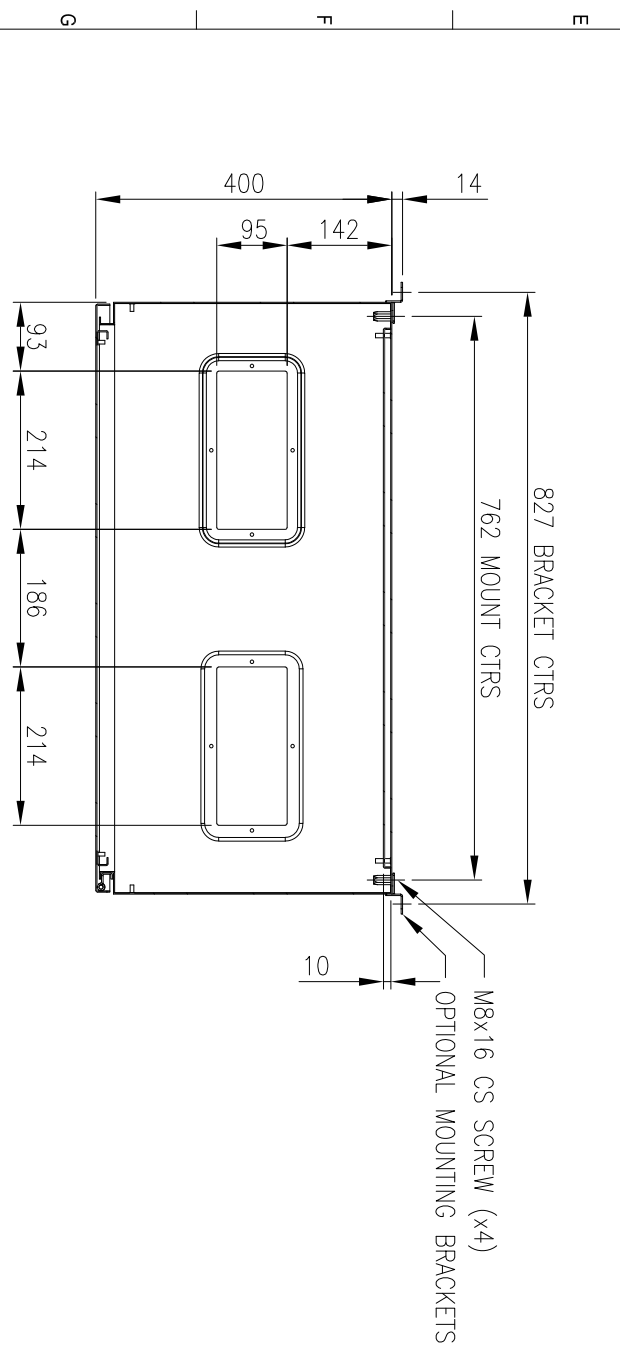


FRONT VIEW

SECTION AV-AV

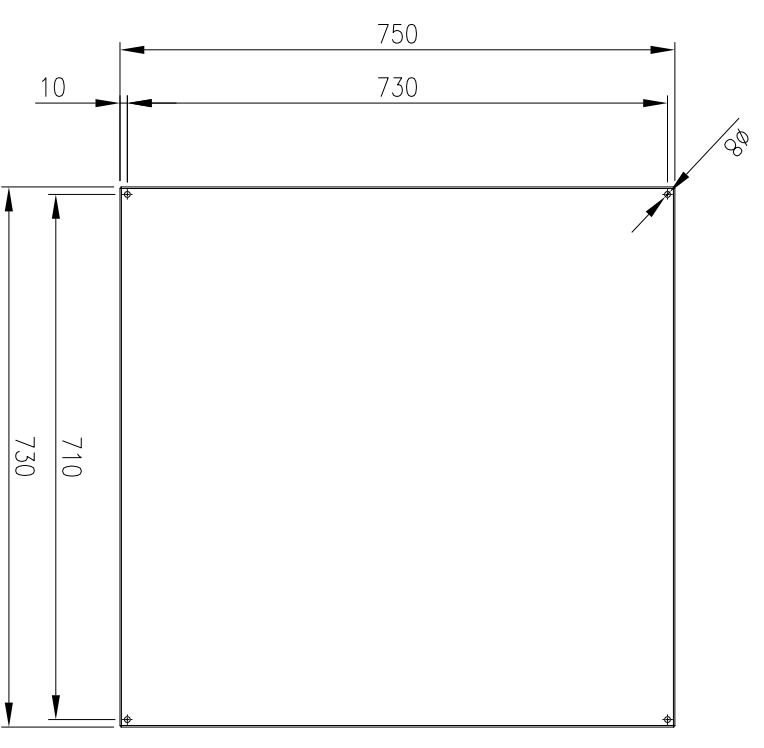


INSIDE DOOR VIEW



SECTION AW-AW

DEVICE MOUNTING PLATE



MATERIAL
 BODY: 1.5mm GALVANISED STEEL SHEET
 DOOR: 1.5mm GALVANISED STEEL SHEET
 DEVICE PLATE: 1.5mm GALVANISED STEEL SHEET
 SEAL: POLYURETHANE
 SURFACE TREATMENT: POWDER-COAT 80-120micron

MASS: 38.5kg

PROTECTION: IP66 IK10, NEMA4
 STANDARD: IEC62208, IEC/EN/AS60529

© IP ENCLOSURES 2016.
 THIS DRAWING SHALL NOT BE COPIED OR REPRODUCED
 WITHOUT AUTHORISATION FROM IP ENCLOSURES.
 www.ipenclosures.com.au

Item#	Quantity	TradeName, designation, material, dimension etc.	Article No./Reference	Scale	
IP		Checked by	Approved by - date	17/10/16	1:10
IP		Checked by	Approved by - date	17/10/16	1:10
		Filename	Date	17/10/16	1:10
		IP-808040-01			
		800x800x400 STEEL ENCLOSURE			
		IP-808040-01			
		Edition	Sheet	2	1/1

