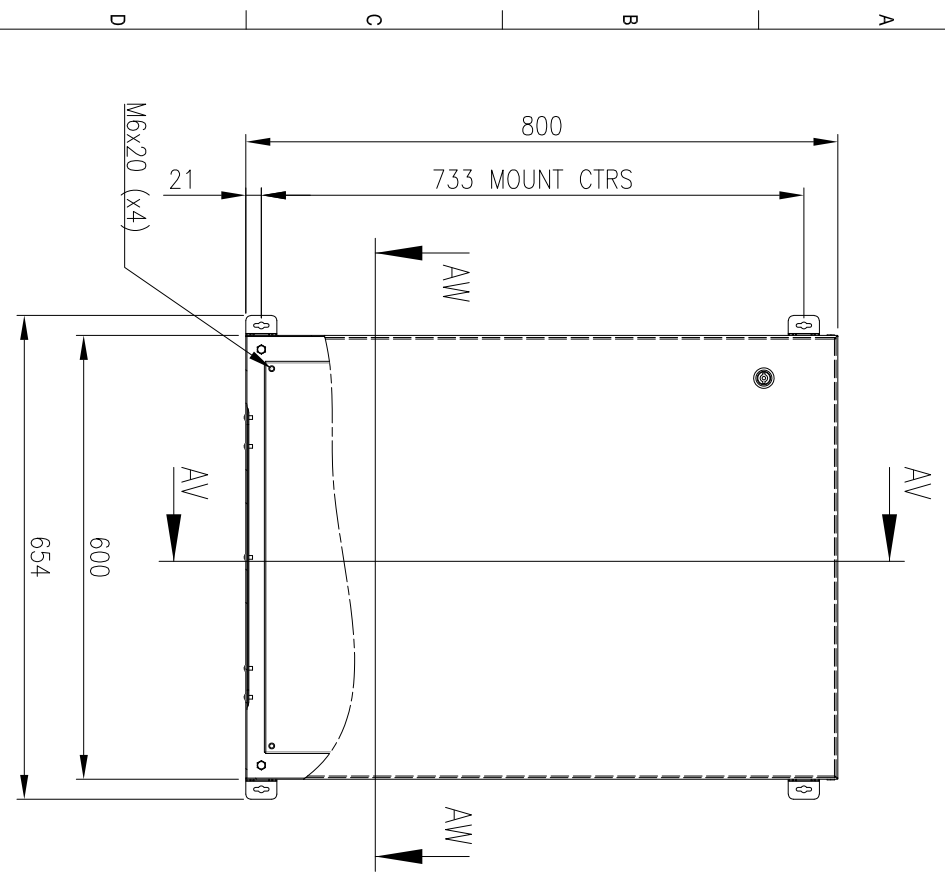
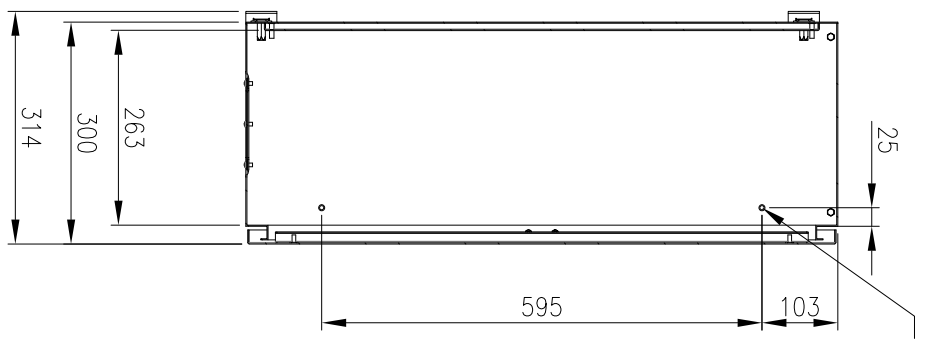


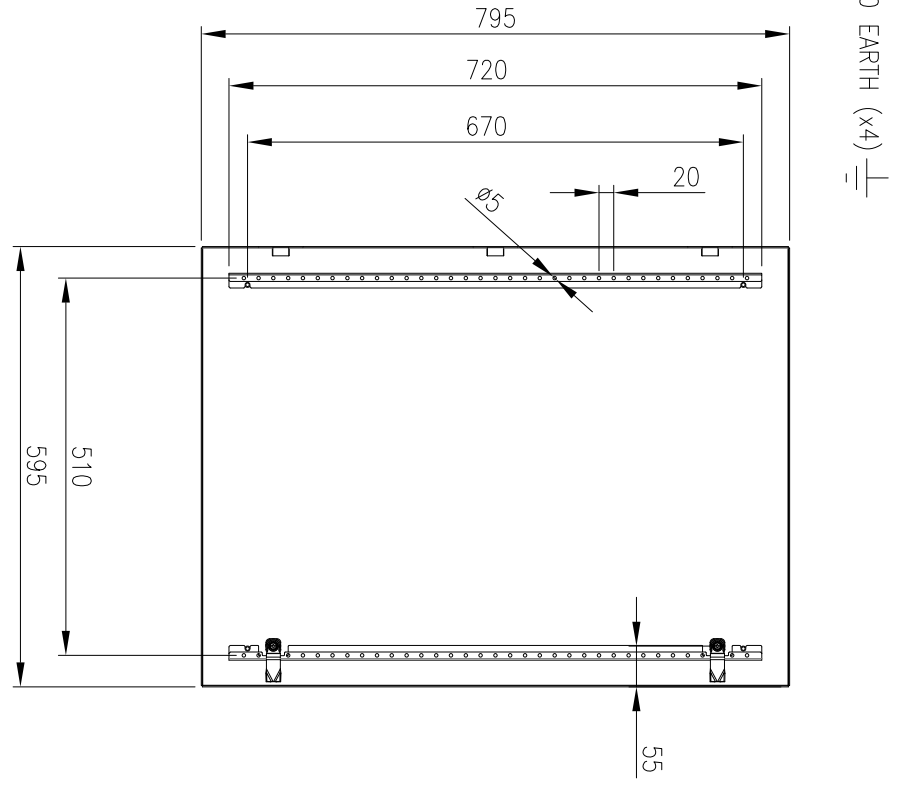
RevNo	Revision note	Date	Signature	Checked
2	GENERAL REVISION	9/7/19	IP	IP



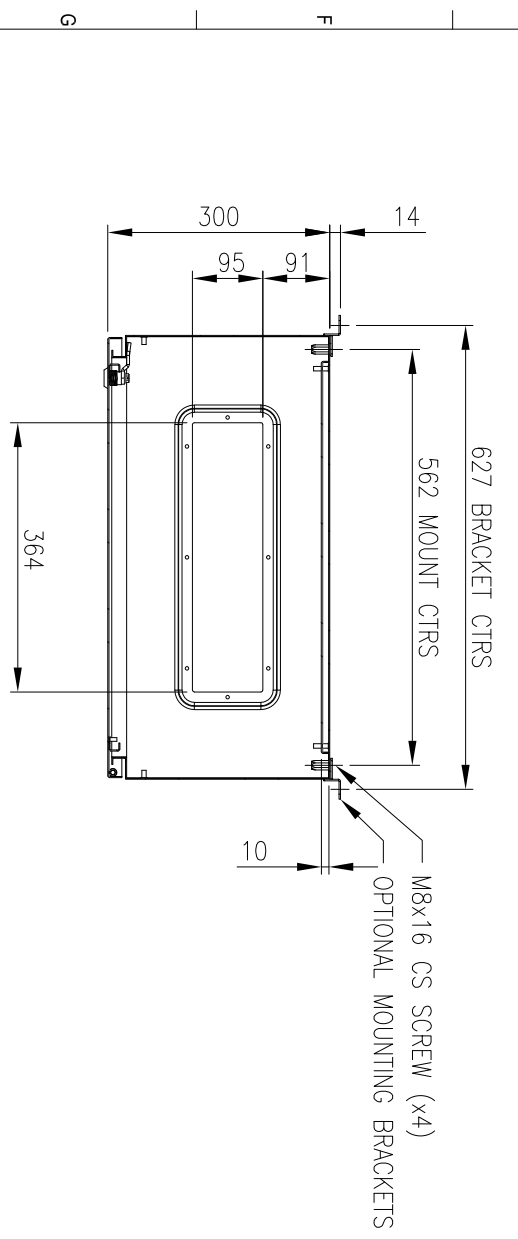
FRONT VIEW



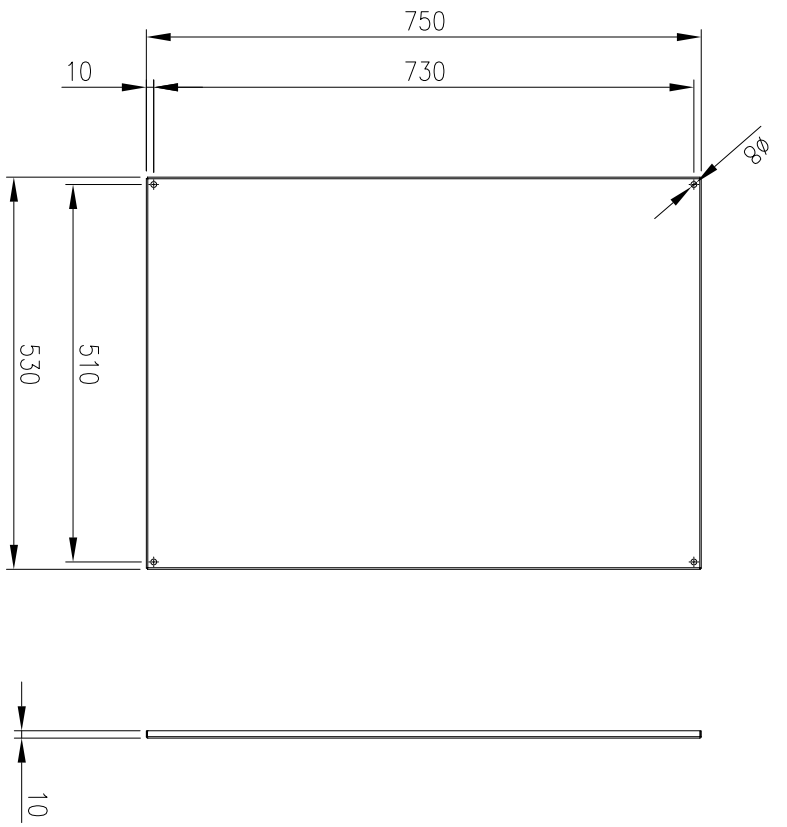
SECTION AV-AV



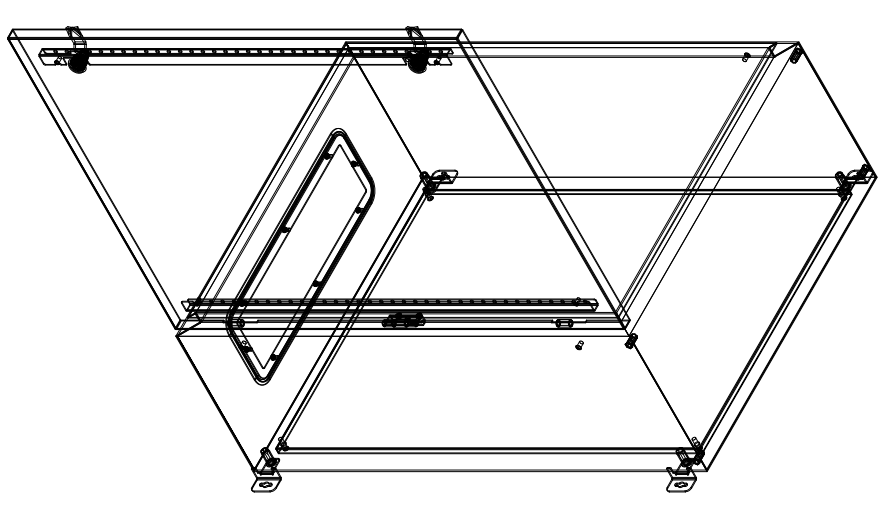
INSIDE DOOR VIEW



SECTION AW-AW



DEVICE MOUNTING PLATE



**MATERIAL**  
 BODY: 1.5mm GALVANISED STEEL SHEET  
 DOOR: 1.5mm GALVANISED STEEL SHEET  
 DEVICE PLATE: 1.5mm GALVANISED STEEL SHEET  
 SEAL: POLYURETHANE  
 SURFACE TREATMENT: POWDER-COAT 80-120micron

MASS: 27.5kg

PROTECTION: IP66 IK10, NEMA4  
 STANDARD: IEC62208, IEC/EN/AS60529

Item	Quantity	TradeName, designation, material, dimension etc.	Article No./Reference	Scale
IP Enclosures				1:10
800x600x300 STEEL ENCLOSURE				1:1

© IP ENCLOSURES 2016.  
 THIS DRAWING SHALL NOT BE COPIED OR REPRODUCED  
 WITHOUT AUTHORISATION FROM IP ENCLOSURES.  
 www.ipenclosures.com.au