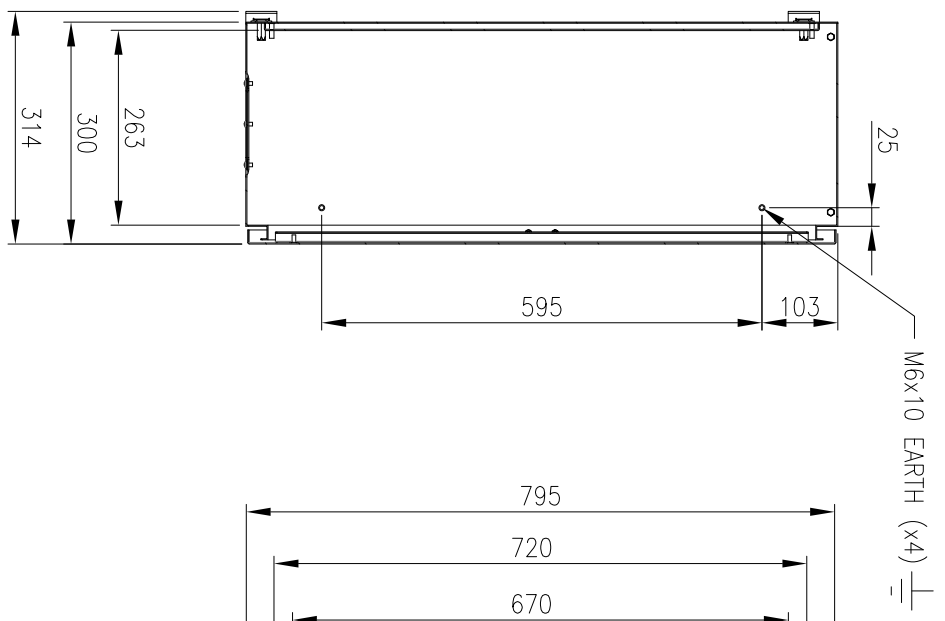
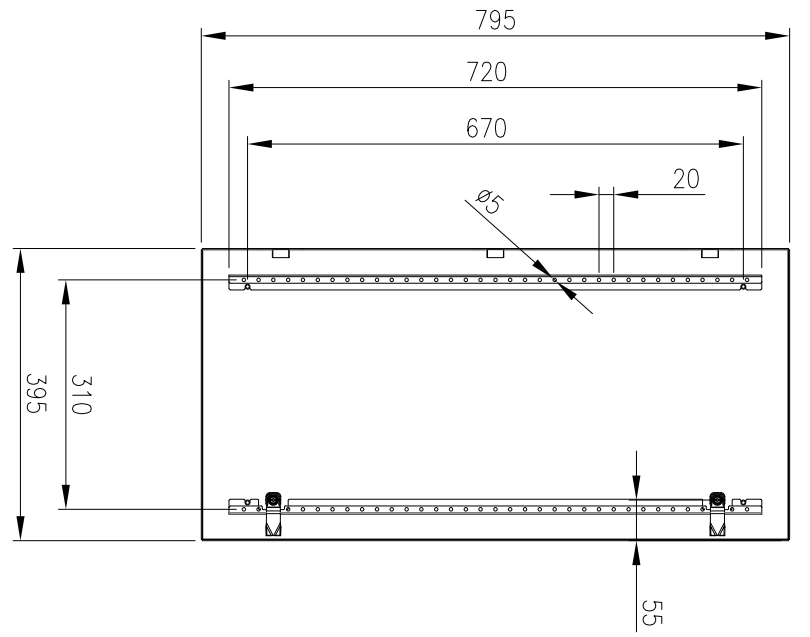


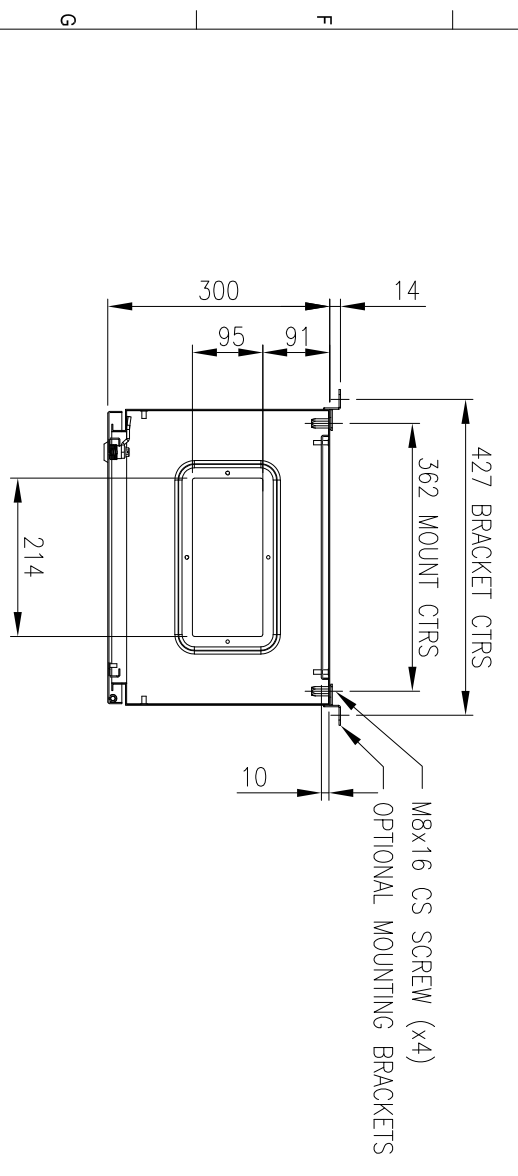
FRONT VIEW



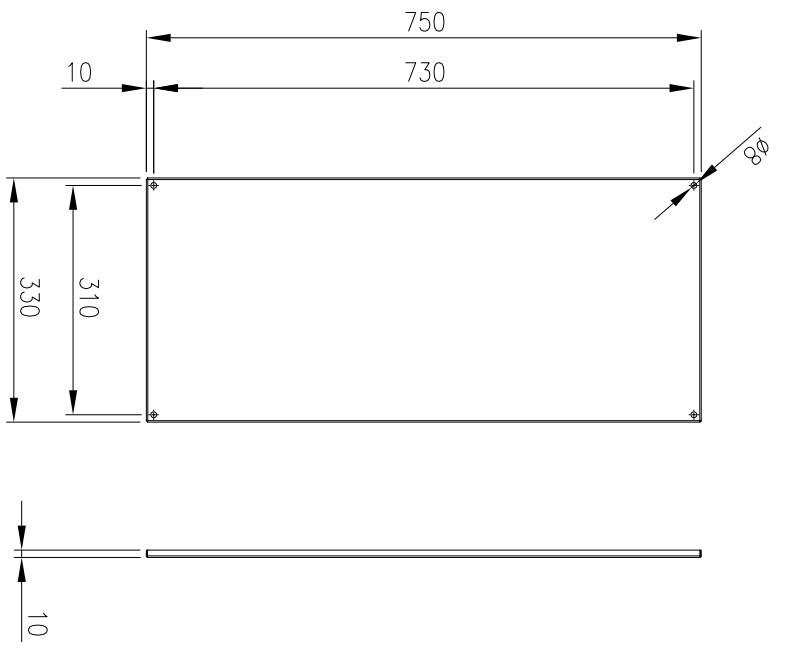
SECTION AV-AV



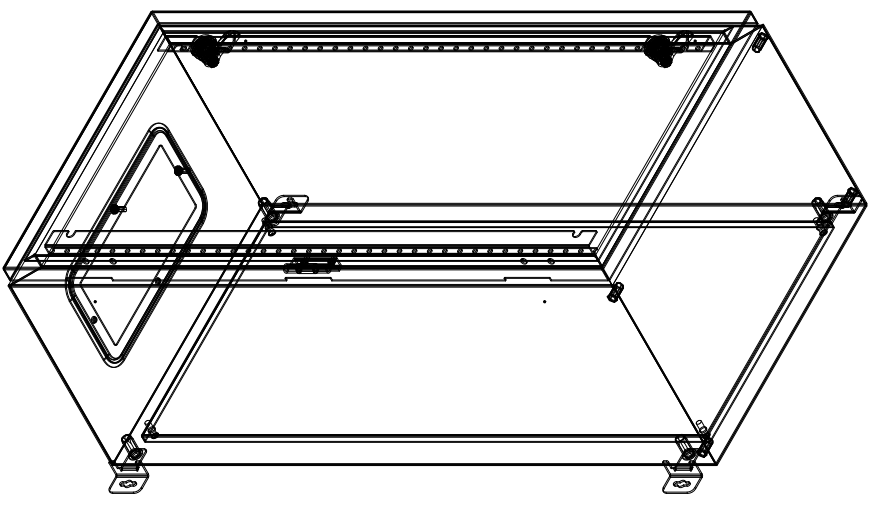
INSIDE DOOR VIEW



SECTION AW-AW



DEVICE MOUNTING PLATE



MATERIAL
 BODY: 1.5mm GALVANISED STEEL SHEET
 DOOR: 1.5mm GALVANISED STEEL SHEET
 DEVICE PLATE: 1.5mm GALVANISED STEEL SHEET
 SEAL: POLYURETHANE
 SURFACE TREATMENT: POWDER-COAT 80-120micron
 MASS: 25kg

PROTECTION: IP66 IK10, NEMA4
STANDARD: IEC62208, IEC/EN/AS60529

Item	Quantity	TradeName, designation, material, dimension etc.	Article No./Reference
IP Enclosures			
Designed by	Checked by	Approved by - date	Filename
IP	IP	08/07/19	IP-80400-01
800x400x300 STEEL ENCLOSURE			Date 08/07/19
IP-804030-01			Scale 1:10
			Sheet 1/1

© IP ENCLOSURES 2016.
 THIS DRAWING SHALL NOT BE COPIED OR REPRODUCED
 WITHOUT AUTHORISATION FROM IP ENCLOSURES.
 www.ipenclosures.com.au