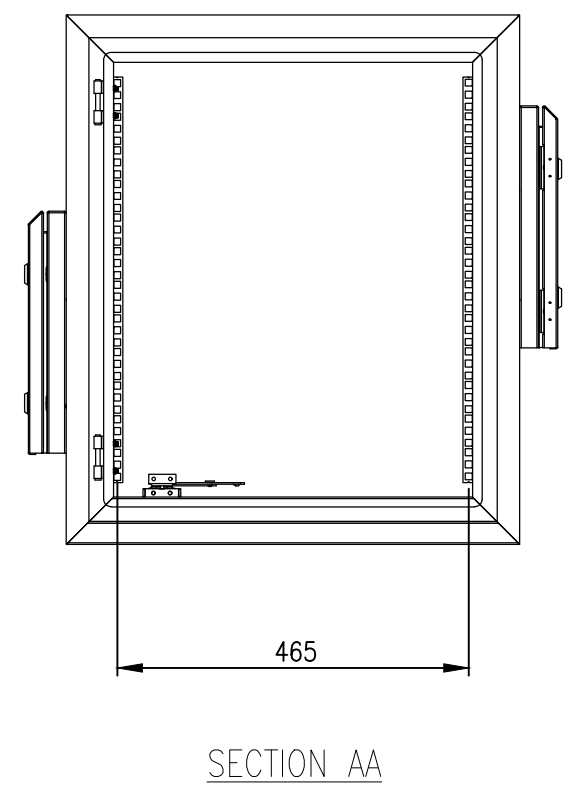
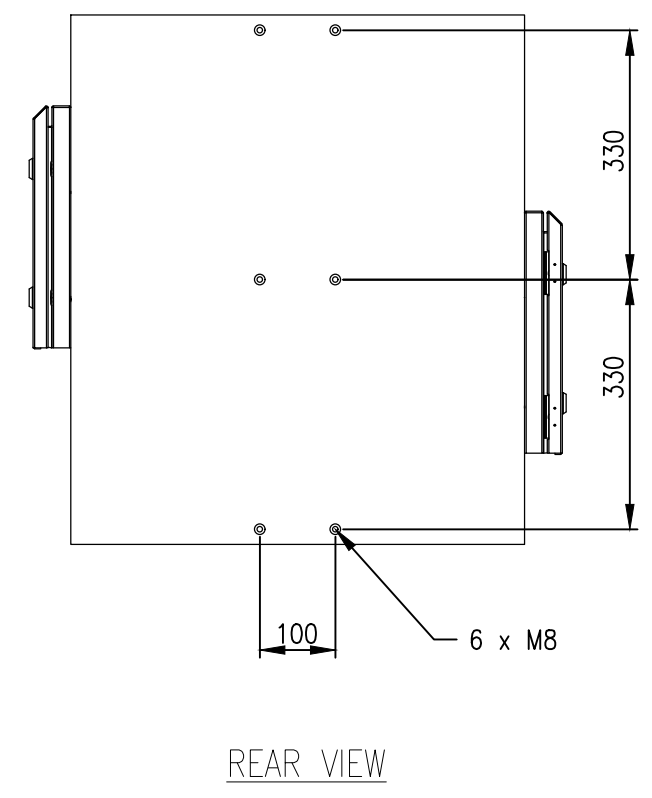
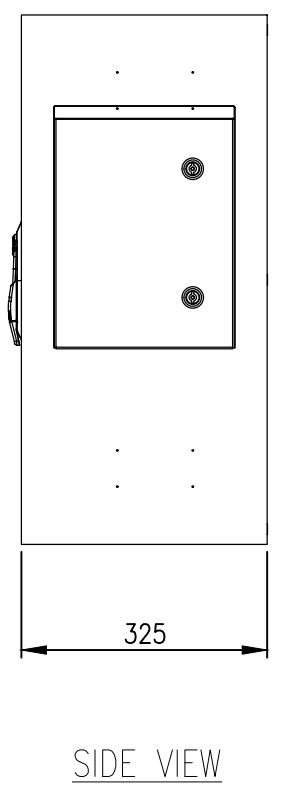
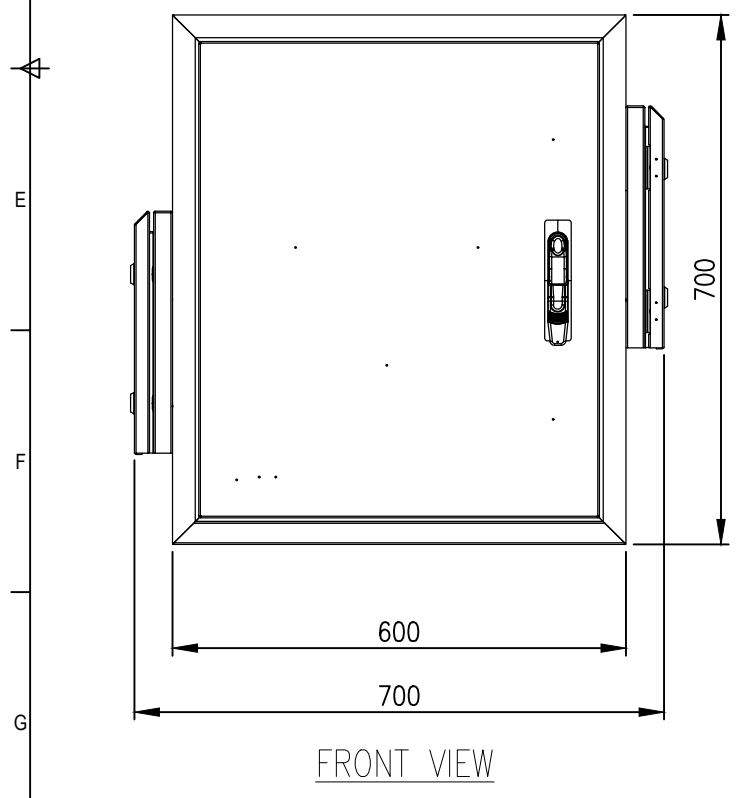
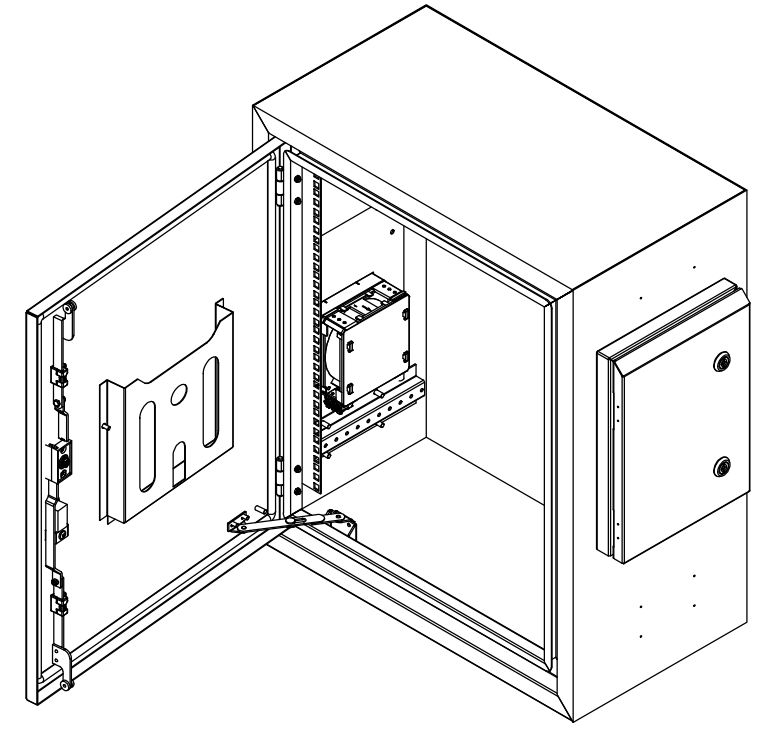
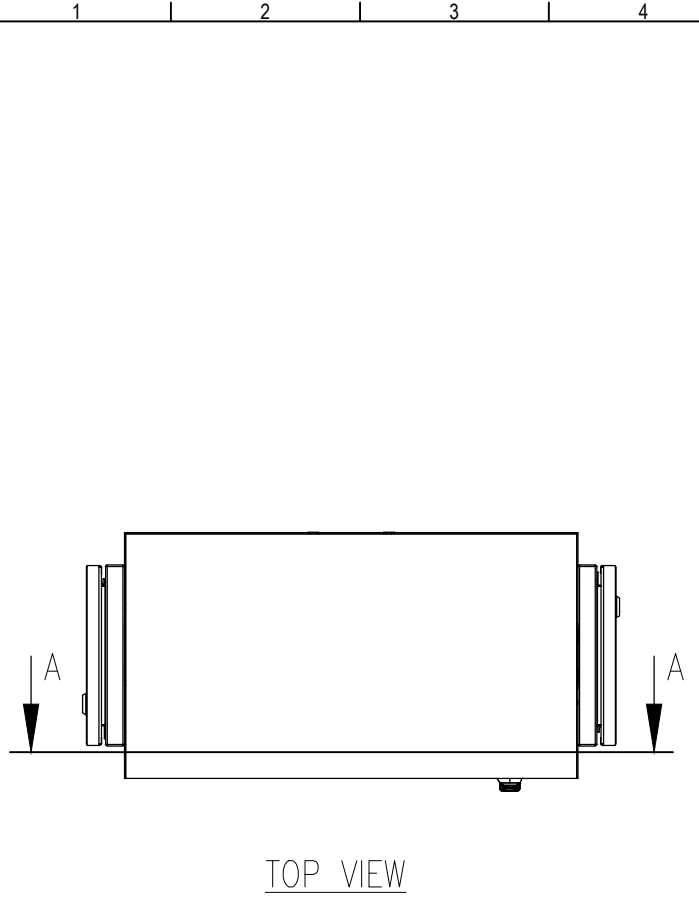


RevNo	Revision note	Date	Signature	Checked
1	GENERAL REVISION	03/04/23	IP	IP



**MATERIAL**  
 BODY: 1.5mm GALVANISED STEEL SHEET  
 DOOR: 2.0mm GALVANISED STEEL SHEET  
 19" DATA RACK RAILS: 1.5mm GALVANISED STEEL  
 SEAL: POLYURETHANE  
 SURFACE TREATMENT: POWDER-COAT 80-120micron

**PROTECTION:** IP55 (VENTILATED)  
**STANDARD:** IEC62208, IEC/EN/AS60529

© IP ENCLOSURES 2016.  
 THIS DRAWING SHALL NOT BE COPIED OR REPRODUCED  
 WITHOUT AUTHORISATION FROM IP ENCLOSURES.  
 www.ipenclosures.com.au

Itemref	Quantity	Title/Name, designation, material, dimension etc		Article No./Reference	
Designed by	Checked by	Approved by - date	Filename	Date	Scale
IP	IP	08/07/21	IP-706032	08/07/21	1:10
IP Enclosures			700x600x325 FIELD CABINET (VENTILATED)		
			IP-706032	Edition 1	Sheet 1/1