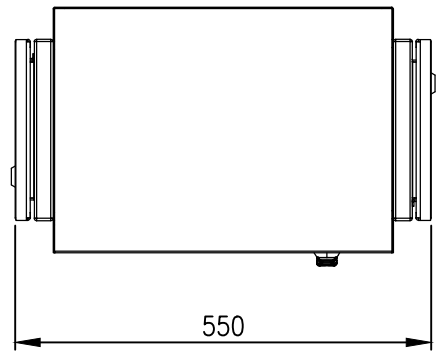
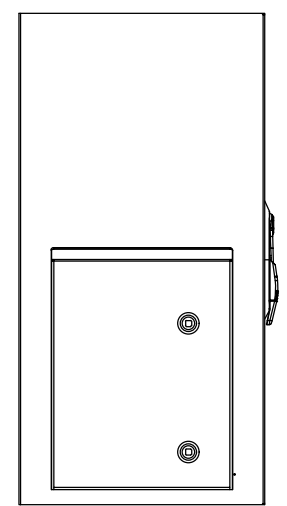
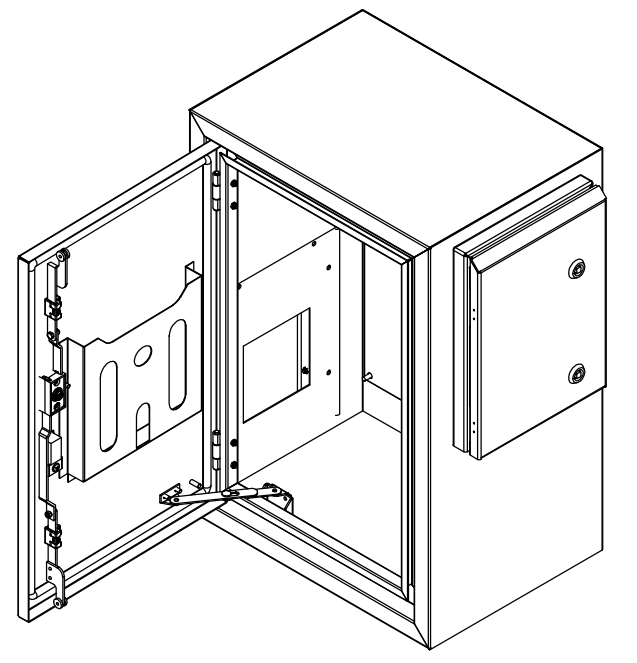


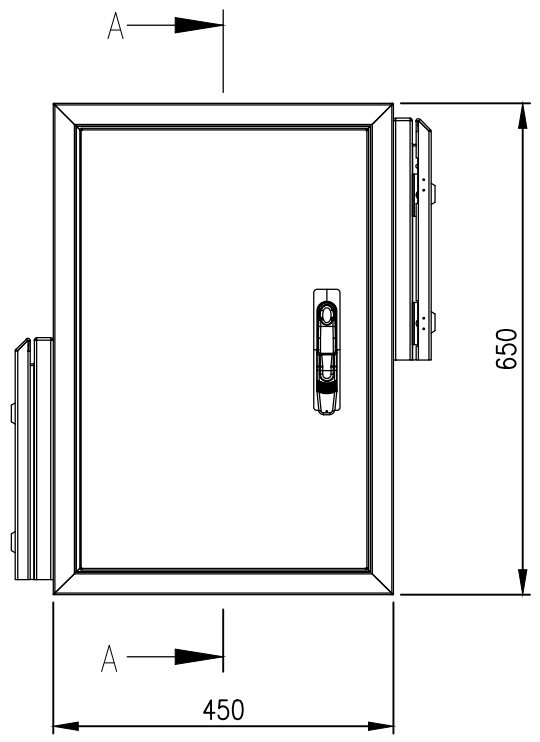
RevNo	Revision note	Date	Signature	Checked
1	GENERAL REVISION	03/04/23	IP	IP



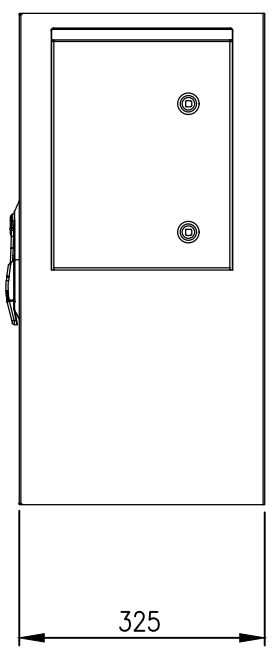
TOP VIEW



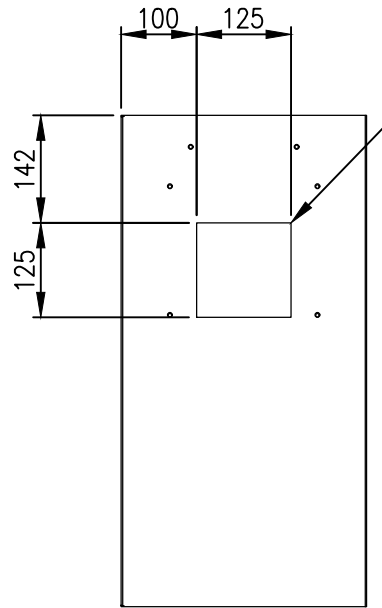
SIDE VIEW



FRONT VIEW

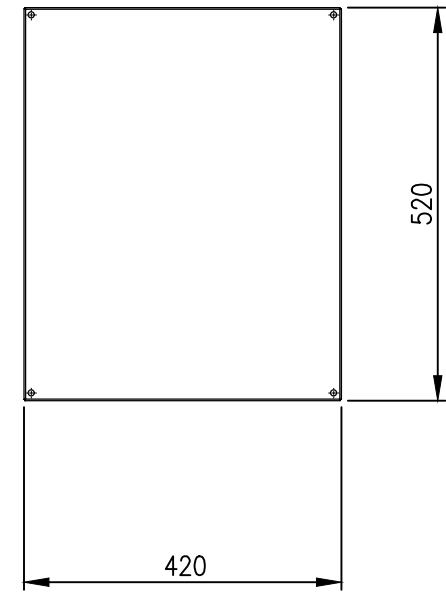


SIDE VIEW

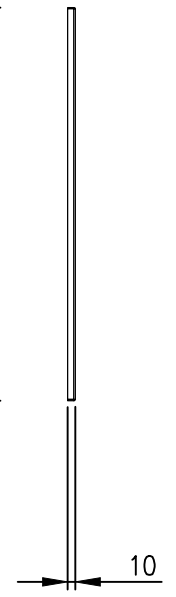


SECTION AA

FAN FILTER CUTOUT



DEVICE MOUNTING PLATE



MATERIAL
 BODY: 1.5mm GALVANISED STEEL SHEET
 DOOR: 2.0mm GALVANISED STEEL SHEET
 SEAL: POLYURETHANE
 SURFACE TREATMENT: POWDER-COAT 80-120micron

PROTECTION: IP55 (VENTILATED)
STANDARD: IEC62208, IEC/EN/AS60529

© IP ENCLOSURES 2016.
 THIS DRAWING SHALL NOT BE COPIED OR REPRODUCED
 WITHOUT AUTHORISATION FROM IP ENCLOSURES.
 www.ipenclosures.com.au

Itemref	Quantity	Title/Name, designation, material, dimension etc	Article No./Reference
IP	1	650x450x325 FIELD CABINET (VENTILATED)	IP-654532
IP	1	650x450x325 FIELD CABINET (VENTILATED)	IP-654532
IP	1	650x450x325 FIELD CABINET (VENTILATED)	IP-654532



650x450x325 FIELD CABINET (VENTILATED)
 IP-654532
 Edition 1
 Sheet 1/1