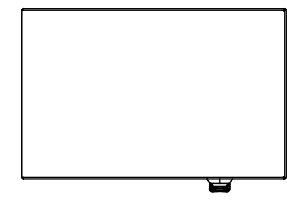
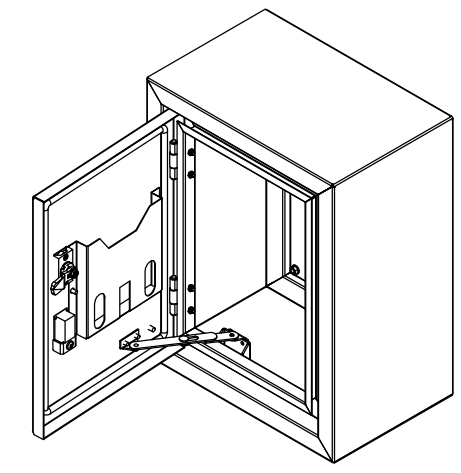
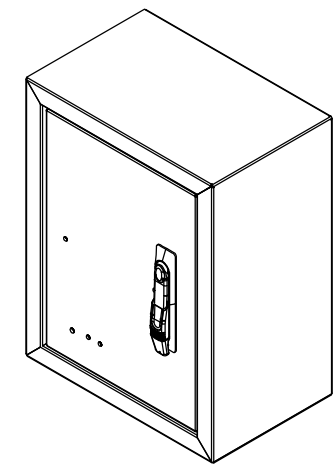
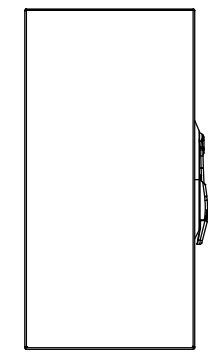


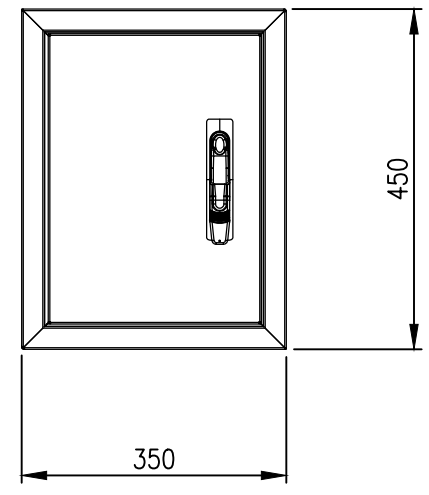
RevNo	Revision note	Date	Signature	Checked
1	GENERAL REVISION	31/03/23	IP	IP



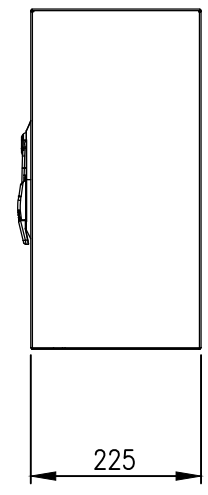
TOP VIEW



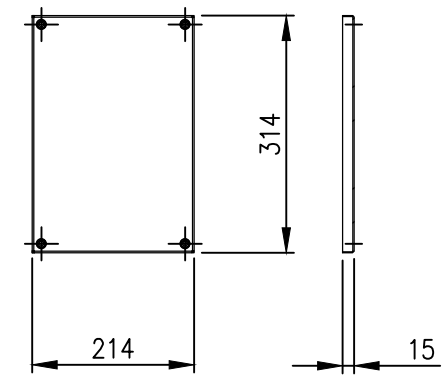
SIDE VIEW



FRONT VIEW



SIDE VIEW



DEVICE MOUNTING PLATE

MATERIAL
 BODY: 1.5mm GALVANISED STEEL SHEET
 DOOR: 2.0mm GALVANISED STEEL SHEET
 SEAL: POLYURETHANE
 SURFACE TREATMENT: POWDER-COAT 80-120micron

PROTECTION: IP66
STANDARD: IEC62208, IEC/EN/AS60529

© IP ENCLOSURES 2016.
 THIS DRAWING SHALL NOT BE COPIED OR REPRODUCED
 WITHOUT AUTHORISATION FROM IP ENCLOSURES.
 www.ipenclosures.com.au

Itemref	Quantity	Title/Name, designation, material, dimension etc	Article No./Reference
Designed by IP	Checked by IP	Approved by - date 13/10/20	Filename IP-453522-0
450x350x225 FIELD CABINET (NO VENTS)			Date 13/10/20
IP-453522-0			Scale 1:10
Edition 1			Sheet 1/1