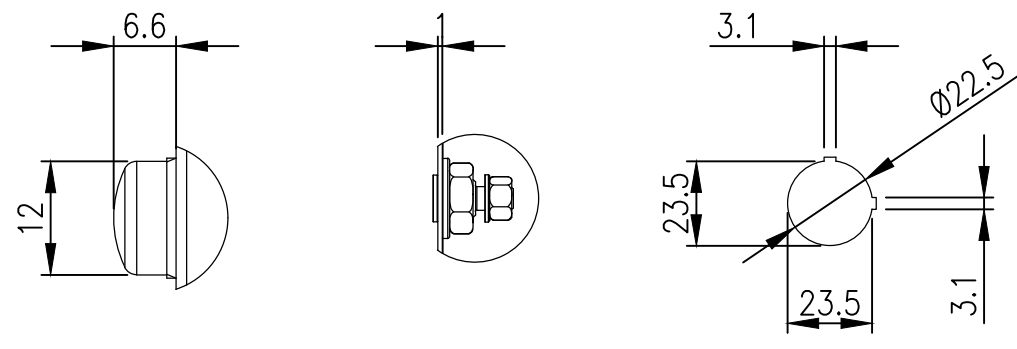
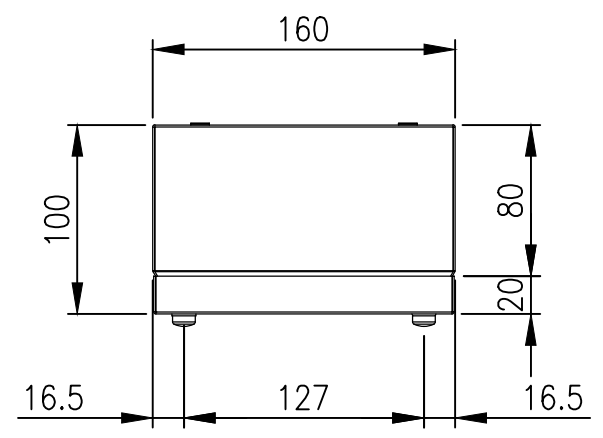


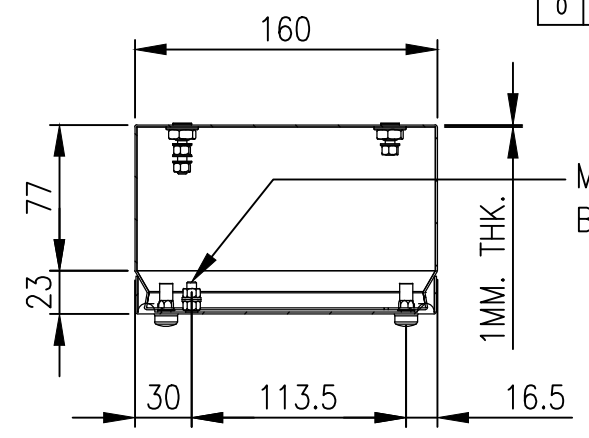
RevNo	Revision note	Date	Signature	Checked
0	GENERAL REVISION		IP	IP



DETAIL A1 DETAIL A2 DETAIL A3

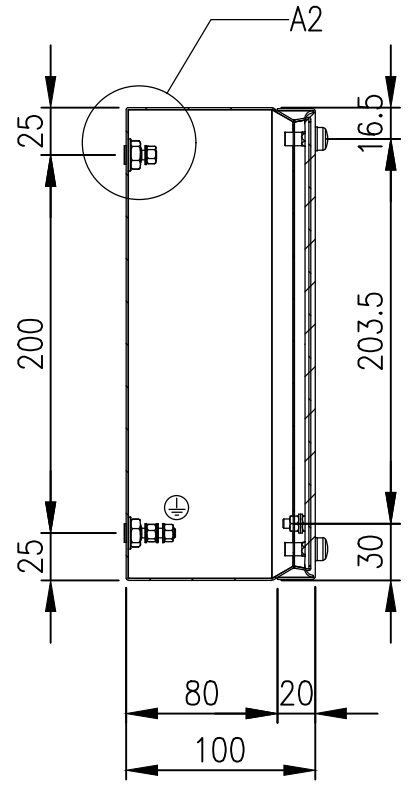


TOP VIEW

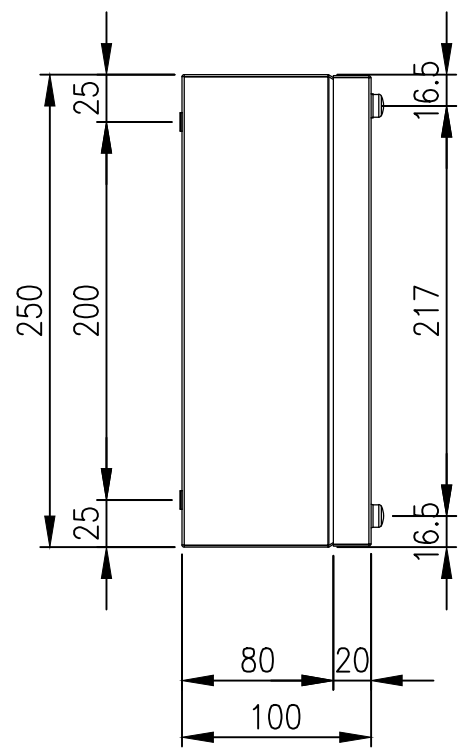


SECTION A-A

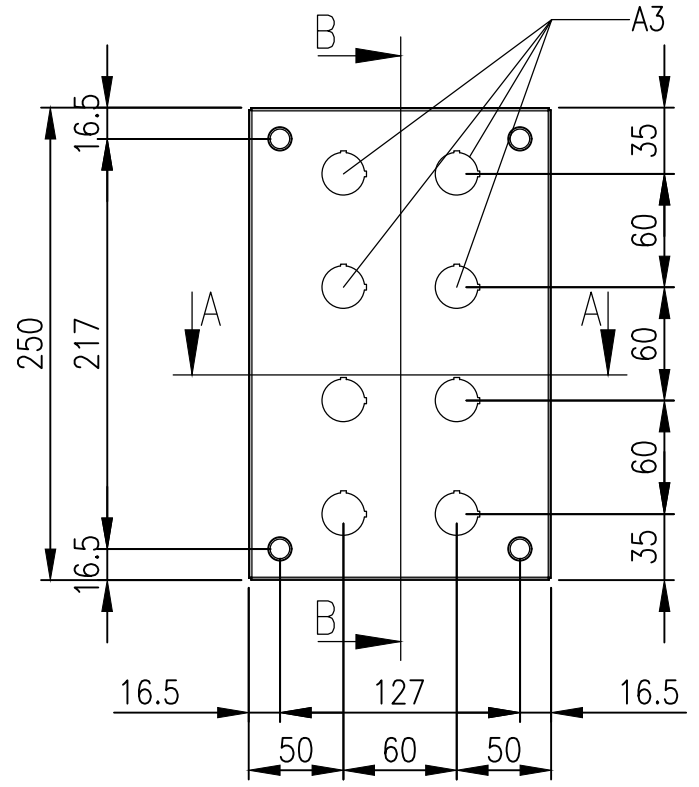
M5x15 THREADED BOLT (x1)
1MM. THK.



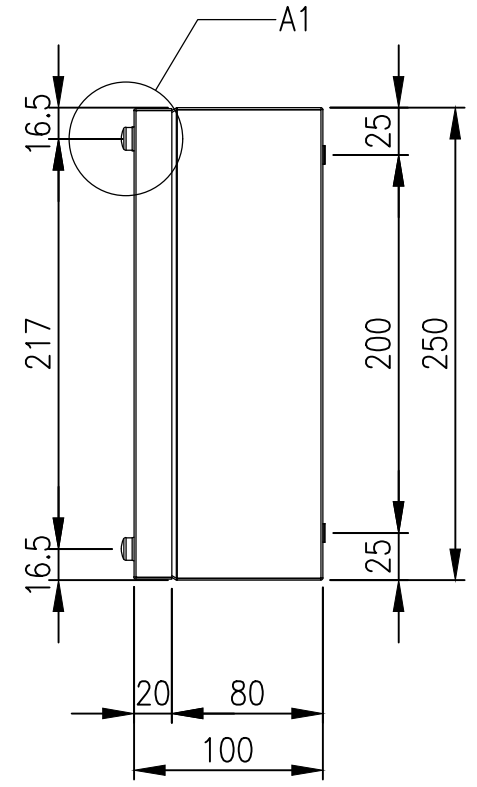
SECTION B-B



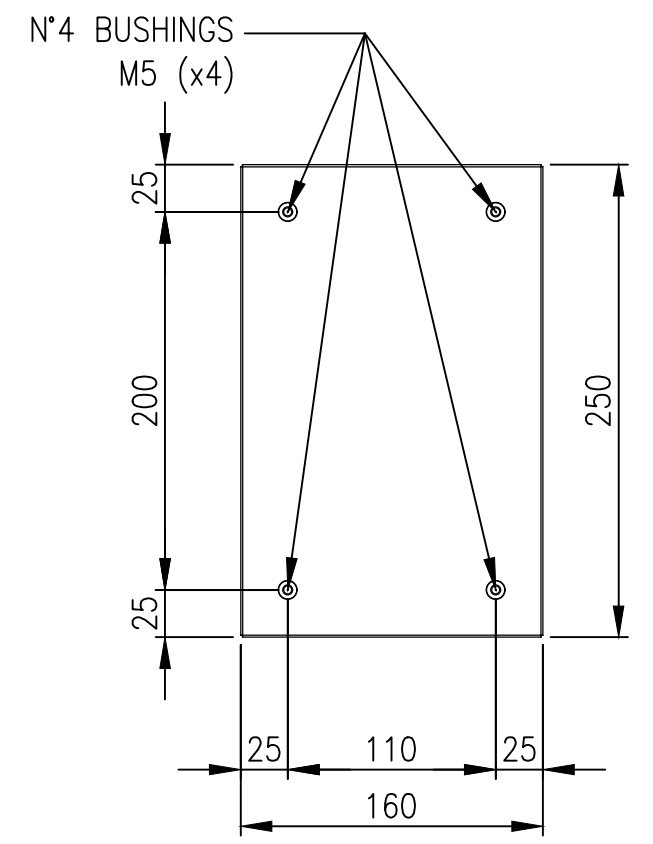
LEFT SIDE VIEW



FRONT VIEW



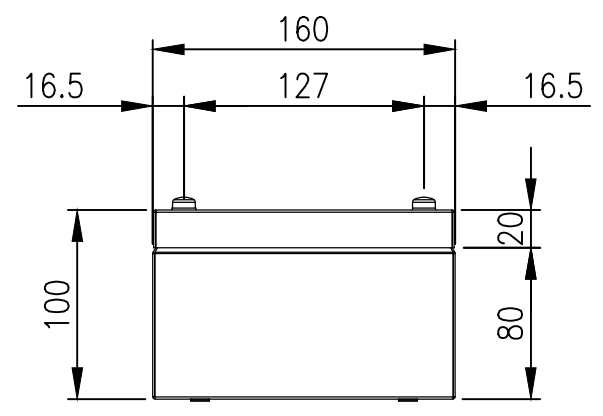
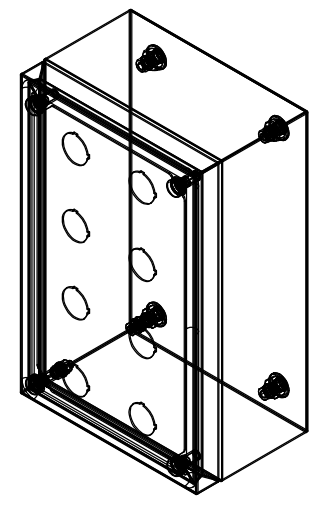
RIGHT SIDE VIEW



REAR VIEW

MATERIAL
 BODY: 1.0mm 304 STAINLESS STEEL
 DOOR: 1.0mm 304 STAINLESS STEEL
 SEAL: SILICONE

PROTECTION: IP66, IP67, NEMA4x,
UL 508A



BOTTOM VIEW

© IP ENCLOSURES 2022.
 THIS DRAWING SHALL NOT BE COPIED OR REPRODUCED
 WITHOUT AUTHORISATION FROM IP ENCLOSURES.
 www.ipenclosures.com.au

Itemref	Quantity	Title/Name, designation, material, dimension etc	Article No./Reference
Designed by IP	Checked by IP	Approved by - date 27/07/22	Filename IP-304-P4X2
Date 27/07/22		Scale 1:4	Article No./Reference 250x160x100 304SS PUSHBUTTON BOX
Edition 0		Sheet 1/1	