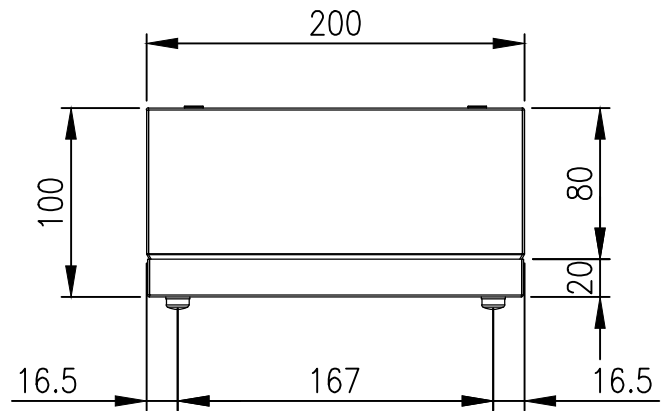
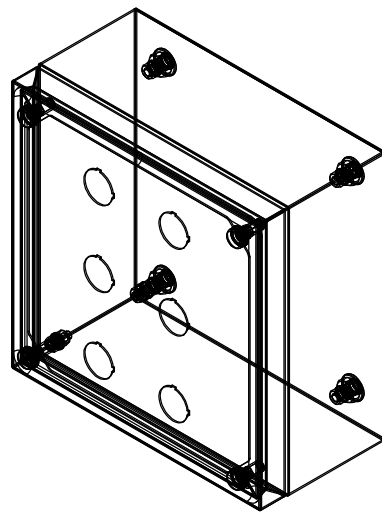
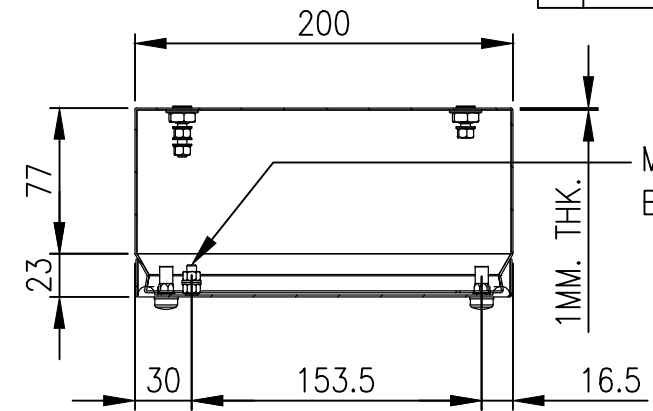


RevNo	Revision note	Date	Signature	Checked
0	GENERAL REVISION		IP	IP

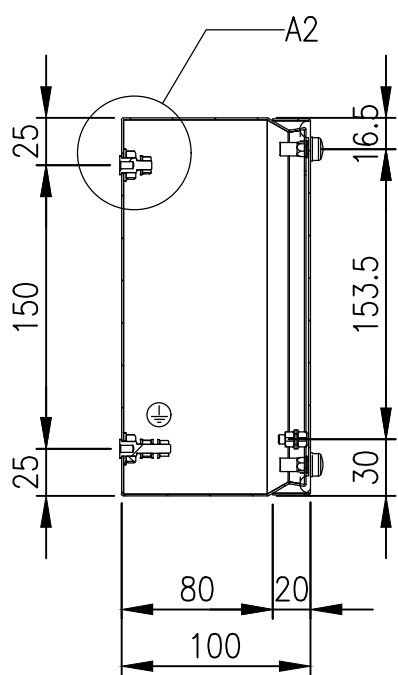


TOP VIEW

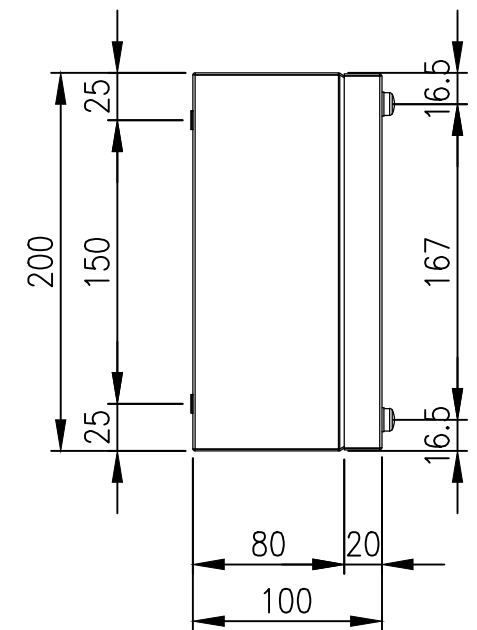


SECTION A-A

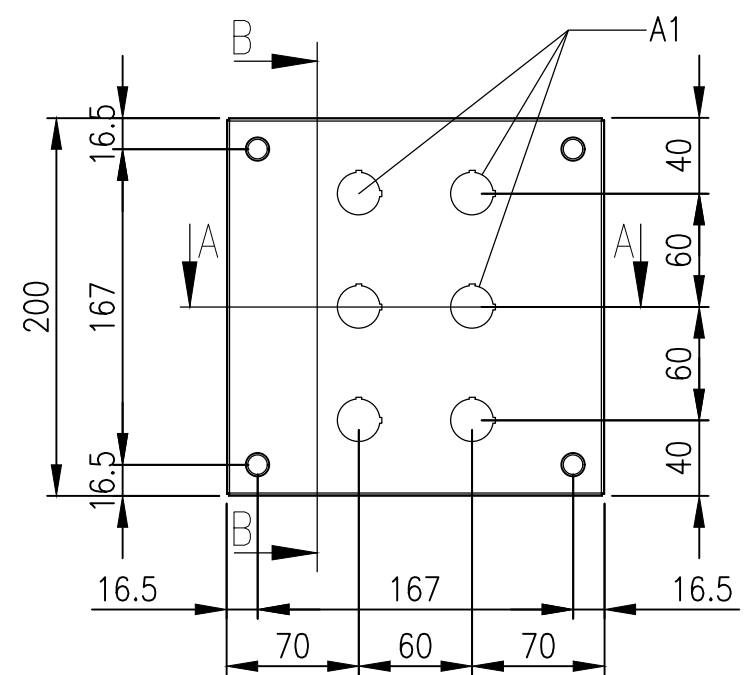
M5x15 THREADED BOLT (x1)  
1MM. THK.



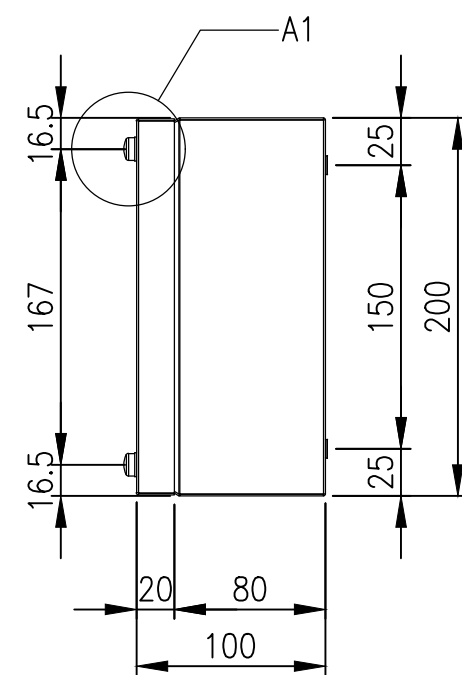
SECTION B-B



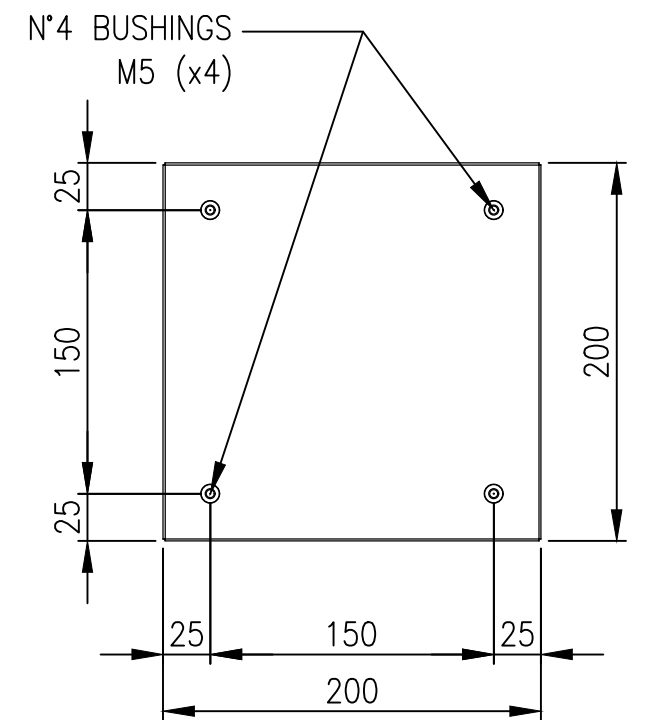
LEFT SIDE VIEW



FRONT VIEW

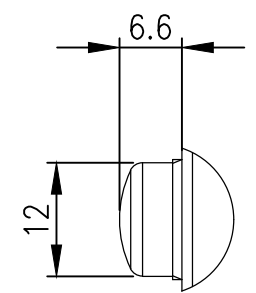


RIGHT SIDE VIEW

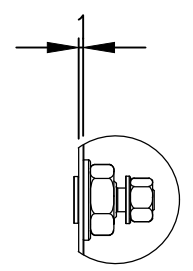


REAR VIEW

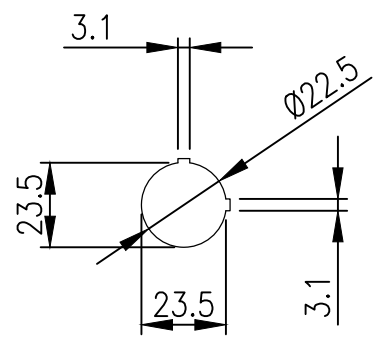
N°4 BUSHINGS M5 (x4)



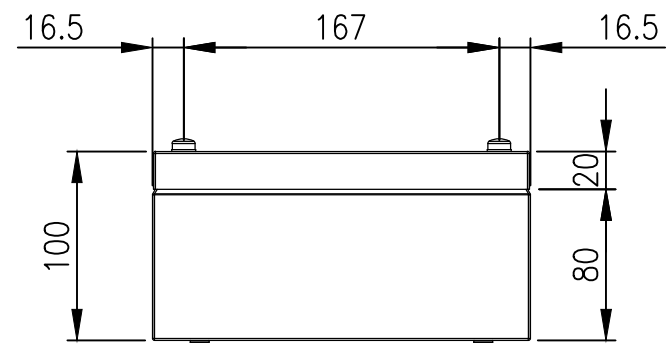
DETAIL A1



DETAIL A2



DETAIL A3



BOTTOM VIEW

**MATERIAL**  
BODY: 1.0mm 304 STAINLESS STEEL  
DOOR: 1.0mm 304 STAINLESS STEEL  
SEAL: SILICONE

**PROTECTION:** IP66, IP67, NEMA4x,  
UL 508A

© IP ENCLOSURES 2022.  
THIS DRAWING SHALL NOT BE COPIED OR REPRODUCED  
WITHOUT AUTHORISATION FROM IP ENCLOSURES.  
www.ipenclosures.com.au

Itemref	Quantity	Title/Name, designation, material, dimension etc	Article No./Reference
IP	1	200x200x100 304SS PUSHBUTTON BOX	IP-304-P3X2
Designed by	Checked by	Approved by - date	Filename
IP	IP	27/07/22	IP-304-P3X2
Date	Scale	Edition	
27/07/22	1:4	0	
Sheet			1/1