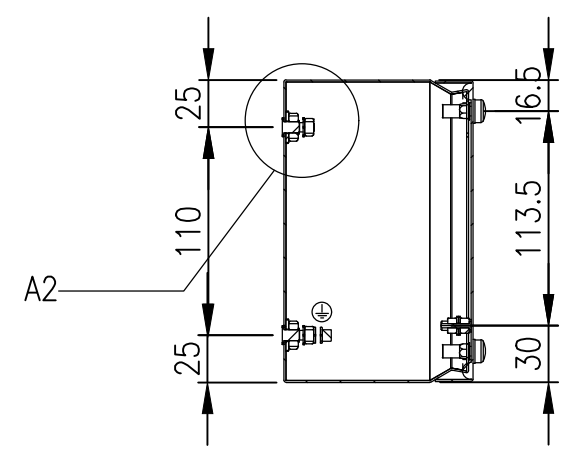
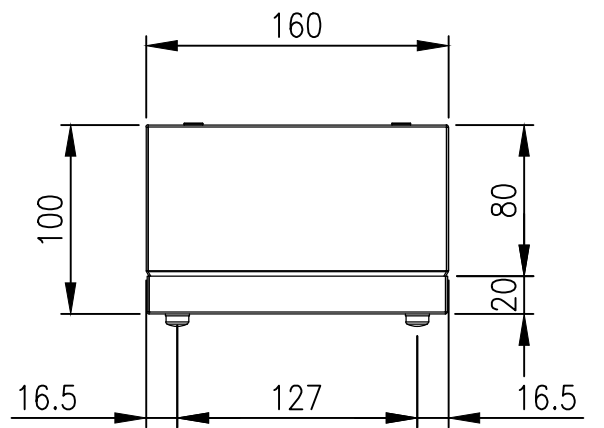


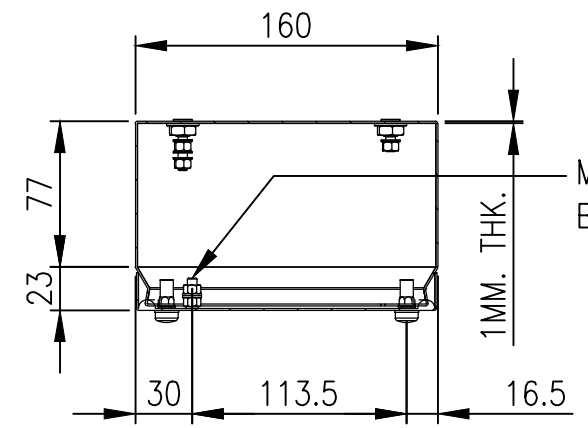
RevNo	Revision note	Date	Signature	Checked
0	GENERAL REVISION		IP	IP



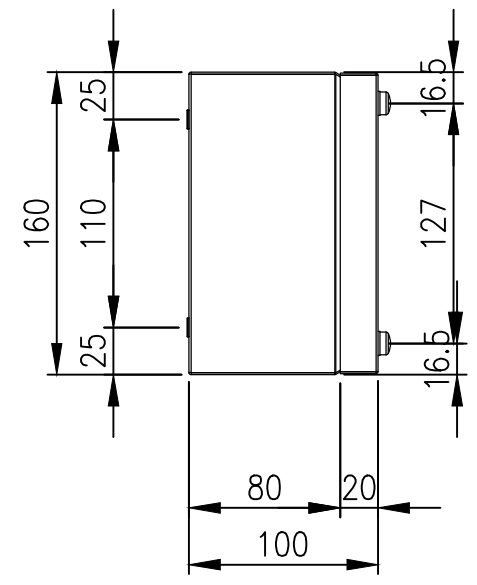
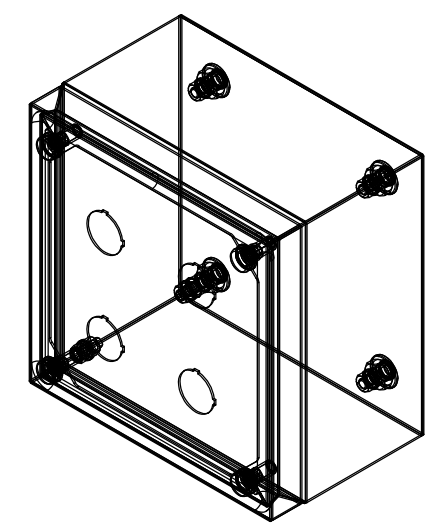
SECTION B-B



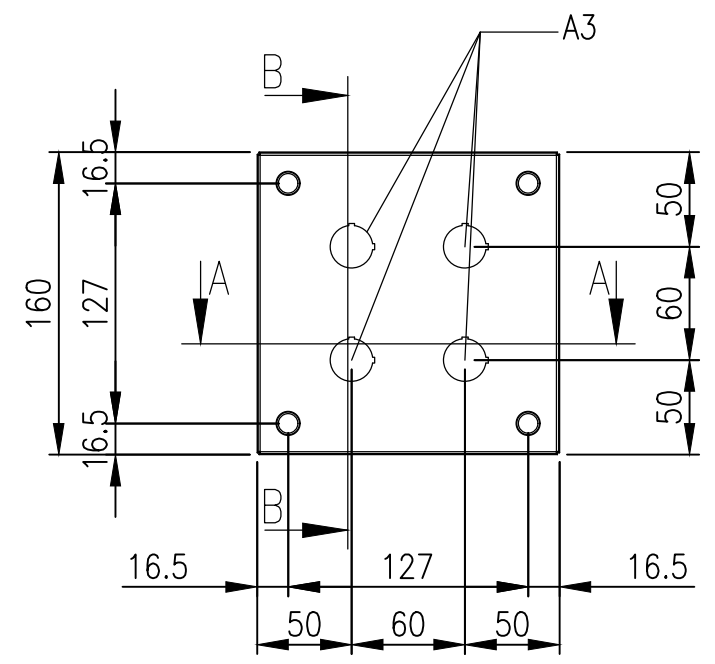
TOP VIEW



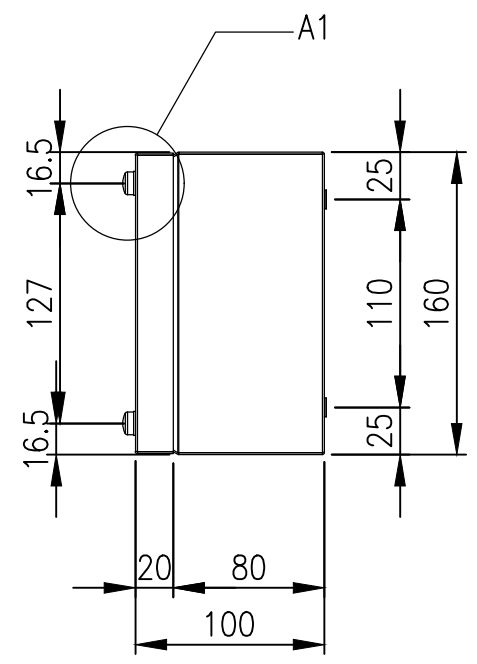
SECTION A-A



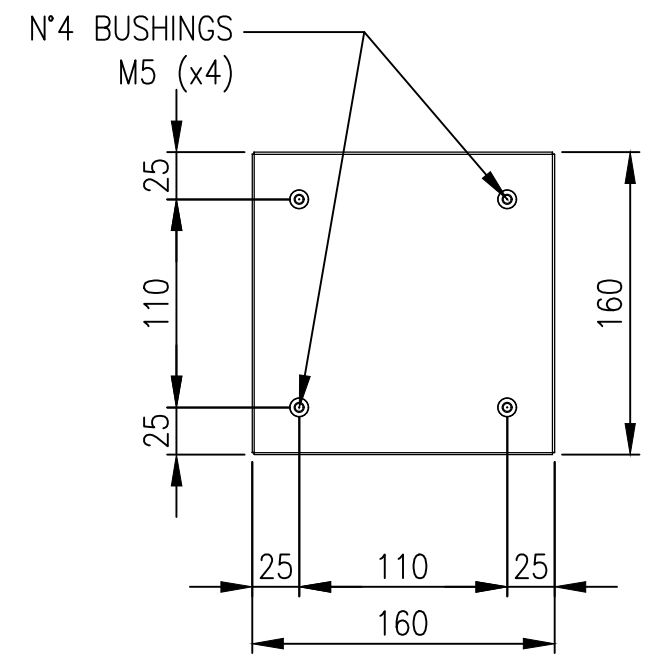
LEFT SIDE VIEW



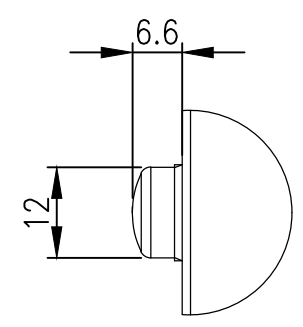
FRONT VIEW



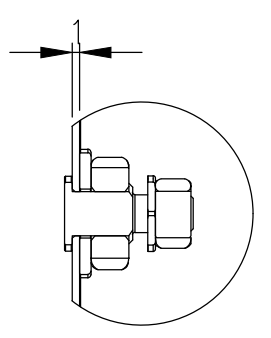
RIGHT SIDE VIEW



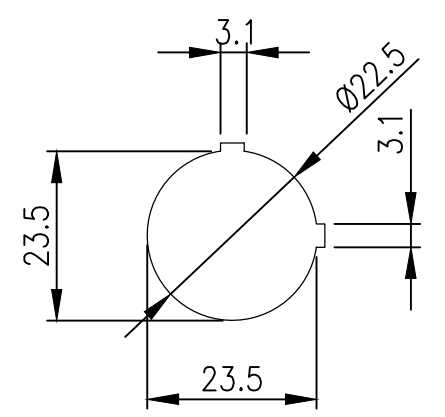
REAR VIEW



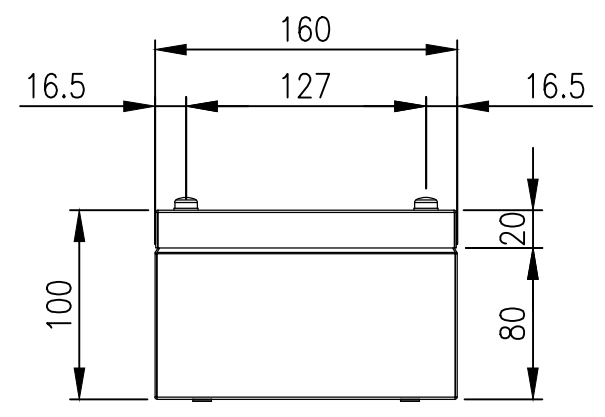
DETAIL A1



DETAIL A2



DETAIL A3



BOTTOM VIEW

**MATERIAL**  
 BODY: 1.0mm 304 STAINLESS STEEL  
 DOOR: 1.0mm 304 STAINLESS STEEL  
 SEAL: SILICONE

**PROTECTION:** IP66, IP67, NEMA4x,  
 UL 508A

© IP ENCLOSURES 2022.  
 THIS DRAWING SHALL NOT BE COPIED OR REPRODUCED  
 WITHOUT AUTHORISATION FROM IP ENCLOSURES.  
 www.ipenclosures.com.au

Itemref	Quantity	Title/Name, designation, material, dimension etc	Article No./Reference
IP	1	160x160x100 304SS PUSHBUTTON BOX	IP-304-P2X2
Designed by	Checked by	Approved by - date	Filename
IP	IP	27/07/22	IP-304-P2X2
Date	Scale	Edition	
27/05/22	1:4	0	Sheet
		1	1/1