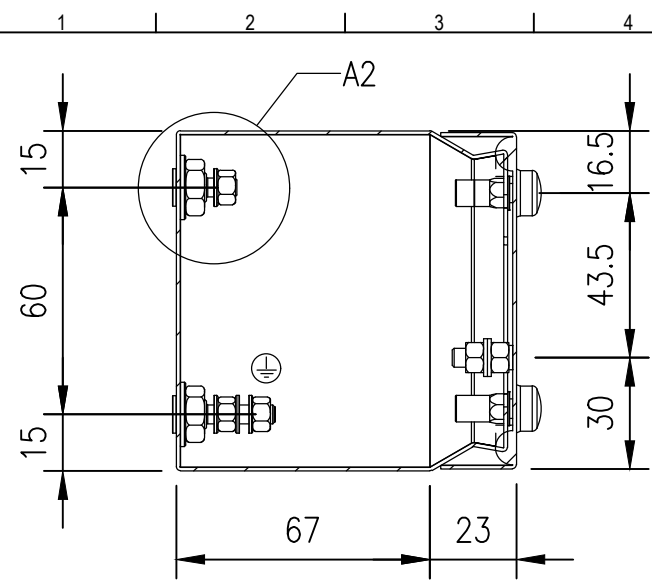
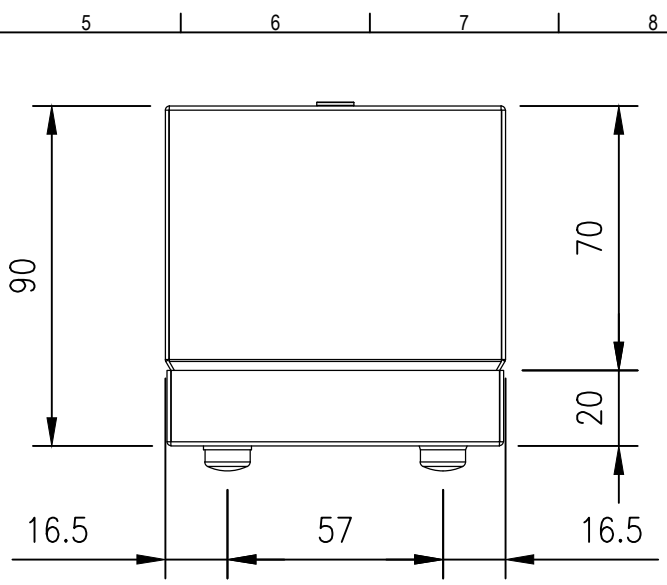


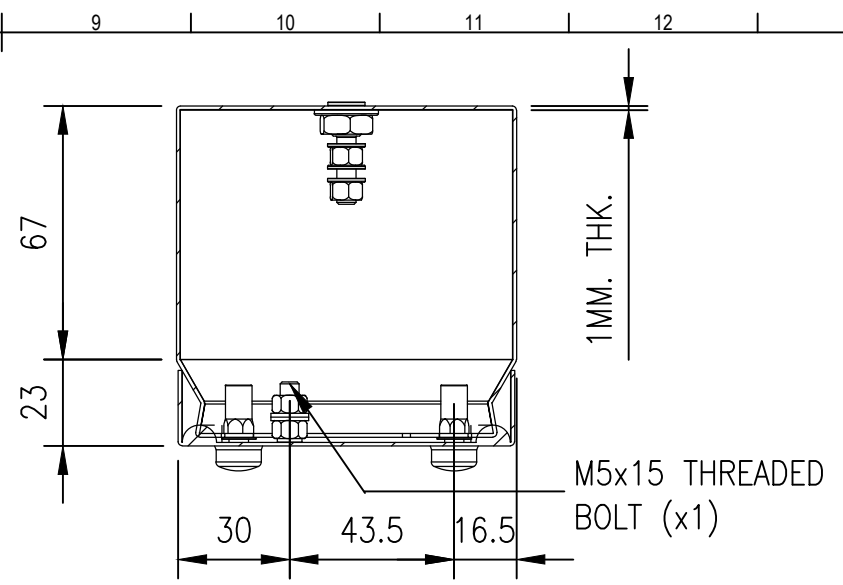
RevNo	Revision note	Date	Signature	Checked
0	GENERAL REVISION		IP	IP



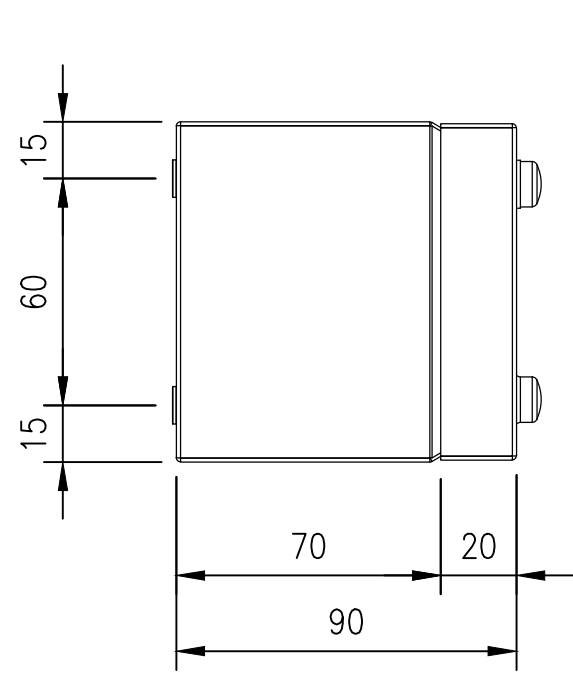
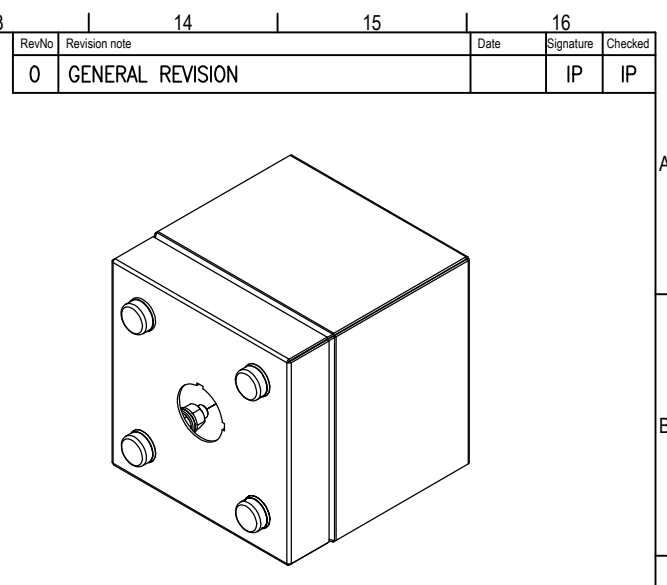
SECTION B-B



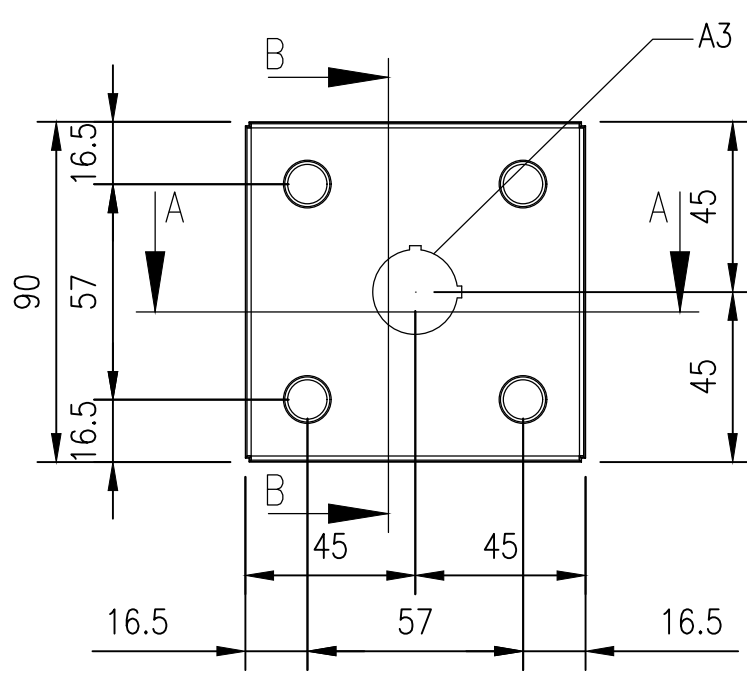
TOP VIEW



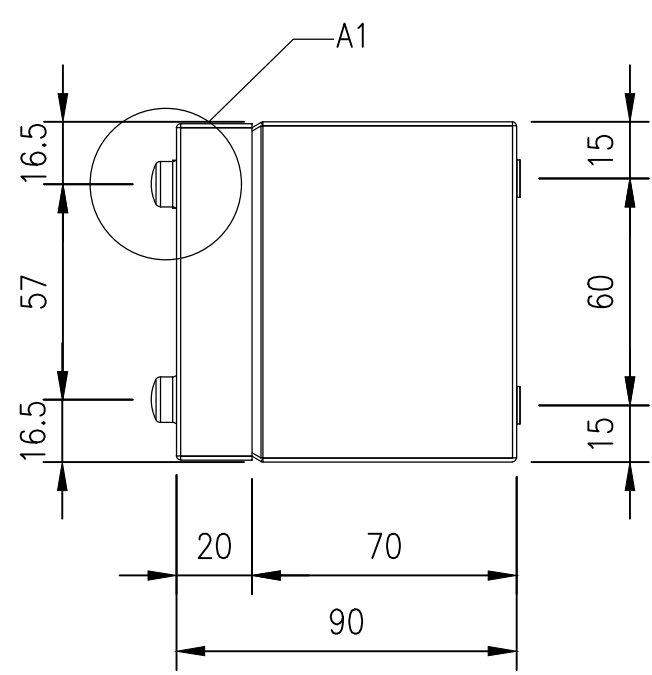
SECTION A-A



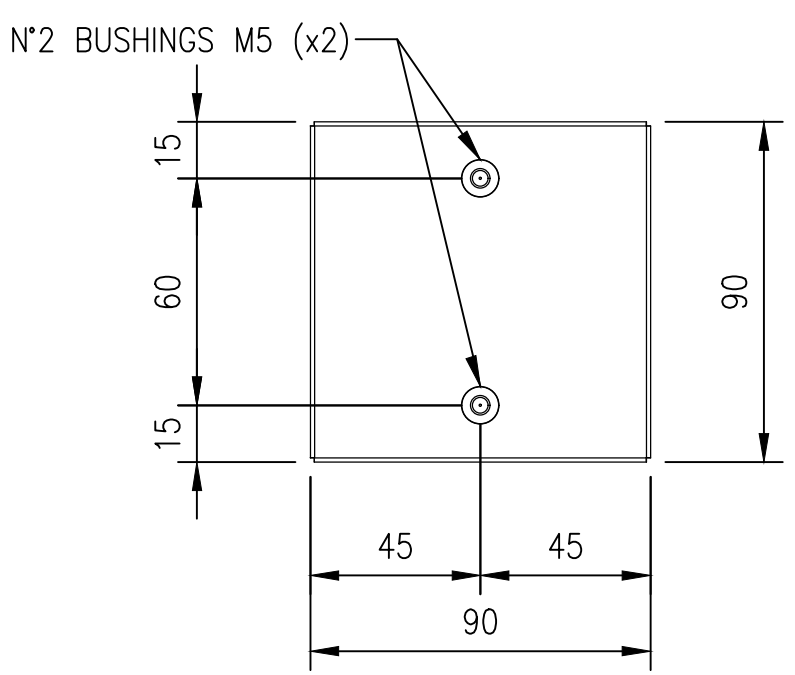
LEFT SIDE VIEW



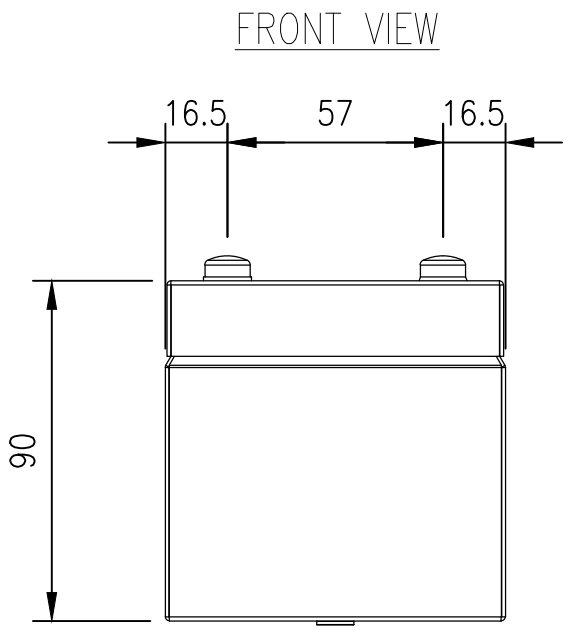
FRONT VIEW



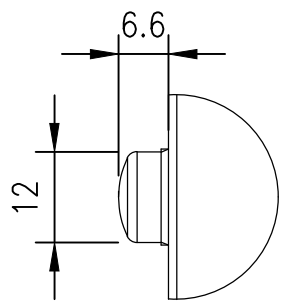
RIGHT SIDE VIEW



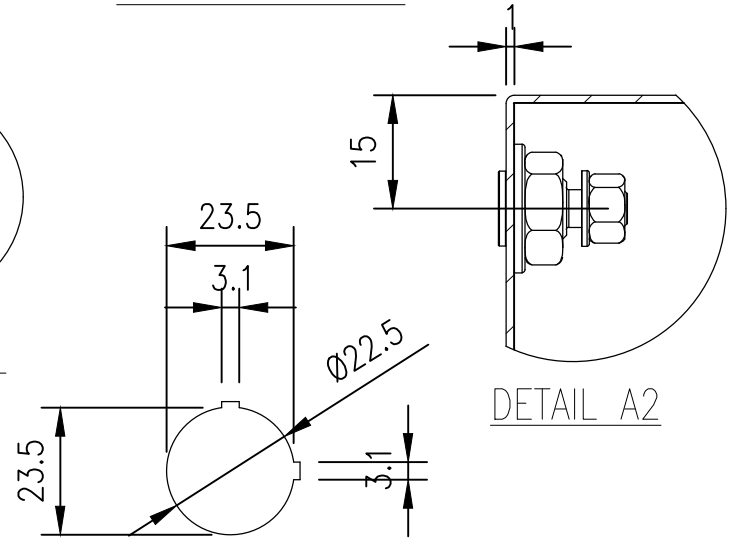
REAR VIEW



BOTTOM VIEW



DETAIL A1



DETAIL A3

MATERIAL
 BODY: 1.0mm 304 STAINLESS STEEL
 DOOR: 1.0mm 304 STAINLESS STEEL
 SEAL: SILICONE

PROTECTION: IP66, IP67, NEMA4x,
 UL 508A

© IP ENCLOSURES 2022.
 THIS DRAWING SHALL NOT BE COPIED OR REPRODUCED
 WITHOUT AUTHORISATION FROM IP ENCLOSURES.
 www.ipenclosures.com.au

Itemref	Quantity	Title/Name, designation, material, dimension etc	Article No./Reference
IP	1	90x90x90 304SS PUSHBUTTON BOX	IP-304-P1
Designed by	Checked by	Approved by - date	Filename
IP	IP	27/07/22	IP-304-P1
Date	Scale	Edition	
27/07/22	1:2	0	
Sheet			Sheet
1/1			1/1