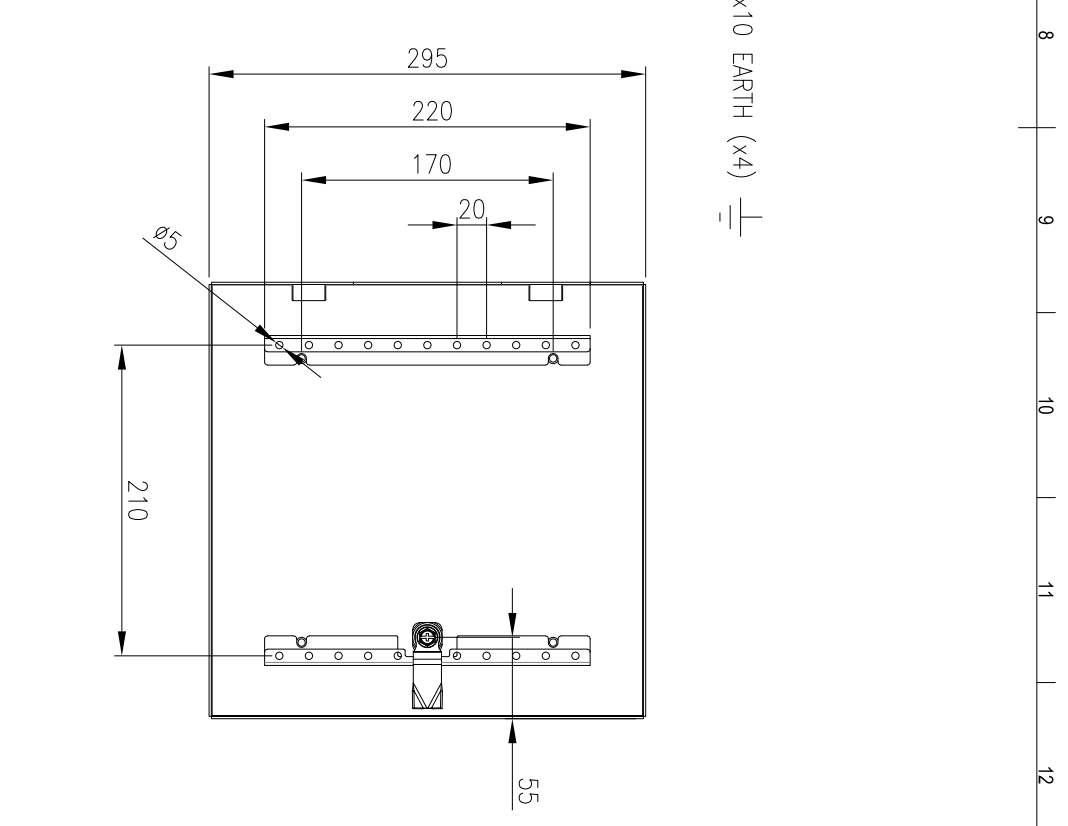
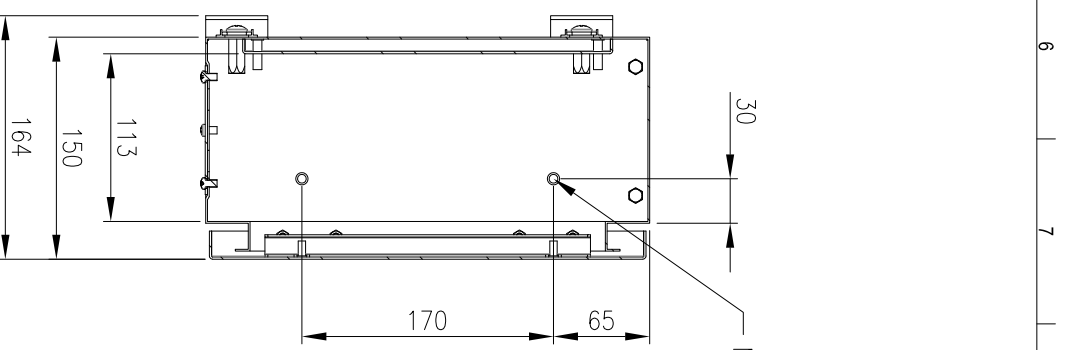
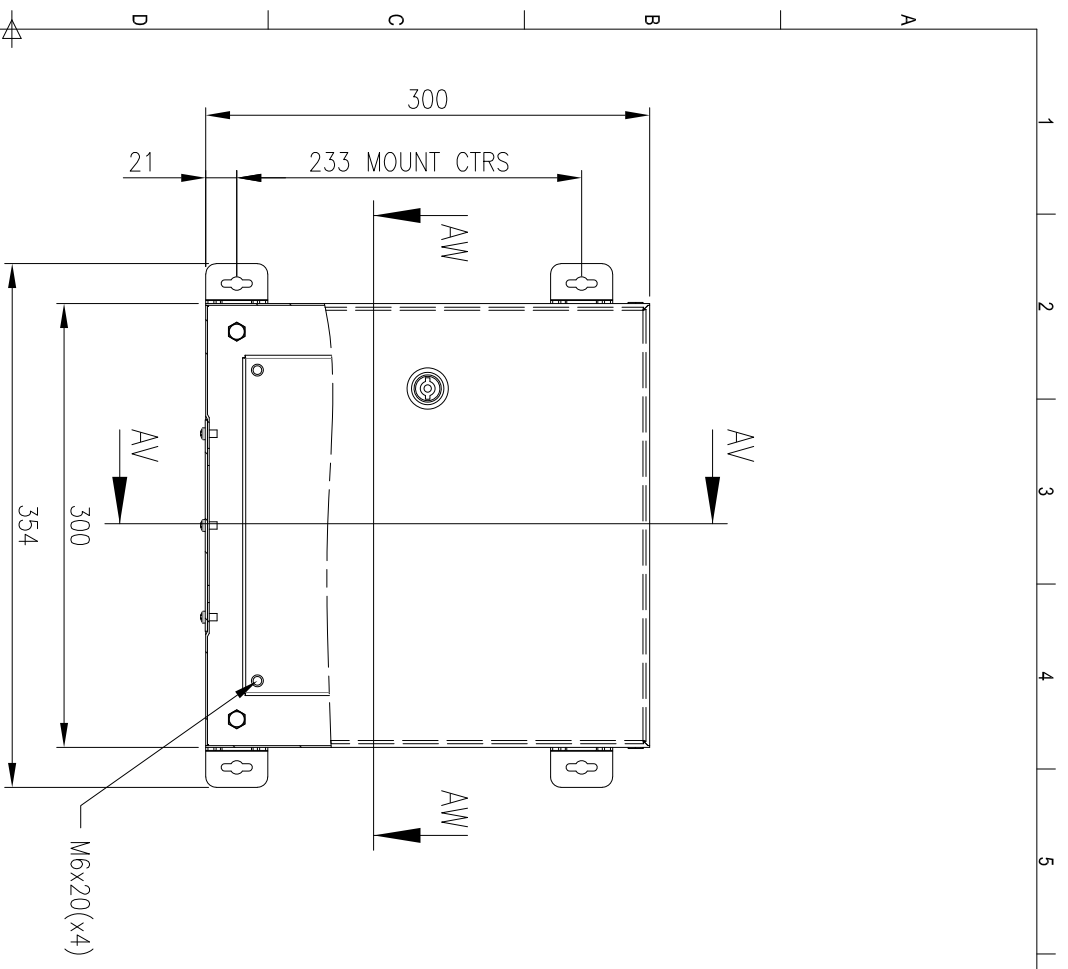


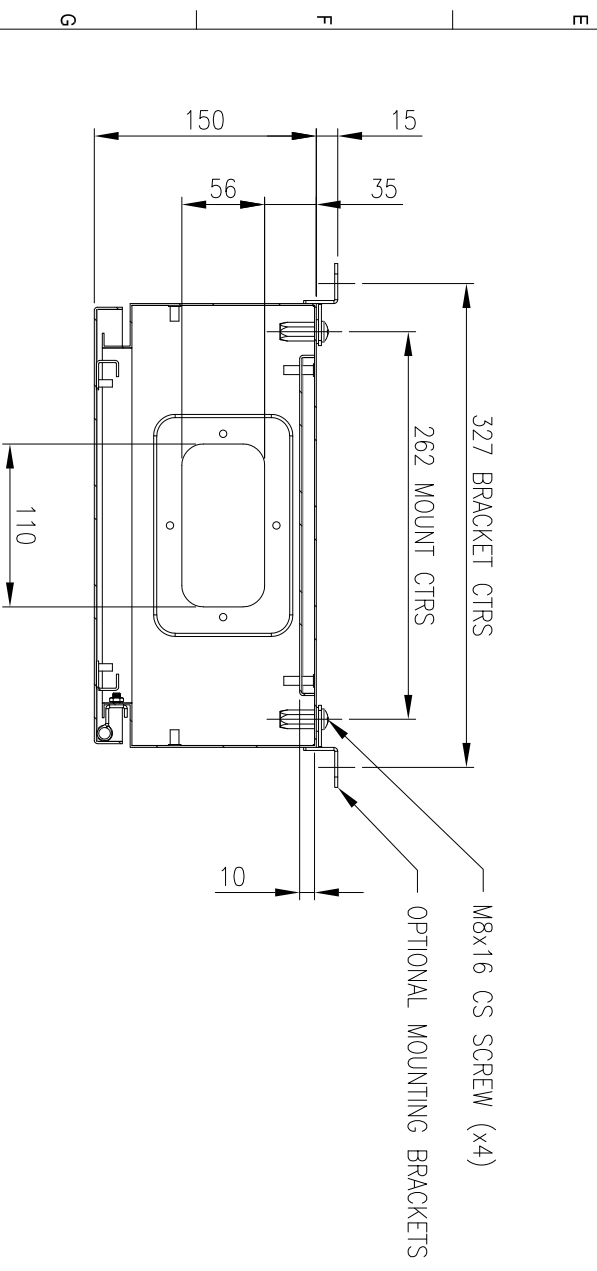
RevNo	Revision note	Date	Signature	Checked
2	GENERAL REVISION	9/7/19	IP	IP



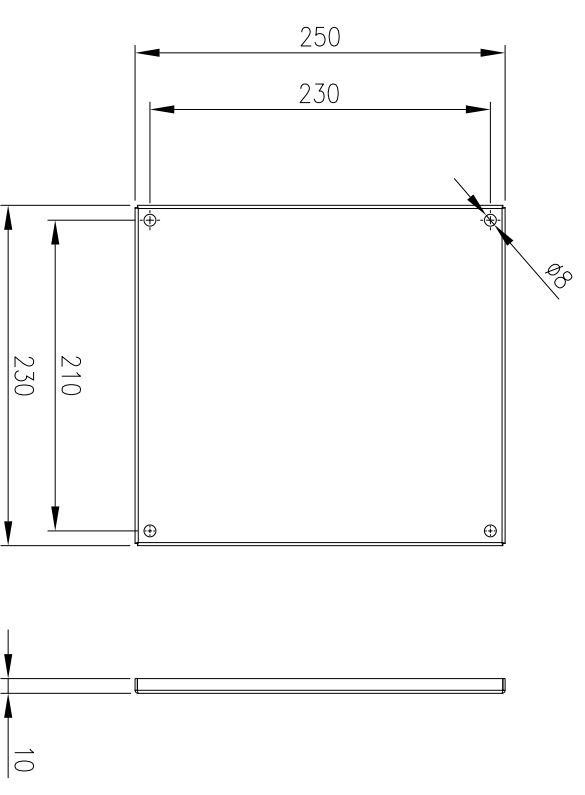
FRONT VIEW

SECTION AV-AV

INSIDE DOOR VIEW



SECTION AW-AW



DEVICE MOUNTING PLATE

**MATERIAL**  
 BODY: 1.2mm GALVANISED STEEL SHEET  
 DOOR: 1.5mm GALVANISED STEEL SHEET  
 DEVICE PLATE: 1.5mm GALVANISED STEEL SHEET  
 SEAL: POLYURETHANE  
 SURFACE TREATMENT: POWDER-COAT 80-120micron

MASS: 5.0kg  
 PROTECTION: IP66 IK10, NEMA4  
 STANDARD: IEC62208, IEC/EN/AS60529

© IP ENCLOSURES 2016.  
 THIS DRAWING SHALL NOT BE COPIED OR REPRODUCED  
 WITHOUT AUTHORISATION FROM IP ENCLOSURES.  
 www.ipenclosures.com.au

Item	Quantity	Part/Name, designation, material, dimension etc.	Article No./Reference	Scale
IP Enclosures				1:5
IP		File name: IP-300x150-01	Date: 17/10/16	
IP		Checked by: IP	Approved by: -date: 17/10/16	
		300x300x150 STEEL ENCLOSURE		
		IP-303015-01	2	1/1