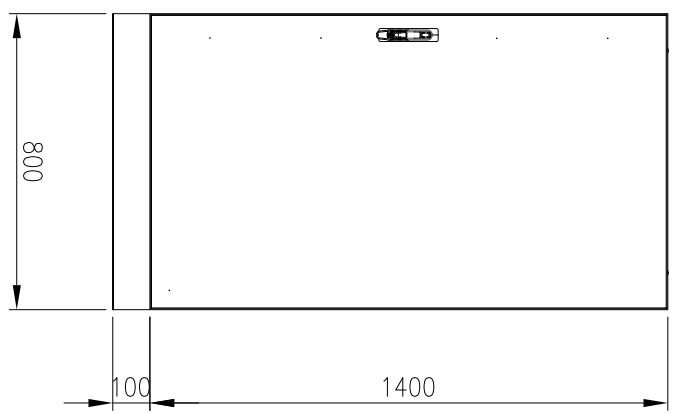
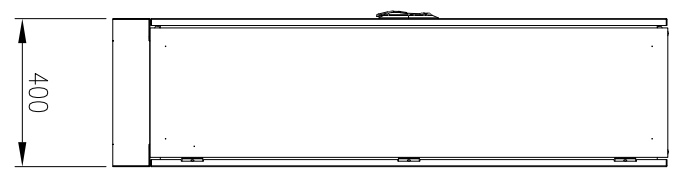


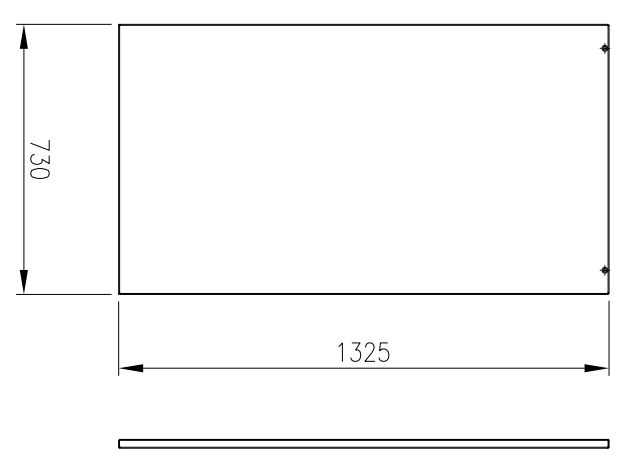
TOP VIEW



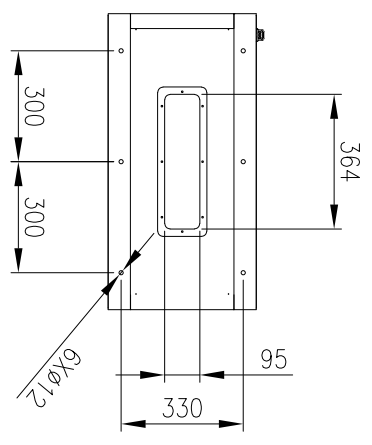
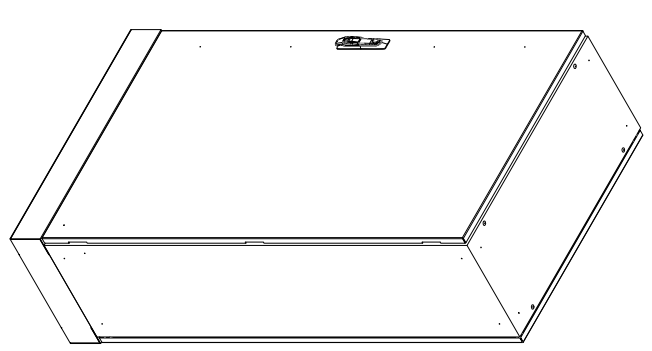
FRONT VIEW



SIDE VIEW



DEVICE MOUNTING PLATE



BOTTOM VIEW

**MATERIAL**  
 BODY: 1.5mm GALVANISED STEEL SHEET  
 DOOR: 1.5mm GALVANISED STEEL SHEET  
 DEVICE PLATE: 1.5mm GALVANISED STEEL SHEET  
 SEAL: POLYURETHANE  
 SURFACE TREATMENT: POWDER-COAT 80-120micron

**PROTECTION:** IP66 IK10, NEMA4  
**STANDARD:** IEC62208, IEC/EN/AS60529

© IP ENCLOSURES 2016.  
 THIS DRAWING SHALL NOT BE COPIED OR REPRODUCED  
 WITHOUT AUTHORISATION FROM IP ENCLOSURES.  
 www.ipenclosures.com.au

Item#	Quantity	TradeName, designation, material, dimension etc.	Article No./Reference	Scale
IP	1	1400 x 800 x 400 STEEL ENCLOSURE	IP-1408040	1:20
IP	1	1400 x 800 x 400 STEEL ENCLOSURE	IP-1408040	1:1

