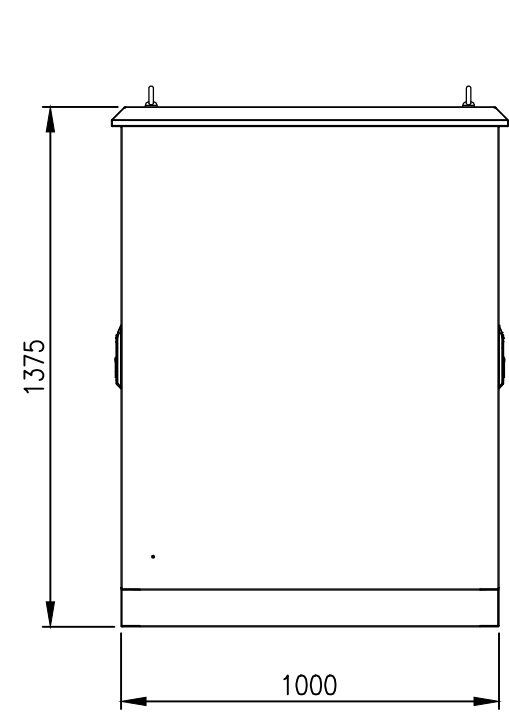
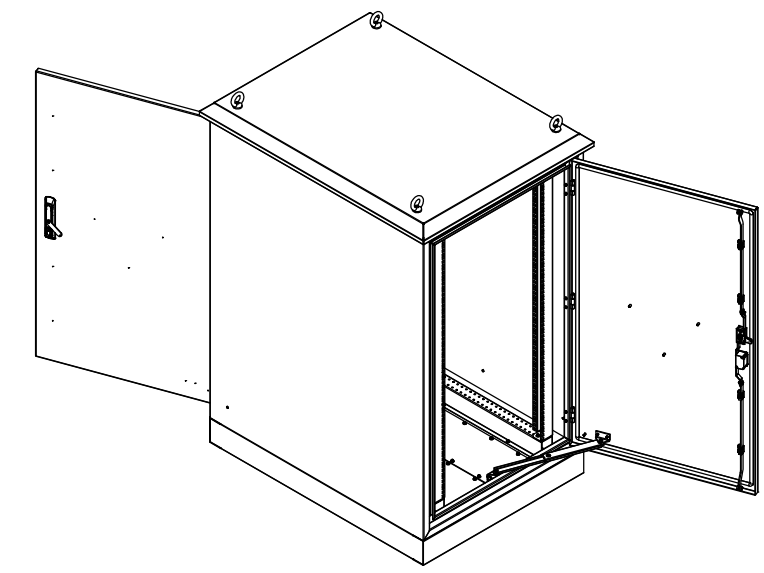
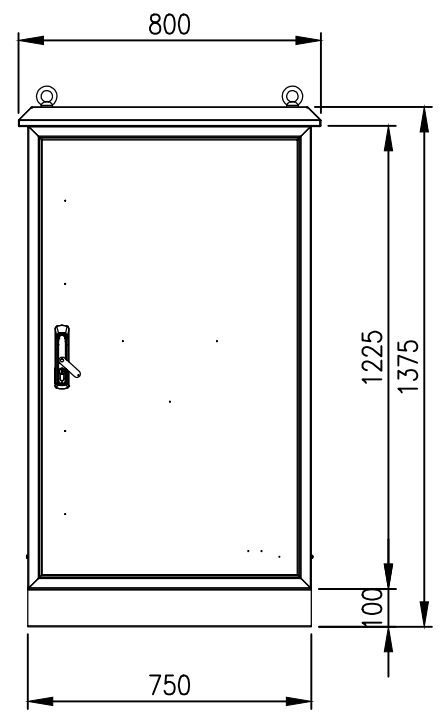


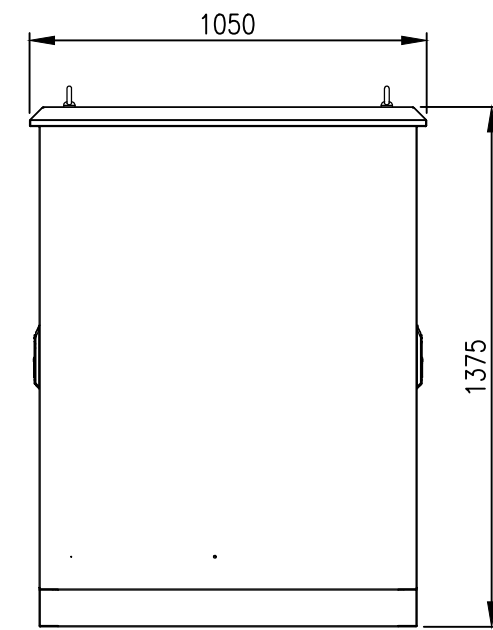
TOP VIEW



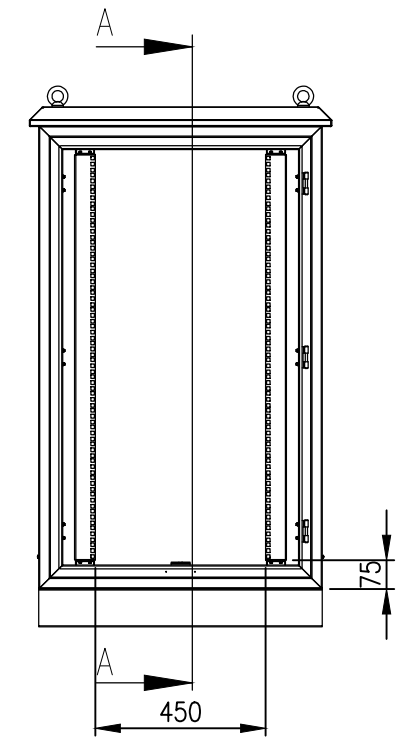
LEFT SIDE VIEW



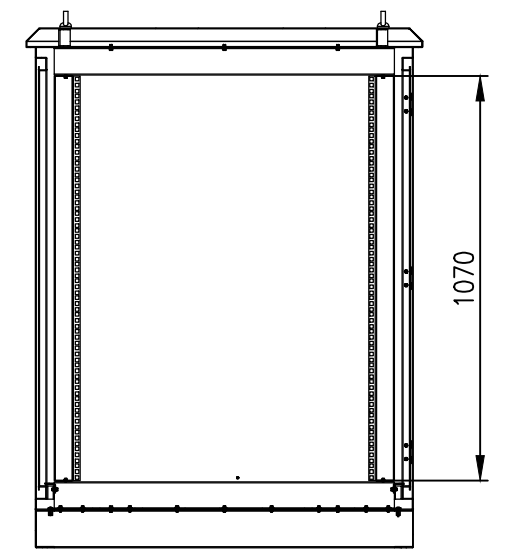
FRONT VIEW (ASSEMBLY)



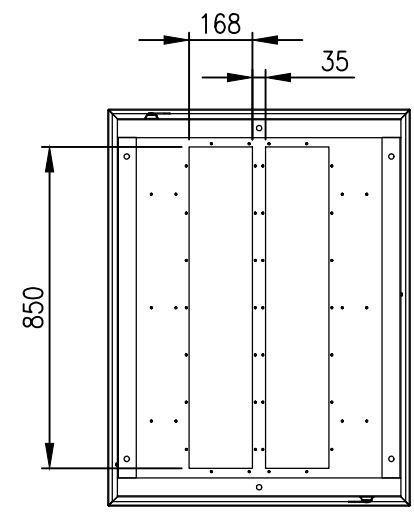
RIGHT SIDE VIEW



FRONT INTERIOR VIEW (DOOR REMOVED)



SECTION A-A



BOTTOM VIEW

MATERIAL
 BODY AND PLINTH: 2.0mm GALVANISED STEEL SHEET
 DOORS: 2.0mm GALVANISED STEEL SHEET
 19" DATA RAILS: 1.5mm GALVANISED STEEL SHEET
 SEAL: POLYURETHANE
 SURFACE TREATMENT: POWDER-COATED 80-120micron
 COLOUR: RAL7035 GREY, SMOOTH FINISH

PROTECTION: IP66
 STANDARD: IEC62208, IEC/EN/AS60529, EIA-310D

© IP ENCLOSURES 2023.
 THIS DRAWING SHALL NOT BE COPIED OR REPRODUCED
 WITHOUT AUTHORISATION FROM IP ENCLOSURES.
 www.ipenclosures.com.au

Itemref	Quantity	Title/Name, designation, material, dimension etc	Article No./Reference
Designed by	Checked by	Approved by - date	Filename
IP	IP	14/02/23	IP-13775100-0
Date	Scale		
14/02/23	1:20		
24RU CABINET 1375x750x1000 (NO VENTS)			
IP-13775100-0			
Edition			Sheet
0			1/1

