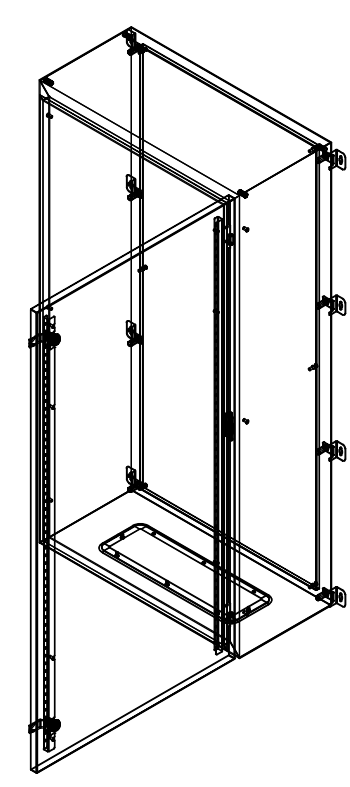
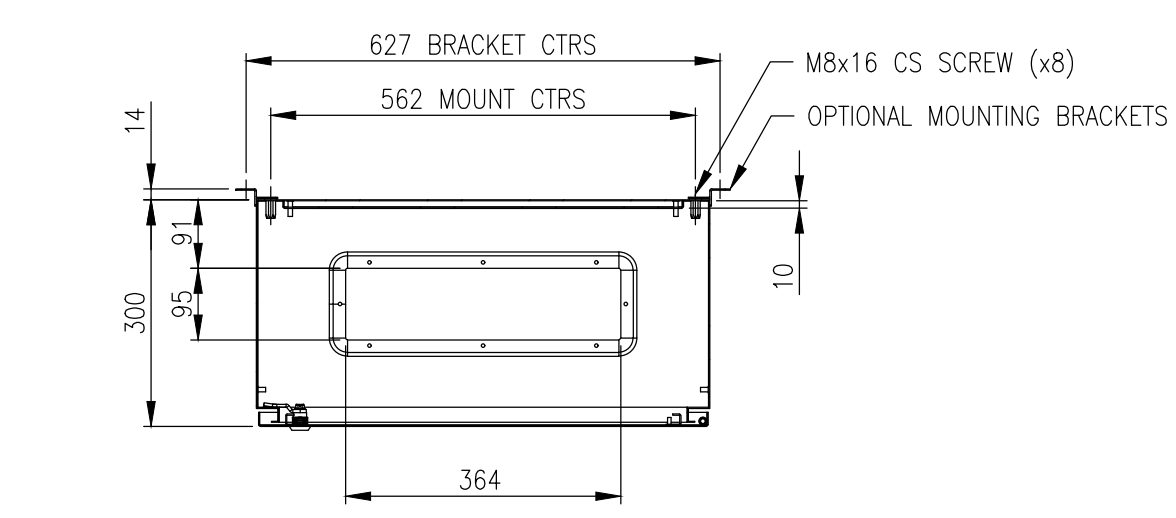
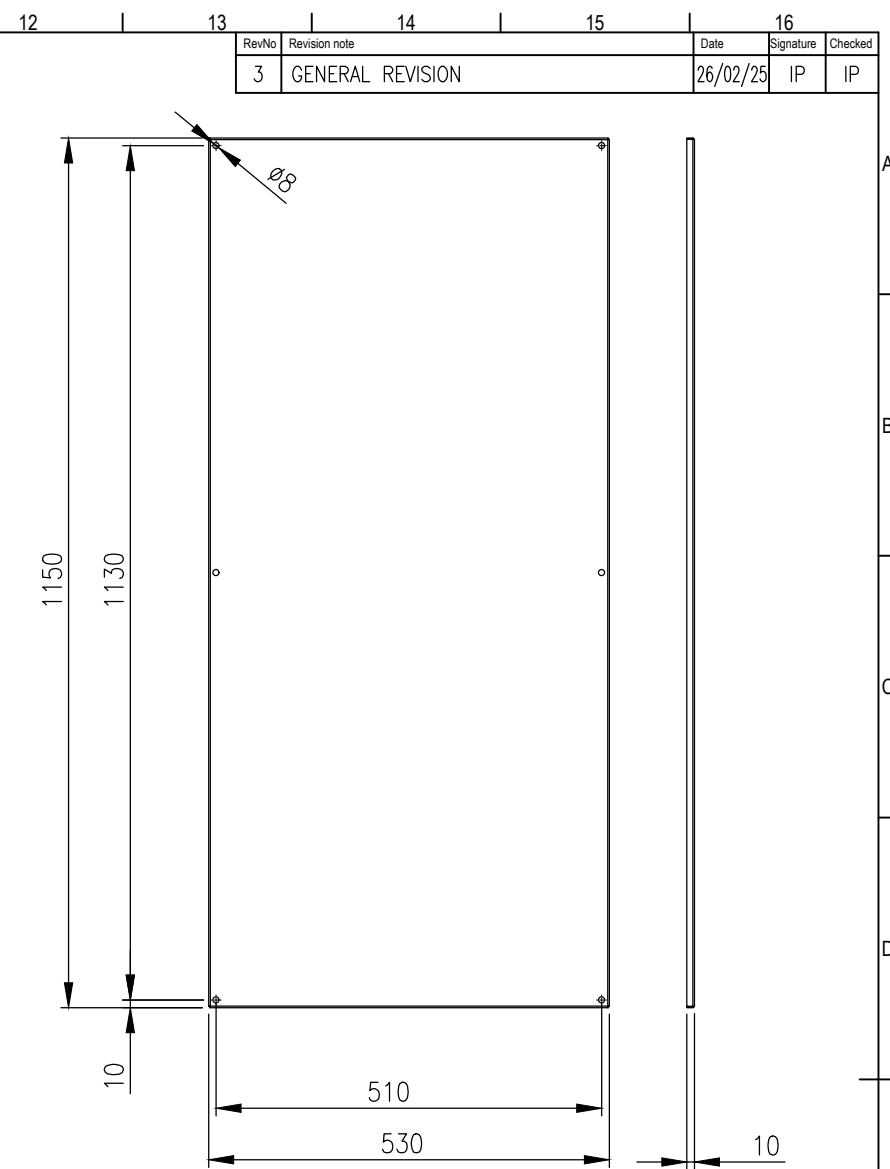
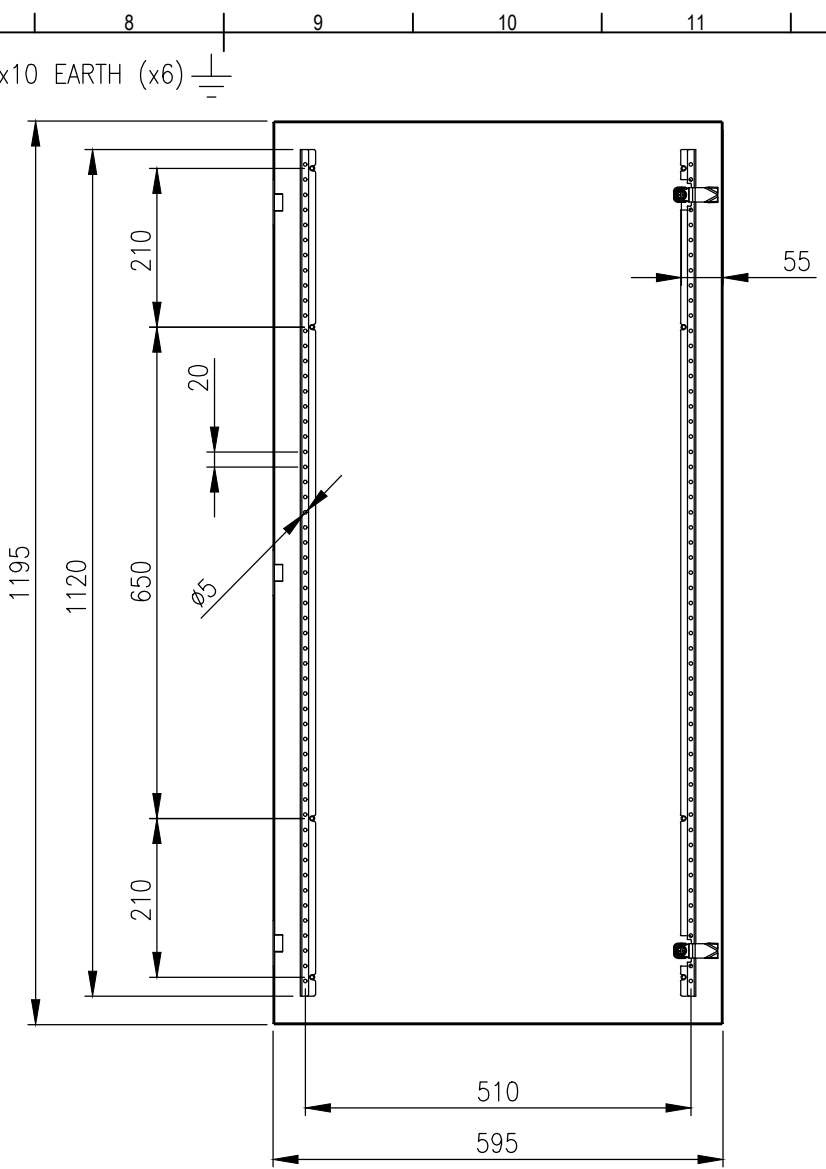
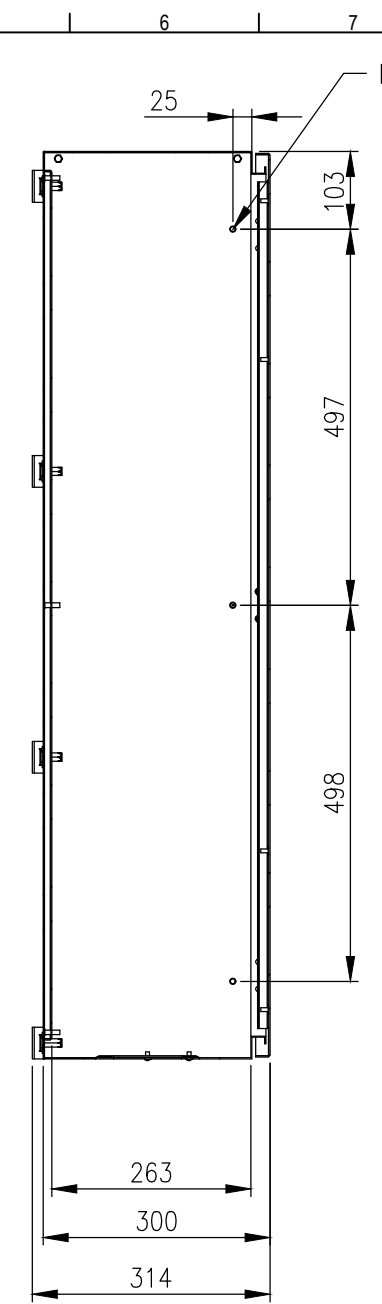
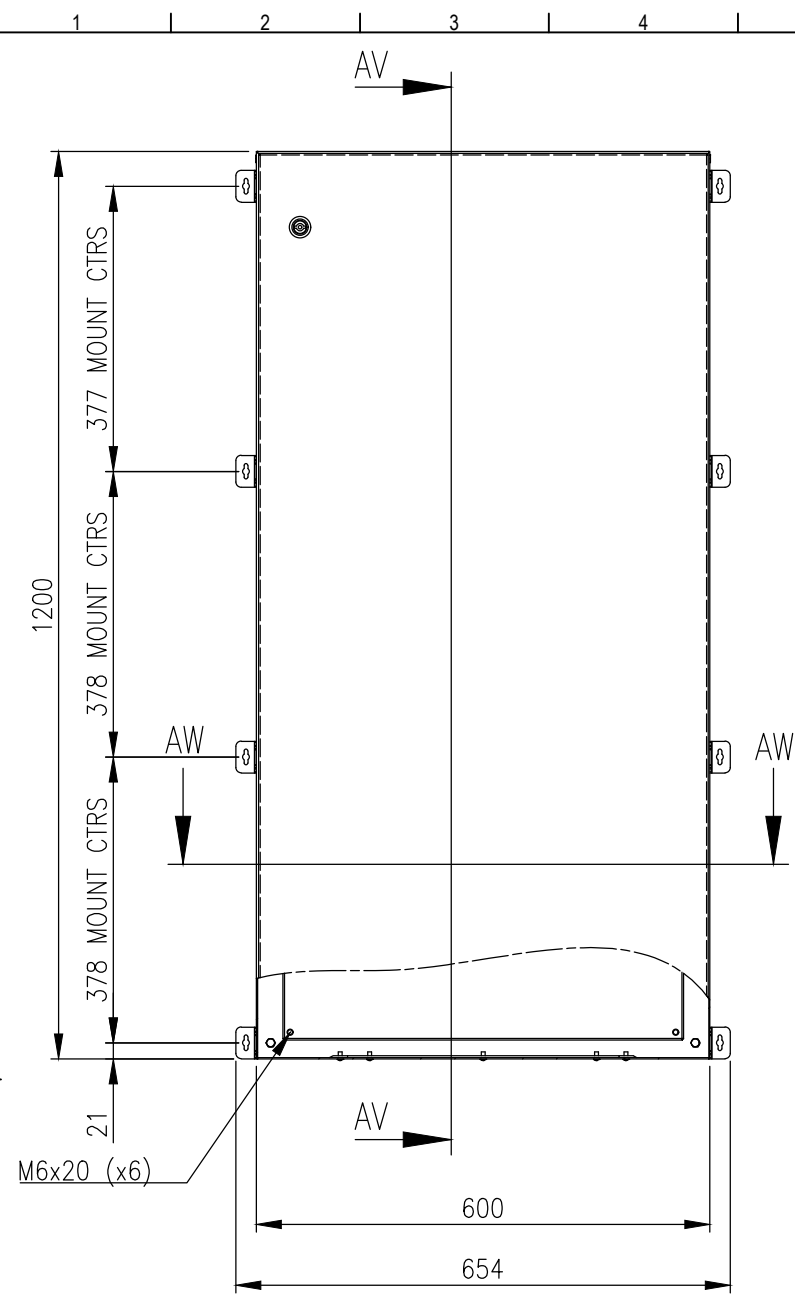


RevNo	Revision note	Date	Signature	Checked
3	GENERAL REVISION	26/02/25	IP	IP



MATERIAL
 BODY: 1.5mm GALVANISED STEEL SHEET
 DOOR: 1.5mm GALVANISED STEEL SHEET
 DEVICE PLATE: 1.5mm GALVANISED STEEL SHEET
 GLAND PLATE: 1.5mm GALVANISED STEEL SHEET
 SEAL: POLYURETHANE
 SURFACE TREATMENT: POWDER-COAT 80-120micron
 COLOUR: RAL7035 LIGHT GREY

MASS: 40.0Kg.

PROTECTION: IP66 IK10 (NEMA 4)
STANDARD: IEC/EN62208, IEC/EN/AS60529

© IP ENCLOSURES 2016.
 THIS DRAWING SHALL NOT BE COPIED OR REPRODUCED
 WITHOUT AUTHORISATION FROM IP ENCLOSURES.
 www.ipenclosures.com.au

IMPORTANT NOTE:		Itemref	Quantity	Title/Name, designation, material, dimension etc		Article No./Reference	
WALL MOUNTING BRACKETS ARE NOT INCLUDED AND MUST BE ORDERED SEPARATELY.		Designed by IP	Checked by IP	Approved by - date 17/10/16	Filename IP-1206030	Date 17/10/16	Scale 1:10
IP Enclosures						1200x600x300 STEEL ENCLOSURE	
IP-1206030						Edition 3	Sheet 1/1