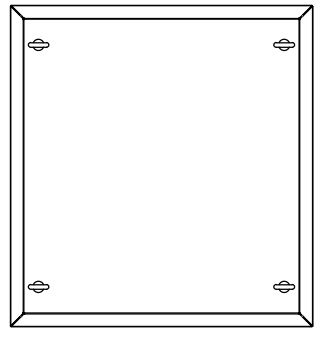
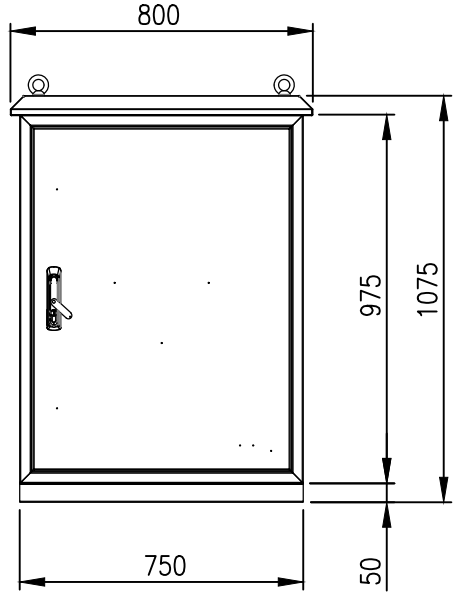


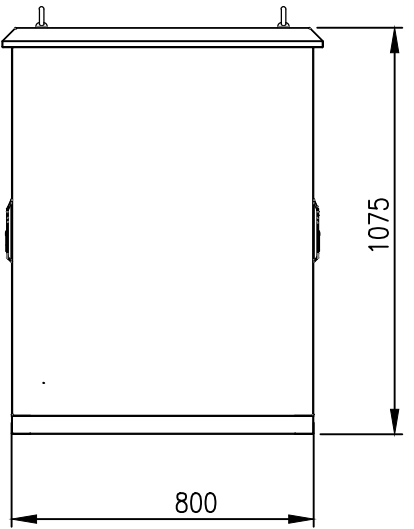
| RevNo | Revision note | Date | Signature | Checked |
|-------|------------------|----------|-----------|---------|
| 1 | GENERAL REVISION | 18/01/23 | IP | IP |



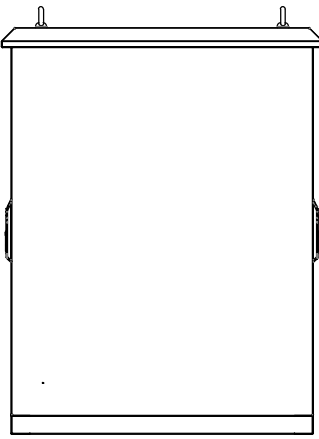
TOP VIEW



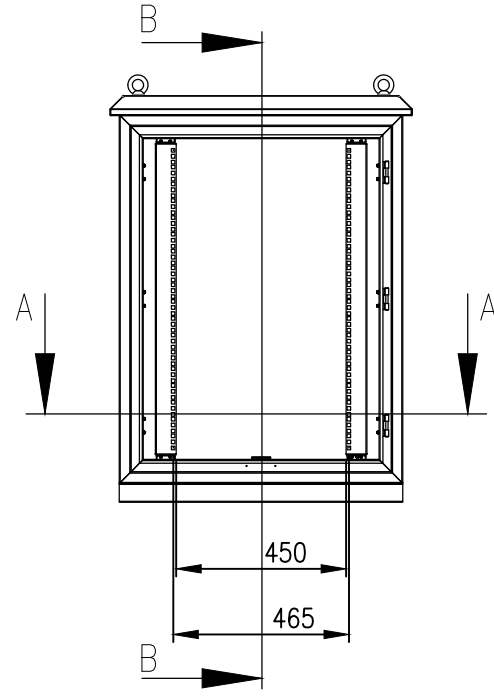
FRONT VIEW (ASSEMBLY)



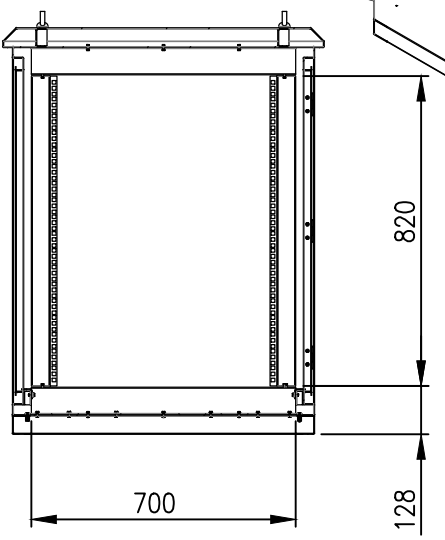
SIDE VIEW



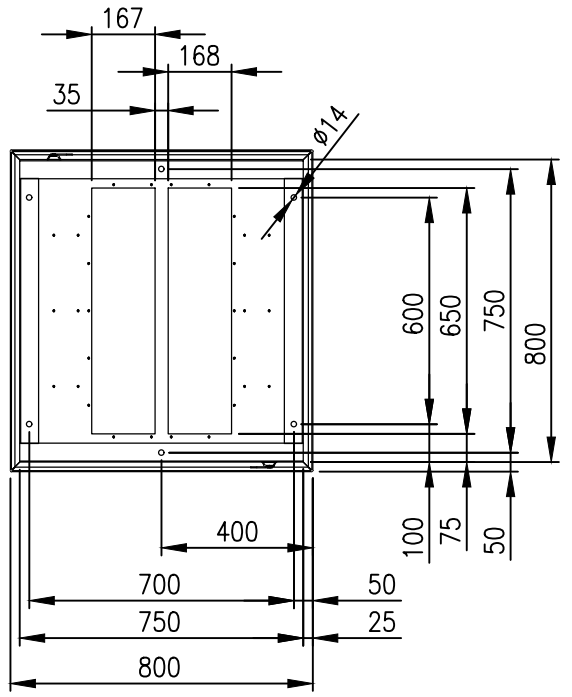
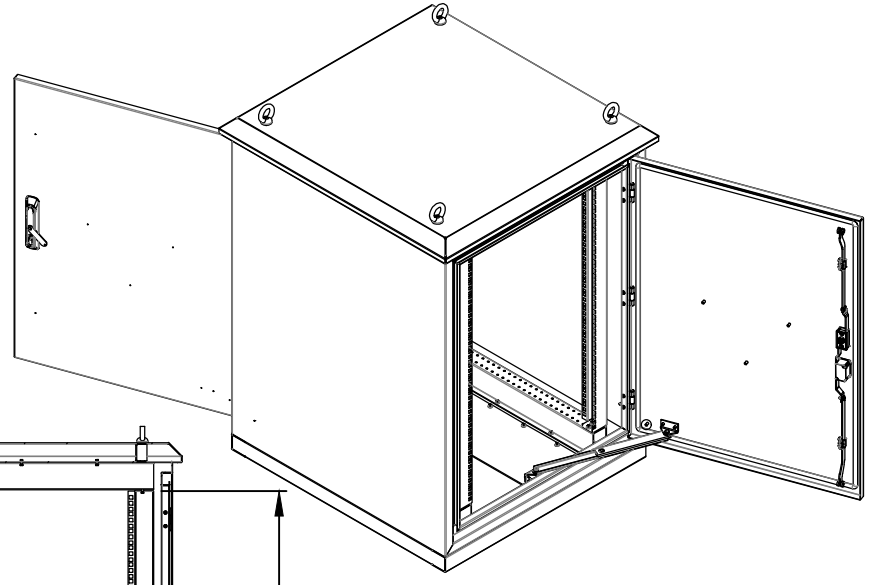
SIDE VIEW



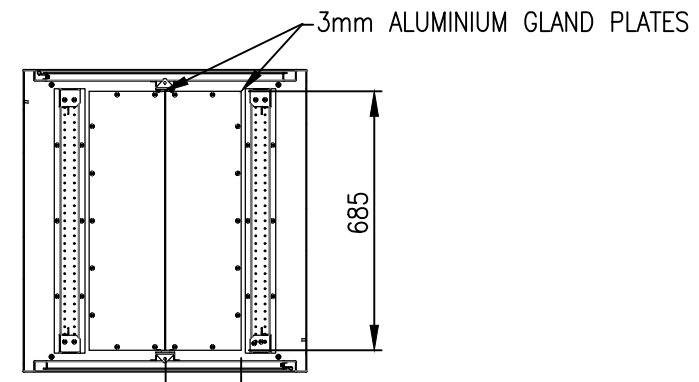
FRONT VIEW (FRONT DOOR REMOVED)



SECTION B-B



BOTTOM VIEW



SECTION A-A

MATERIAL
 BODY AND PLINTH: 2.0mm GALVANISED STEEL SHEET
 DOORS: 2.0mm POWDERCOATED GALVANISED SHEET
 19" DATA RAILS: 1.5mm GALVANISED STEEL SHEET
 SEAL: POLYURETHANE
 SURFACE TREATMENT: POWDER-COAT 80-120micron
 COLOUR: RAL7035 LIGHT GREY, SMOOTH FINISH

PROTECTION: IP66 (EXCLUDING FANS/FILTER CUTOUTS)
 STANDARD: IEC62208, IEC/EN/AS60529, EIA-310D

© IP ENCLOSURES 2017.
 THIS DRAWING SHALL NOT BE COPIED OR REPRODUCED
 WITHOUT AUTHORISATION FROM IP ENCLOSURES.
 www.ipenclosures.com.au

| Itemref | Quantity | Title/Name, designation, material, dimension etc | Article No./Reference |
|-------------------|------------------|--|------------------------------------|
| Designed by IP | Checked by IP | Approved by - date 05/06/19 | Filename IP-1077580-0 |
| | | Date 05/06/19 | Scale 1:20 |
| | | | 18RU CABINET 1075x750x800 NO-VENTS |
| IP-1077580-0 | | | Edition 1 |
| | | | Sheet 1/1 |