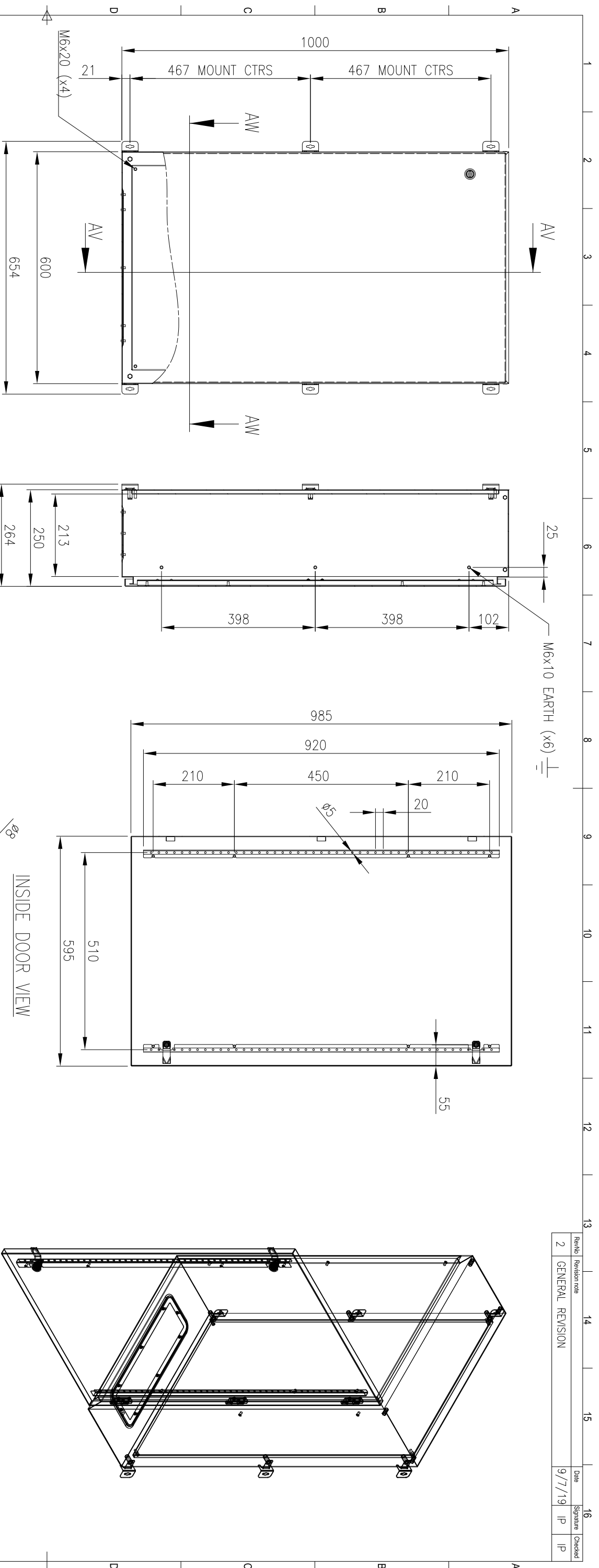


RevNo	Revision note	Date	Signature	Checked
2	GENERAL REVISION	9/7/19	IP	IP

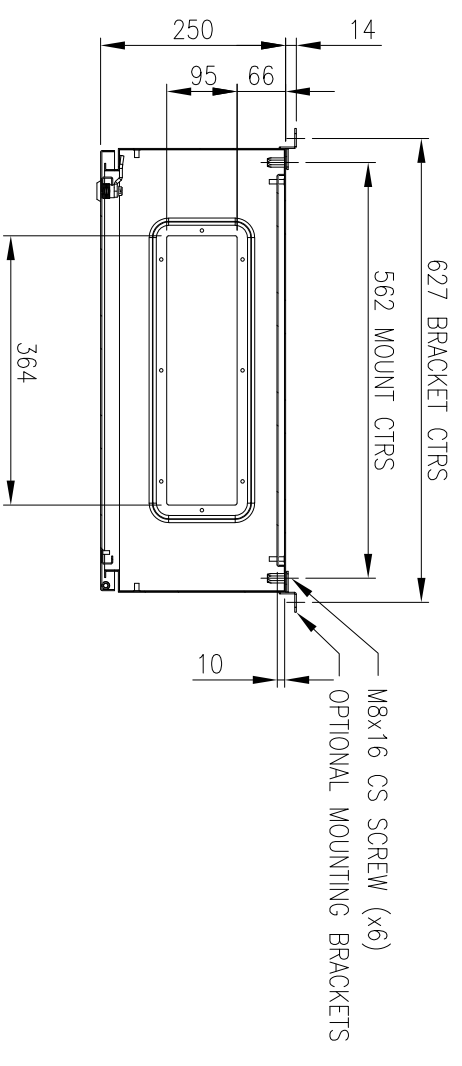


FRONT VIEW

SECTION AV-AV

INSIDE DOOR VIEW

SECTION AW-AW



MATERIAL
 BODY: 1.5mm GALVANISED STEEL SHEET
 DOOR: 1.5mm GALVANISED STEEL SHEET
 DEVICE PLATE: 1.5mm GALVANISED STEEL SHEET
 SEAL: POLYURETHANE
 SURFACE TREATMENT: POWDER-COAT 80-120micron

MASS: 31.5kg

PROTECTION: IP66 IK10, NEMA4
 STANDARD: IEC62208, IEC/EN/AS60529

© IP ENCLOSURES 2016.
 THIS DRAWING SHALL NOT BE COPIED OR REPRODUCED
 WITHOUT AUTHORISATION FROM IP ENCLOSURES.
 www.ipenclosures.com.au

Item#	Quantity	TradeName, designation, material, dimension etc.	Article No./Reference	Scale
IP		File name	17/10/16	1:10
IP		IP-1006025-01		
IP		1000x600x250 STEEL ENCLOSURE		
IP		IP-1006025-01		
IP Enclosures			2	1/1